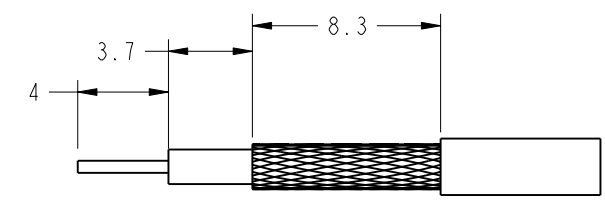
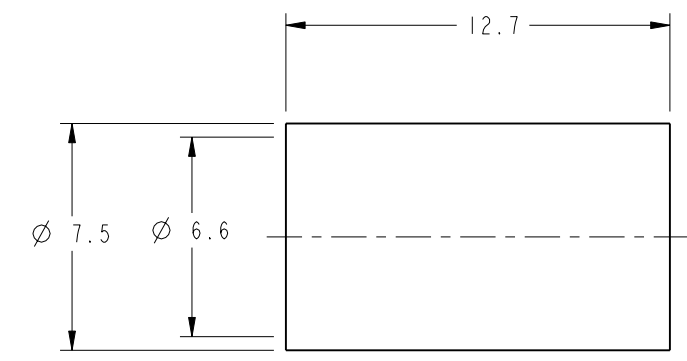
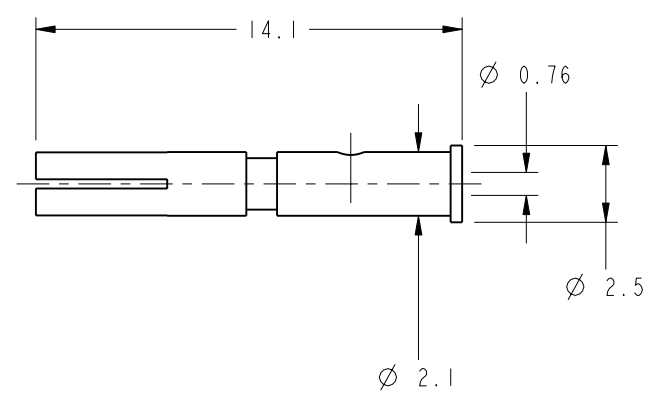
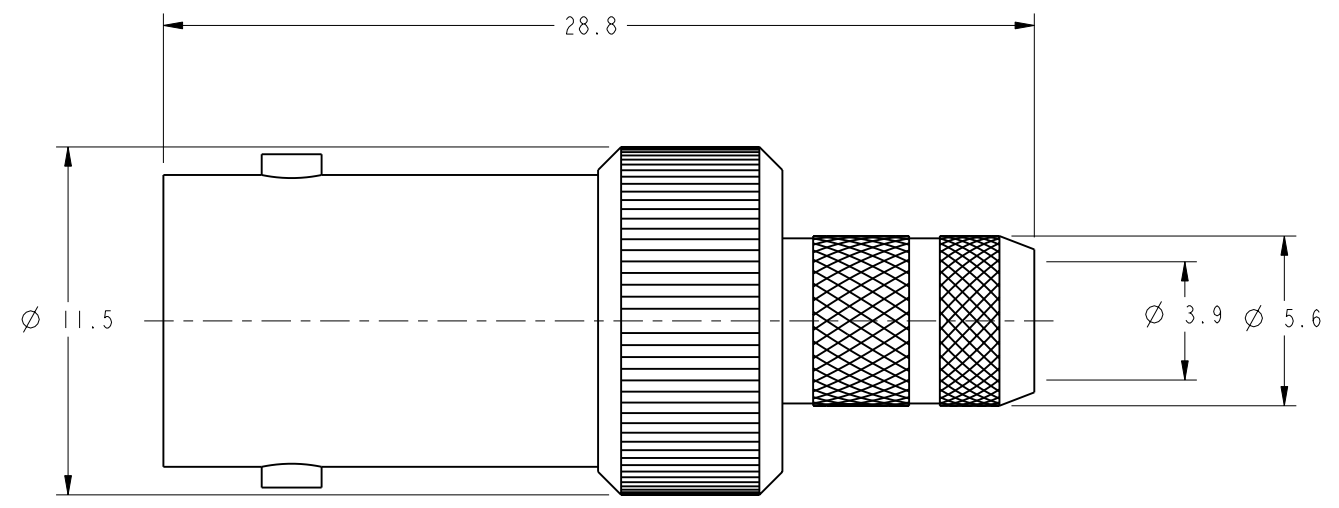


- NOTES:
- MATERIALS AND FINISHES:
 BODY, FERRULE & HOUSING - BRASS (ASTM-B16-H02 C36000), NICKEL PLATING (.000100 MIN THICK)
 CONTACT - PHOSPHOR BRONZE (Q0-B-750), GOLD PLATING (.000003 THICK) OVER NICKEL (.000100 MIN)
 INSULATOR - PTFE PER ASTM D 1710 OR EQUIV.
 - ELECTRICAL:
 A. IMPEDANCE: 50 OHM
 B. FREQUENCY RANGE: DC - 1 GHz
 C. DIELECTRIC WITHSTANDING VOLTAGE: 1,500 VRMS, MIN.
 - MECHANICAL:
 A. TEMPERATURE RANGE: -65° C TO +165° C
 - PACKAGING:
 A. QUANTITY: SINGLE PACK
 B. MARKING: BAG TO BE MARKED
 "AMPHENOL, 31-328-RFX, AND DATE CODE"
 - ASSEMBLY:
 A) TRIM CABLE AS SHOWN.
 B) SOLDER CENTER CONTACT
 C) CRIMP OUTER FERRULE USING .255" HEX DIE

31-328-RFX		REVISIONS			
DRAWING NO.	REV	DESCRIPTION	DATE	ECO	APPR
THIRD ANGLE PROJ.	A	RELEASE TO MFG.	11/4/05	45764	CPM



SCALE 3.000

CUSTOMER OUTLINE DRAWING
 ALL OTHER SHEETS ARE FOR INTERNAL USE ONLY

UNLESS OTHERWISE SPECIFIED, DIMENSIONS ARE IN MM (INCHES) AND TOLERANCES ARE: 0.5 - 6mm ±0.2mm 6 - 30mm ±0.4mm 30 - 120mm ±0.6mm	MATERIAL	DRAWN C. McGRATH	DATE 04-Oct-05	TITLE BNC CRIMP JACK RG- 59 CABLE	Amphenol Amphenol Corporation Communication and Network Products Division Danbury, CT U.S.A. 06810
	REFERENCE	ENGINEER O. BARTHELMS	DATE 04-Oct-05	APPROVED O. BARTHELMS	
NOTICE - These drawings, specifications, or other data (1) are, and remain the property of Amphenol Corp. (2) must be returned upon request; and (3) are confidential and not to be disclosed to any person other than those to whom they are given by Amphenol Corp. The furnishing of these drawings, specifications, or other data by Amphenol Corp., or to any other person to anyone for any purpose is not to be regarded by implication or otherwise in any manner licensing, granting rights or permitting such holder or any other person to manufacture, use or sell any product, process or design, patented or otherwise, that may in any way be related to or disclosed by said drawings, specifications, or other data.		CAD FILE I:\BNC\31-328-RFX	DATE 11/4/05	CODE ID 74868	DWG SIZE B
			DRAWING NO. 31-328-RFX	REV A	SCALE: 4.0:1 SHEET 2 OF 2