

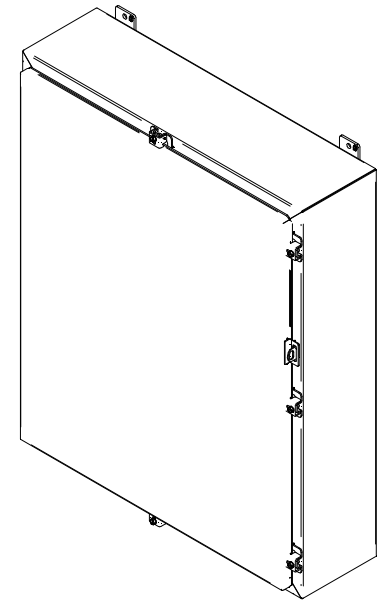
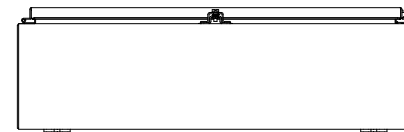
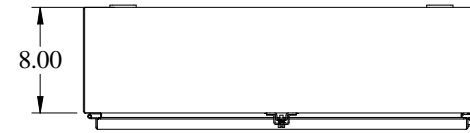
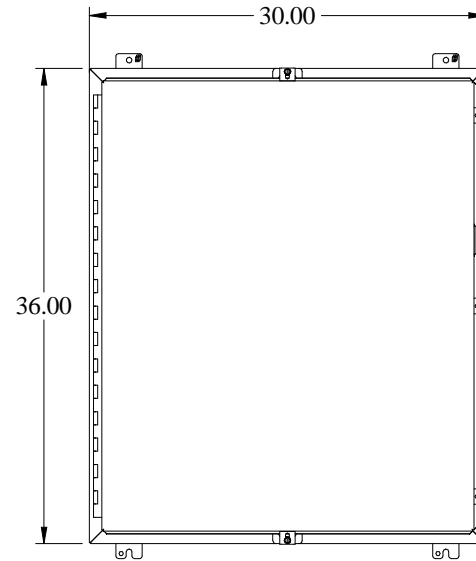
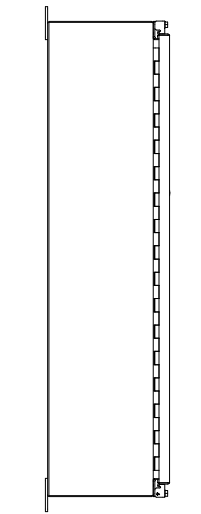
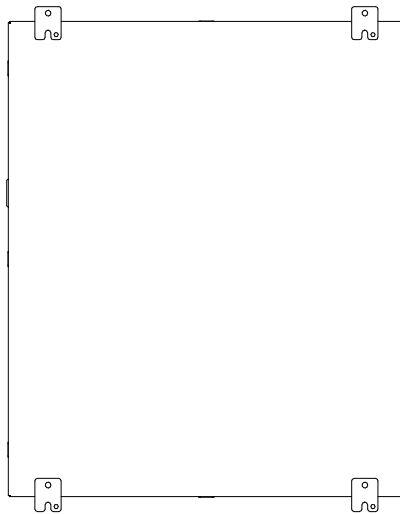
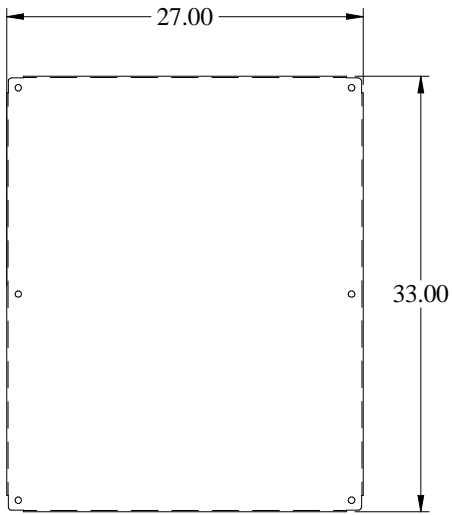


PART No. 1418N4ALM8

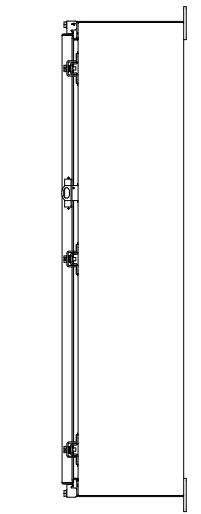
for more information visit
www.hammfg.com

Data subject to change without notice

Isometric drawing Not to Scale



ISOMETRIC VIEW



RIGHT SIDE VIEW