

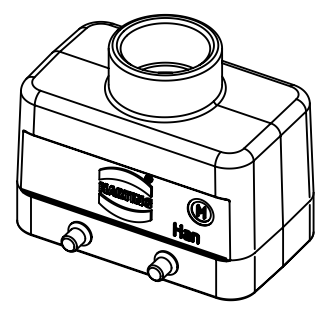
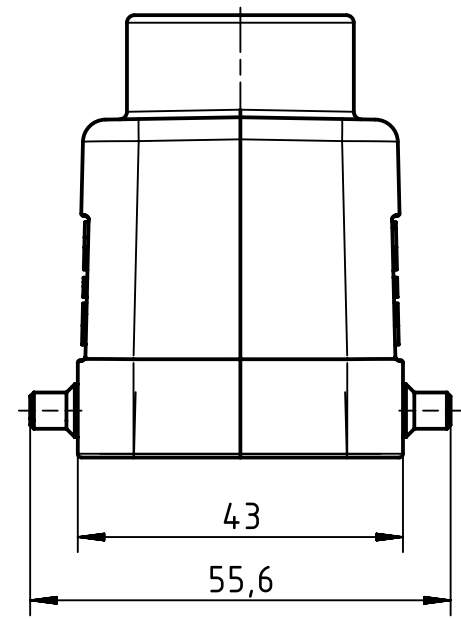
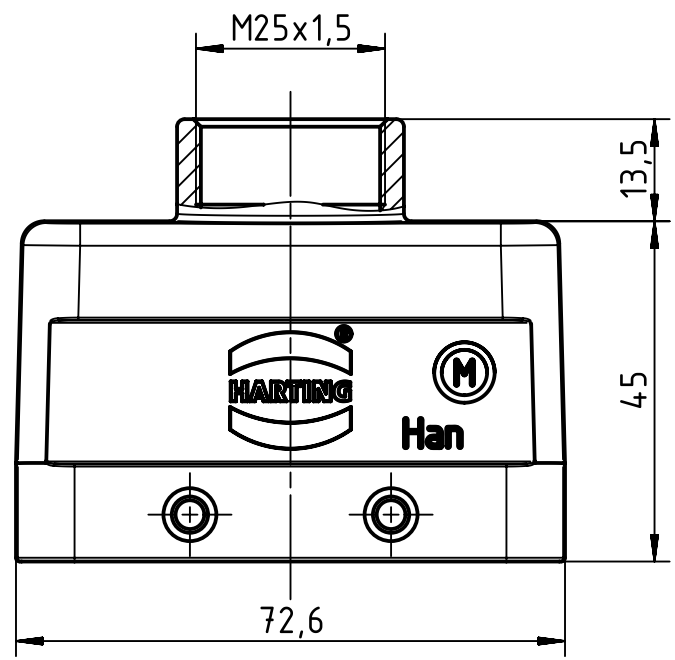
1 2 3 4 5 6

A

B

C

D



|  |   |  |  |                          |                             |  |                        |
|--|---|--|--|--------------------------|-----------------------------|--|------------------------|
|  | All Dimensions in mm<br>Original Size DIN A4        |  | Scale<br>1:1                             | Free size tol.           |                             | Ref.   |                        |
|  |   |  |  |                          |                             | Sub.   |                        |
|  | All rights reserved<br>Department EL PD - DE        |  | Created by<br>RULLKOETTER                | Inspected by<br>BERGHORN | Standardisation<br>TIEMANNA | Date<br>2013-08-14                                       | State<br>Final Release |
|  | HARTING Electric GmbH & Co. KG<br>D-32339 Espelkamp |  | Title<br>Han EMC/B 10 Hood Top Entry M25 |                          |                             | Doc-Key / ECM-Nr.<br>100192202/UGD/004/A<br>500000065375 |                        |
|  |   |  | Type<br>TB                               | Number<br>19 62 810 1421 |                             | Rev.<br>A  | Page<br>1/1            |