

LOC	DIST	REVISIONS					
A	00	P	LTR	DESCRIPTION	DATE	DWN	APVD
		E1		ECR-13-007291	5-2013	MY	GB


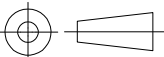
SEE PRODUCTION DRAWING
 566397

RELEASED FOR PUBLICATION

ALL RIGHTS RESERVED.

THIS DRAWING IS UNPUBLISHED.

© COPYRIGHT - By -

DIMENSIONS: INCHES	DWN	M.YOUNGER	30APR2013	MATERIAL	-	FINISH	-	
	CHK	T.ELBIN	5-2013	 TE Connectivity				
TOLERANCES UNLESS OTHERWISE SPECIFIED:	APVD	T,ELBIN	5-2013					
0 PLC ± -	PRODUCT SPEC	NAME EF THRU SPLICE APPL						
1 PLC ± -	APPLICATION SPEC							
2 PLC ± -	WEIGHT	-	SIZE	CAGE CODE	DRAWING NO	RESTRICTED TO		
3 PLC ± -			A4	00779	C-566397	-		
4 PLC ± -			CUSTOMER DRAWING				SCALE	1:1
ANGLES ± -						SHEET	1 OF 1	
						REV	E1	