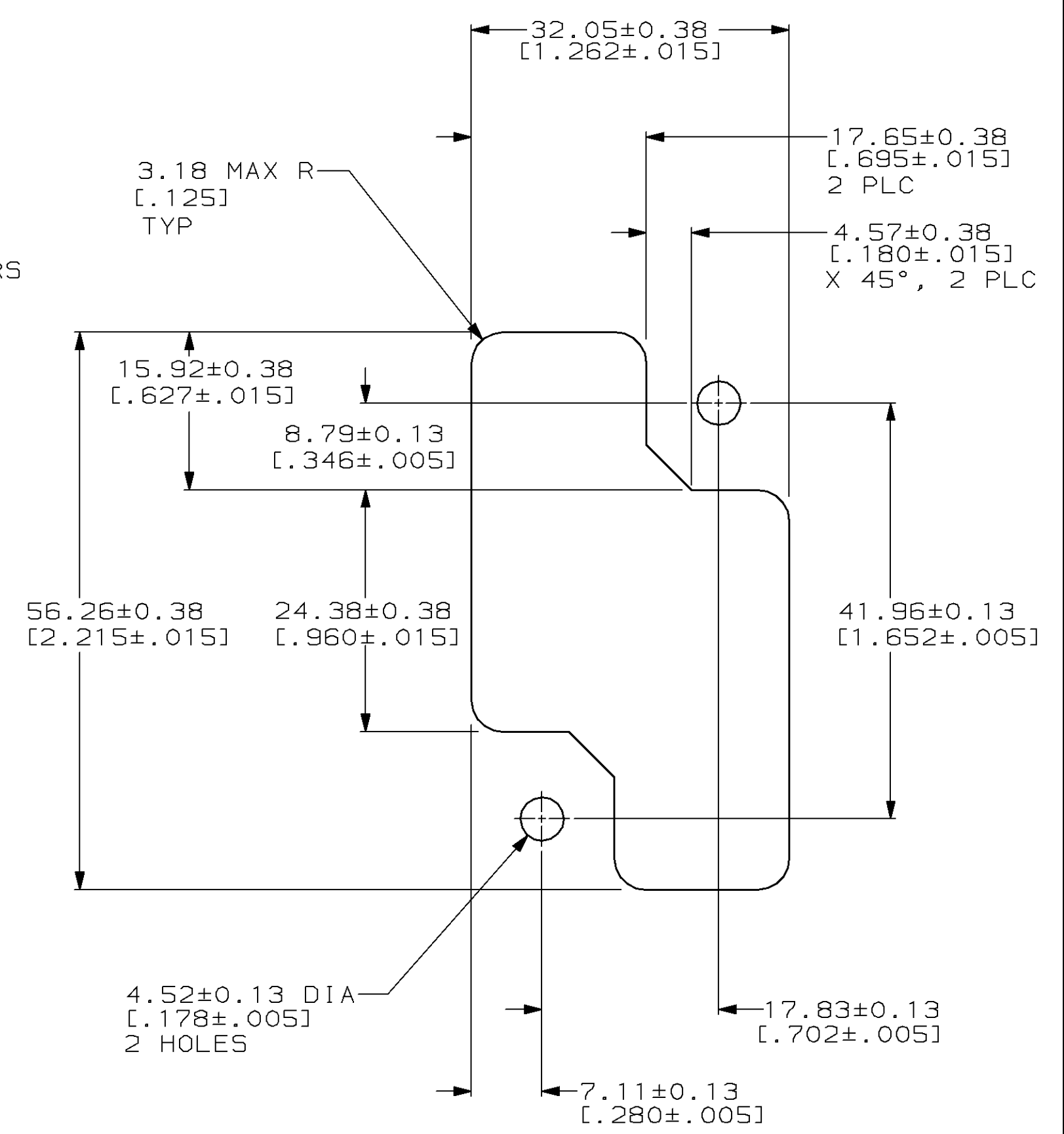
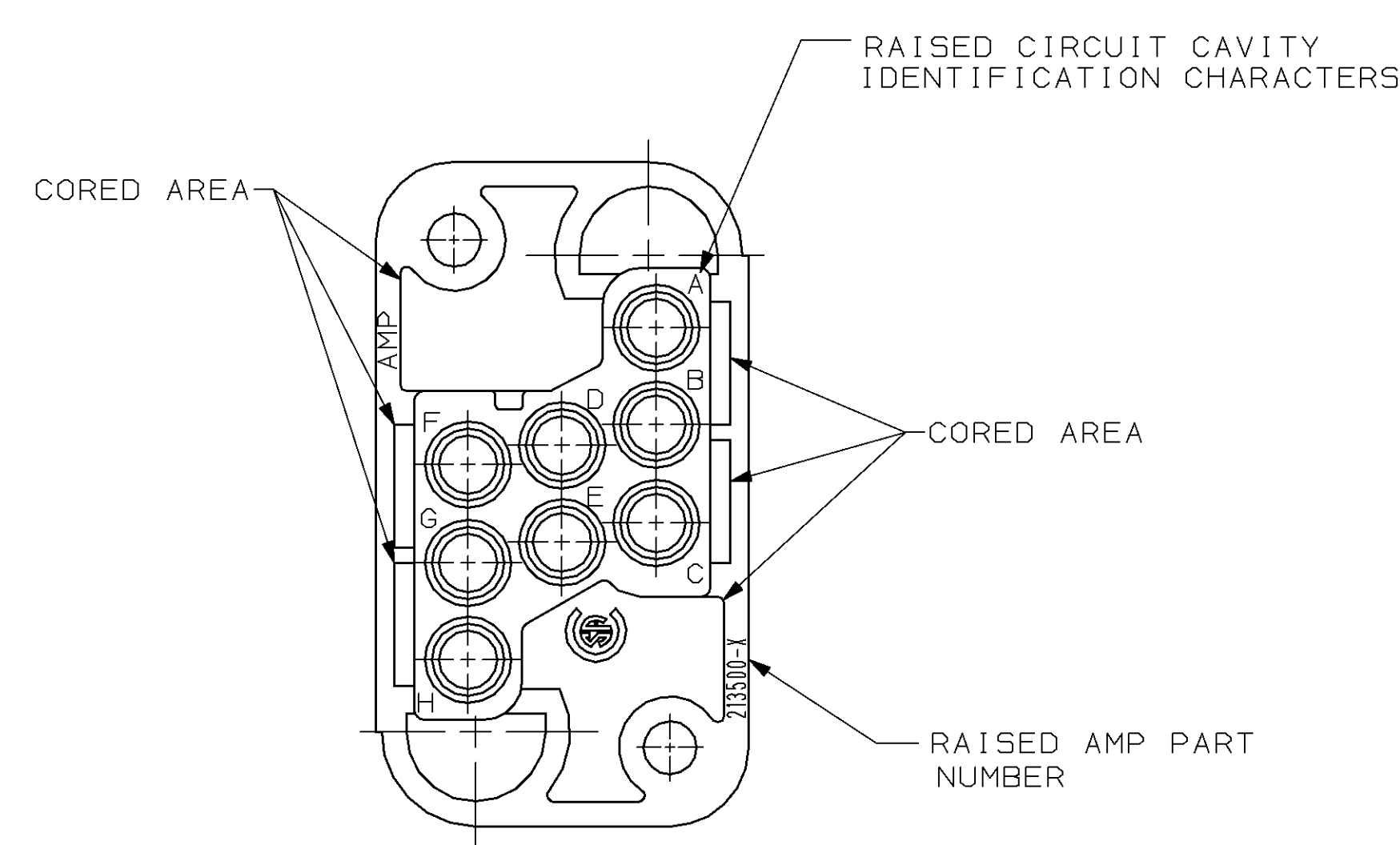
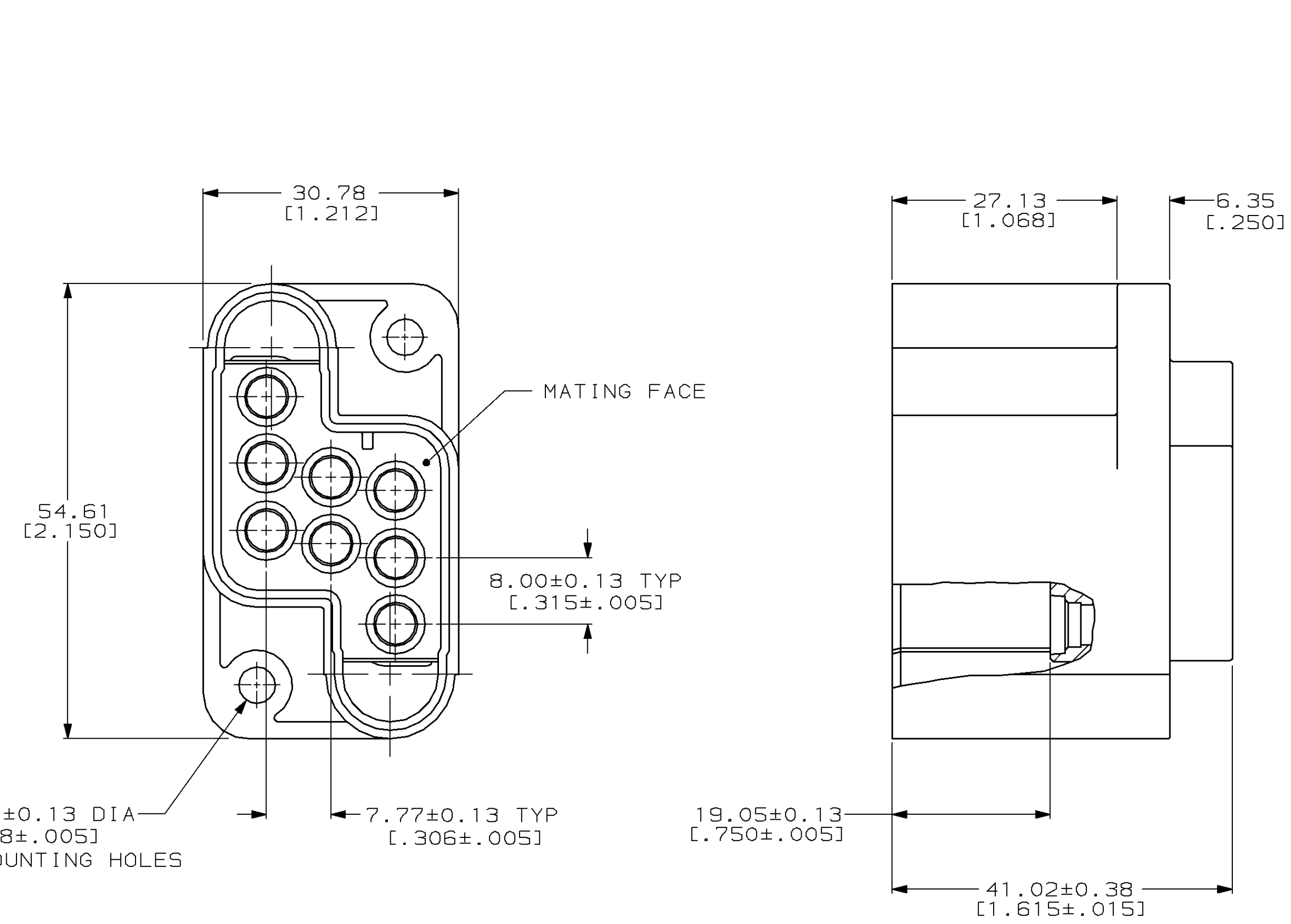


REVISONS		DATE	BY	APPV
E	REV PER EC 0020-1422-94	06 MAR 96	-	-
F	ADDED -3	06 MAR 96	BC	MM
F	PER EC 0020-136-96			



RECOMMENDED PANEL CUTOUT

- THIS HOUSING ACCEPTS (8) POWER SIZE 8, POWERBAND, OR COAXIAL SIZE 8 PIN CONTACTS.
- DIMENSIONS IN BRACKETS ARE IN INCHES.

BLUE	213500-3
BLACK	213500-1
COLOR	PART NO

THIS DRAWING IS A CONTROLLED DOCUMENT.		DMN S. CARRO 10-28-87	AMP Incorporated Harrisburg, PA 17105-3608
DIMENSIONS mm (INCHES)		CHK LARRY G. LAWYER 10-28-87	
TOLERANCES UNLESS OTHERWISE SPECIFIED:		APVD MICHAEL D. GALLOWAY 10-28-87	
0 PLC	±	PRODUCT SPEC	HOUSING, RECEPTACLE, DRAWER CONNECTOR, 8 POSITION, METRIMATE
1 PLC	±	APPLICATION SPEC	
2 PLC	±0.25 (.010)	WEIGHT	
3 PLC	±	CUSTOMER DRAWING	
4 PLC	±	SCALE 2:1	SHEET 1 OF 1
ANGLES	±0°30'	REV F	
FINISH	-		