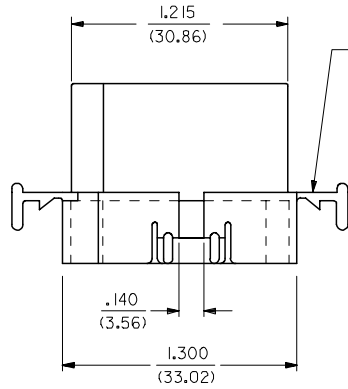
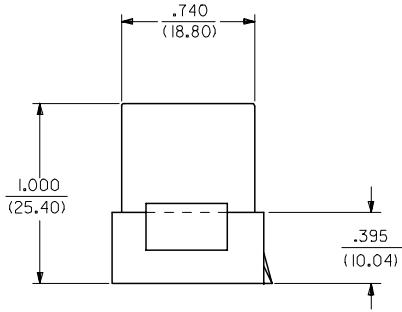
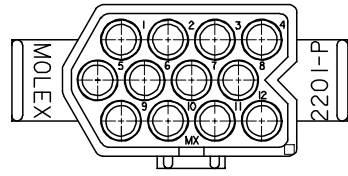
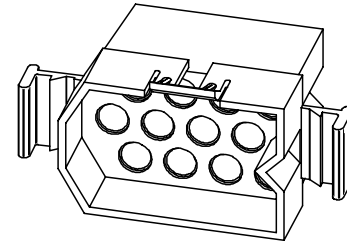


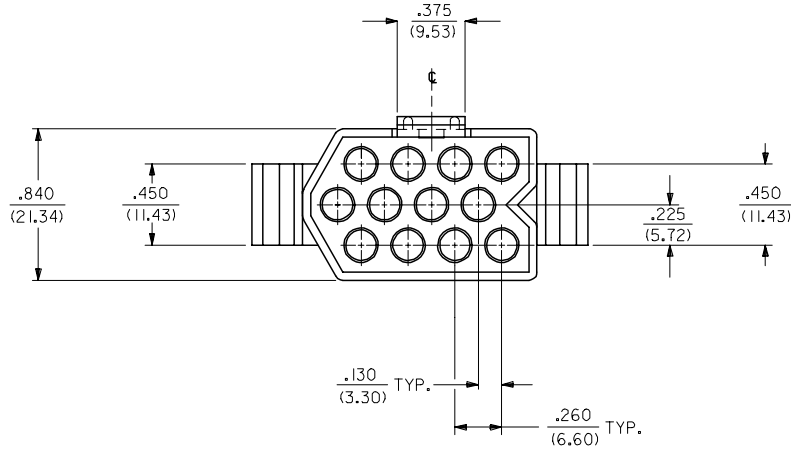
13 12 11 10 9 8 7 6 5 4 3 2 1



MOUNTING EAR (2 PL.)
(WHEN SPECIFIED)
SEE SHT. 3



PLUG 2201-P



UPDATE TITLE BLOCK	QUALITY SYMBOLS
FC NO: UCP2007-0022	▽=0
DRW:NAELHAG	▽=0
CHKD:LSHMDT	
APPR:FSMTH	
REV	DESCRIPTION

GENERAL TOLERANCES (UNLESS SPECIFIED)	
mm	INCH
4 PLACES ± .010	± .004
3 PLACES ± .014	± .005
2 PLACES ± 0.25	± .010
1 PLACE ± 0.35	± .014
ANGULAR ±1/2°	
DRAFT WHERE APPLICABLE MUST REMAIN WITHIN DIMENSIONS	

DIMENSION STYLE	
IN/MM	
DRAWN BY	DATE
GEP	7/23/87
CHECKED BY	DATE
RW	7/23/87
APPROVED BY	DATE
RAS	7/23/87
MATERIAL NO.	
SEE CHART	

SCALE 1:1	DESIGN UNITS INCH	THIRD ANGLE PROJECTION
12 CIRCUIT HOUSING PLUG & RECEPTACLE		
MOLEX INCORPORATED		
MATERIAL NO.	DOCUMENT NO.	SHEET NO.
	SD-2201-*	1 OF 3
THIS DRAWING CONTAINS INFORMATION THAT IS PROPRIETARY TO MOLEX INCORPORATED AND SHOULD NOT BE USED WITHOUT WRITTEN PERMISSION		

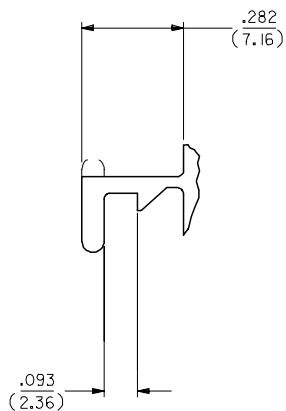
12 11 10 9 8 7 6 5 4 3 2 1

13 12 11 10 9 8 7 6 5 4 3 2 1

PLUG

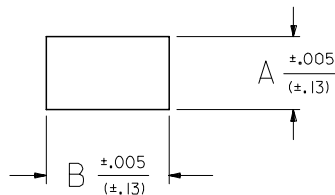
RECEPTACLE

PART NO.	ENG. NO.	DESCRIPTION	PART NO.	ENG. NO.	DESCRIPTION
03-12-2121	2201-P	PLUG WITH STANDARD EARS (DETAIL I)	03-12-1121	2201-R	RECEPTACLE WITH STANDARD EARS (DETAIL I)



DETAIL I
STANDARD MOUNTING EAR
SCALE 4:1

MOUNTING PANEL OPENING		
HOUSING	DIM. "A"	DIM. "B"
PLUG	.855/(21.72)	1.460/(37.08)
RECEPTACLE	.810/(20.57)	1.360/(34.54)



NOTES:

- 1) MATERIAL: NYLON TYPE 6/6, 94V-2, NATURAL.
- 2) FINISH: N/A
- 3) PRODUCT SPECS: NONE.
- 4) PACKAGING SPECS: BULK PACK PER PK-2201-001.
- 5) FOR USE WITH .125/(3.18) DIA. SERIES TERMINALS.
- 6) MAXIMUM PANEL THICKNESS .090/(2.29).

ADD NOTES 2, 3&4 EC NO: UCP2007-0022 DRAWN: AELHAG 2006/07/21 CHKD: LSJHMT 2006/07/21 APPR: FSM TH 2006/07/21 REV: DESCRIPTION	QUALITY SYMBOLS	GENERAL TOLERANCES (UNLESS SPECIFIED) <table border="1"> <tr> <th></th> <th>mm</th> <th>INCH</th> </tr> <tr> <td>4 PLACES</td> <td>± .005</td> <td>± .0005</td> </tr> <tr> <td>3 PLACES</td> <td>± .010</td> <td>± .0010</td> </tr> <tr> <td>2 PLACES</td> <td>± 0.25</td> <td>± .014</td> </tr> <tr> <td>1 PLACE</td> <td>± 0.35</td> <td>± .014</td> </tr> </table> ANGULAR ±1/2°		mm	INCH	4 PLACES	± .005	± .0005	3 PLACES	± .010	± .0010	2 PLACES	± 0.25	± .014	1 PLACE	± 0.35	± .014	DIMENSION STYLE IN/MM DRAWN BY: GEP DATE: 7/23/87 CHECKED BY: RW DATE: 7/23/87 APPROVED BY: RAS DATE: 7/23/87	SCALE 1:1 DESIGN UNITS INCH THIRD ANGLE PROJECTION	TITLE 12 CIRCUIT HOUSINGS, PLUG AND RECEPTACLE, .125 DIA.
			mm	INCH																
	4 PLACES		± .005	± .0005																
	3 PLACES		± .010	± .0010																
2 PLACES	± 0.25	± .014																		
1 PLACE	± 0.35	± .014																		
MATERIAL NO. RAS DOCUMENT NO. SD-2201-* SHEET NO. 3 OF 3	MOLEX INCORPORATED	DRAFT WHERE APPLICABLE MUST REMAIN WITHIN DIMENSIONS	SEE CHART	THIS DRAWING CONTAINS INFORMATION THAT IS PROPRIETARY TO MOLEX INCORPORATED AND SHOULD NOT BE USED WITHOUT WRITTEN PERMISSION																

12 11 10 9 8 7 6 5 4 3 2 1