

**MICRO SWITCH**

FREEPORT, ILLINOIS U S A  
A DIVISION OF HONEYWELL

FED. MFG. CODE 91929

**SWITCH - ENCLOSED**

CATALOG LISTING  
**YZLN-RH3G**

YZLN-RH3G

DRAWING NUMBER

3

ISSUE

3

REVISIONS

REVISIONS

A PR-11708

KAG 18 NOV 82

B CO-81715

JAK 26 SEP 95

26 SEP 95

26 SEP 95

26 SEP 95

26 SEP 95

26 SEP 95

26 SEP 95

26 SEP 95

26 SEP 95

26 SEP 95

26 SEP 95

26 SEP 95

26 SEP 95

26 SEP 95

26 SEP 95

26 SEP 95

26 SEP 95

26 SEP 95

26 SEP 95

26 SEP 95

26 SEP 95

26 SEP 95

26 SEP 95

26 SEP 95

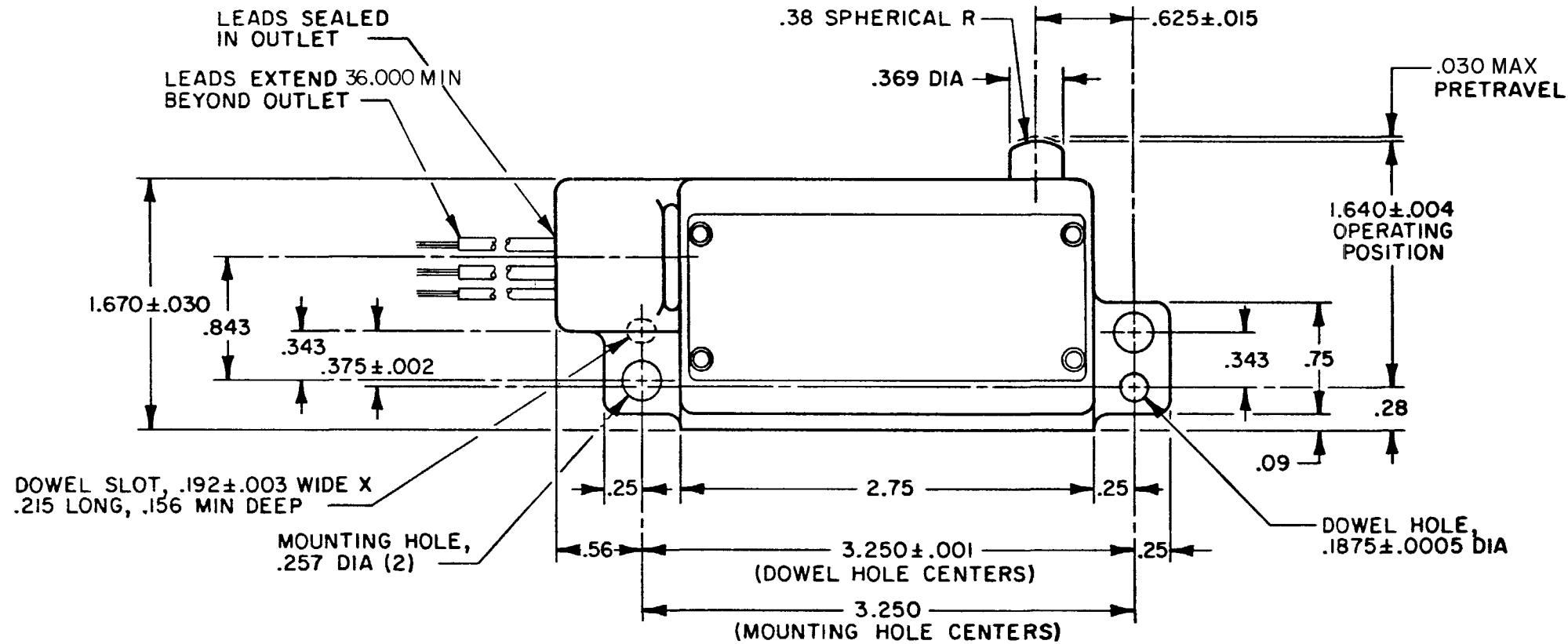
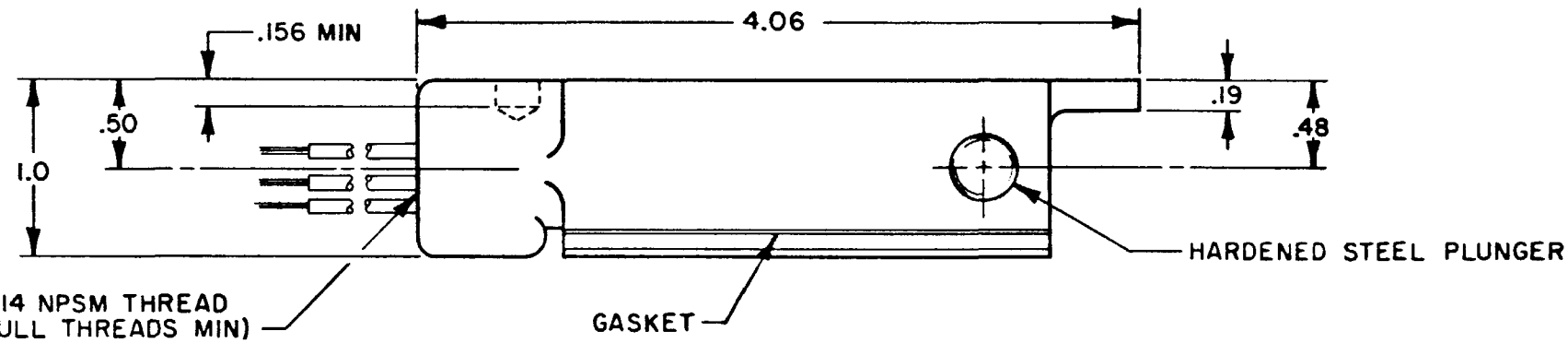
26 SEP 95

26 SEP 95

26 SEP 95

26 SEP 95

26 SEP 95



THIS DRAWING COVERS A PROPRIETARY ITEM AND IS THE PROPERTY OF MICRO SWITCH, A DIVISION OF HONEYWELL. THIS DRAWING IS NOT TO BE COPIED OR USED WITHOUT THE APPROVAL OF MICRO SWITCH.

CHARACTERISTICS	
OPERATING FORCE	5 LB MAX
RELEASE FORCE	1 LB MIN
DIFFERENTIAL TRAVEL	.004 MAX
OVERTRAVEL	.203 MIN

ELECTRICAL DATA	
CONTACT ARRANGEMENT	
S P N O	
CODE L96 15A-125, 250 OR 480 VAC	
1/8 HP-125 VAC; 1/4 HP-250 VAC	
1/2 A-125 VDC; 1/4 A-250 VDC	

SCALE FULL			
DO NOT SCALE PRINT			
TOLERANCES			
APPLY TO DESIGN UNITS. CONVERSIONS ARE ONLY FOR REFERENCE. UNLESS NOTED, TOLERANCES ARE:			
DIM.	TOL.	DIM.	TOL.
mm	mm/in	in	mm/in
NO PLACES	X	1/16	
ONE PLACE	X,X	0.4/0.016	X,X
TWO PLACES	X,XX	0.16/0.006	X,XX
THREE PLACES	X,XXX	0.064/0.002	X,XXX
ANGLES			
DESIGN UNITS		US CUSTOMARY	
<input type="checkbox"/> METRIC		<input checked="" type="checkbox"/> US CUSTOMARY	
THIRD ANGLE PROJECTION			
WEIGHT .720 LB PLUS LEADS			

WIRING CONNECTIONS  
COMMON - BLACK LEAD  
NORMALLY OPEN - BLUE LEAD  
GROUND - GREEN LEAD

FORMTEK

DRAWN

KAG

18 NOV 82

CHECK

3 EB

19 NOV 82

CHECK

19 NOV 82

CHECK

26 SEP 95

CO-81715

18 NOV 82

PR-11708

CHECK

3

ISSUE

3

DRAWING NUMBER

YZLN-RH3G

REPLACES

PR-11708-T

RELEASE NO.

YZLN-RH3G

REPLACES

PR-11708-T

RELEASE NO.

YZLN-RH3G

REPLACES

PR-11708-T

RELEASE NO.

YZLN-RH3G

REPLACES

PR-11708-T