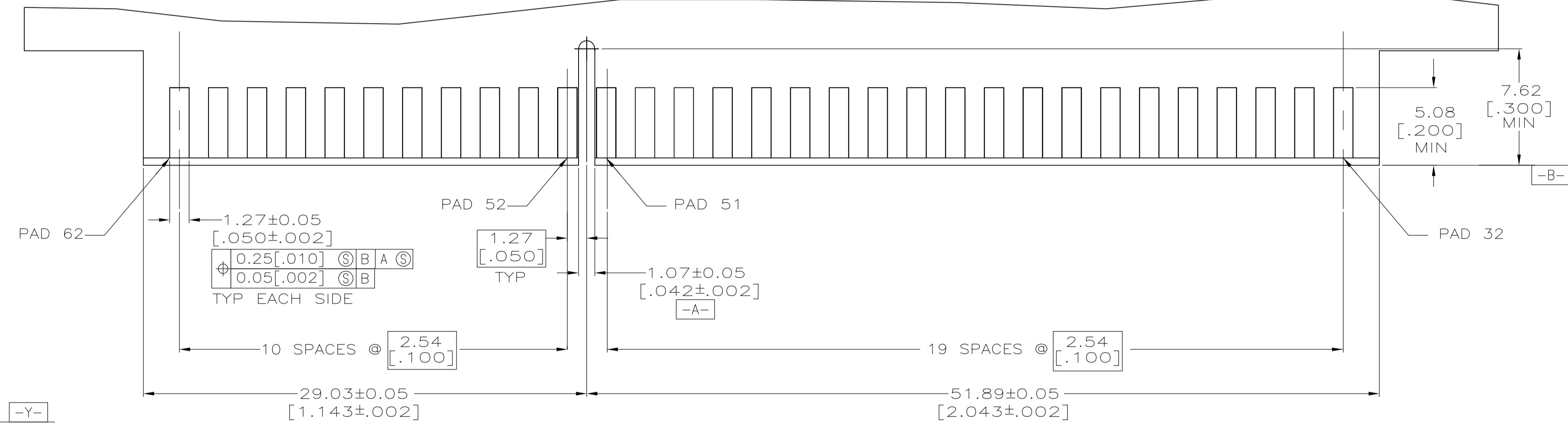
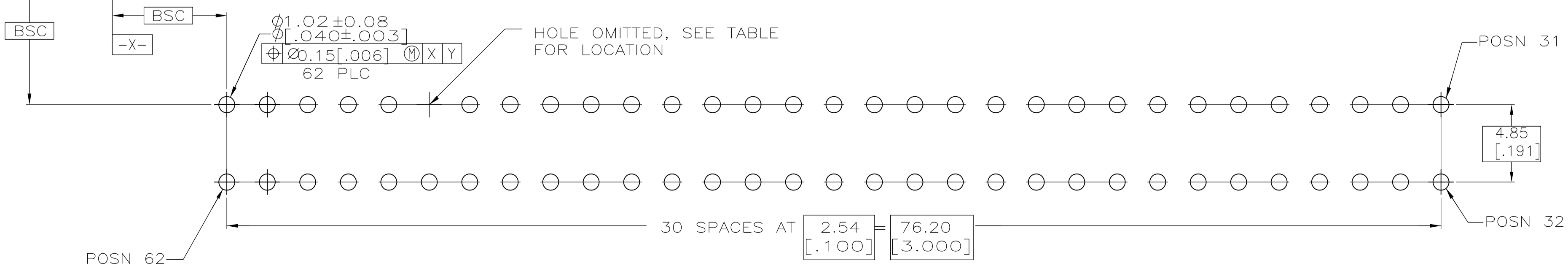


- ① HOUSING: GLASS FILLED POLYESTER; COLOR: BLACK.
- ② CONTACT: PHOSPHOR BRONZE.
- ③ NICKEL PLATE: 0.00127 [.000050] MIN - ALL OVER.
- ④ MATTE TIN PLATE: 0.00254 [.000100] MIN - SOLDER POSTS.
- ⑤ GOLD PLATE: 0.00076 [.000030] MIN - CONTACT AREA.
- ⑥ NICKEL PLATE PER MIL-G-45204. GOLD PLATE PER QQ-N-290.
- △ TE PART NUMBER, DATE CODE AND CSA LOGO MAY BE MARKED IN APPROXIMATE AREA SHOWN, EITHER SIDE.



RECOMMENDED MATING BOARD EDGE CONFIGURATION



RECOMMENDED PC BOARD HOLE LAYOUT

10,11,12,14,16,18,20,22,23,24,26,28,30,33,35,37,39,40,41,43,45,47,49,51,52,53	11,12	2,3,29,31,32,34,60,61	6364999-2
6	11,12	2,3,29,30,33,34,60,61	6364999-1
OMITTED PIN	KEY LOCATION	RETENTION LOCATION	PART NUMBER

THIS DRAWING IS A CONTROLLED DOCUMENT.

DIMENSIONS: mm	TOLERANCES UNLESS OTHERWISE SPECIFIED:	0 PLC ± -	1 PLC ± -	2 PLC ± 0.13[.005]	3 PLC ± -	4 PLC ± -	ANGLES ± ±
MATERIAL	FINISH	REV	DATE	BY	CHK	DATE	NAME
		AL	FRANTUM	17	AUG	05	Tyco Electronics Corporation Harrisburg, Pa 17105-3608
PRODUCT SPEC		108-9039		APPLICATION SPEC		114-13018	
MATERIAL		SIZE	CAGE CODE	DRAWING NO	RESTRICTED TO		
		A1	00779	6364999	CUSTOMER DRAWING		
SCALE		5:1		SHEET		1 OF 1	