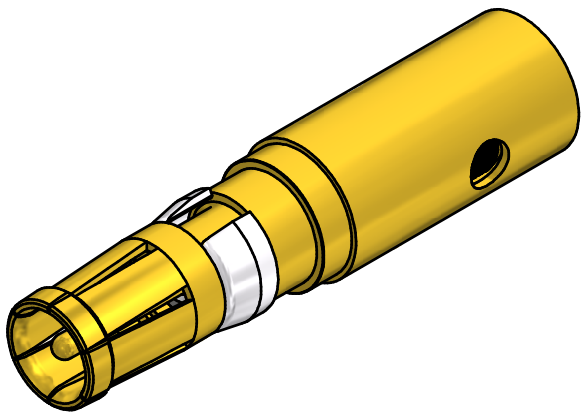
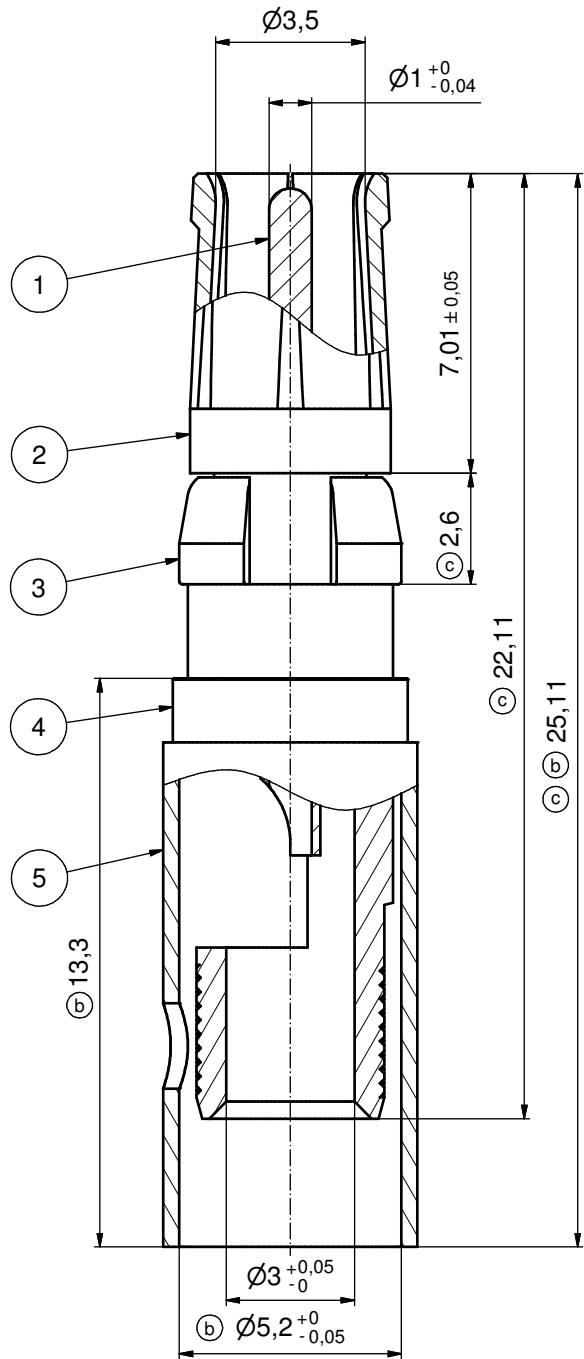
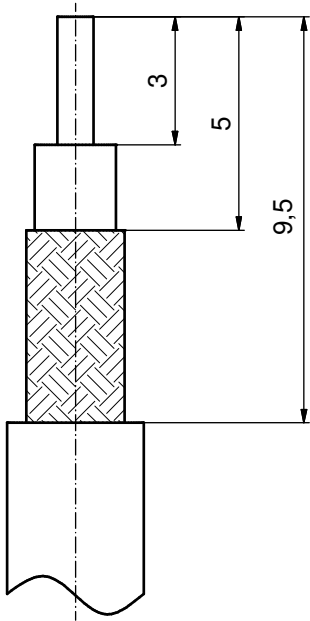


ⓑ STRIPPING DIMENSIONS



ⓒ ASSEMBLY TOOLING:

- 1. CENTER CONTACT:
SOLDERED
- 2. OUTER CONDUCTOR:
SOLDERED OR CRIMPED
USE CRIMP TOOL: 360X10519X
WITH TOOL INSERT: 360X11029X
INSERT CAVITY A: HEX 5.41 / .213" ⓓ

Part no.	Finish Pos.1	Finish Pos.2	Finish Pos.3	Finish Pos. 4/5
132J20049X	50µin HARD GOLD over min. 50µin NICKEL	30µin HARD GOLD over min. 50µin NICKEL	NICKEL PLATED	GOLD FLASH over NICKEL
132A20049X	GOLD FLASH over NICKEL	GOLD FLASH over NICKEL	NICKEL PLATED	GOLD FLASH over NICKEL

Directive 2002/95/EC RoHS compliant

THIS DRAWING MAY NOT BE COPIED OR REPRODUCED IN ANY WAY, AND MAY NOT BE PASSED ON TO A THIRD PARTY WITHOUT WRITTEN PERMISSION. OWNERSHIP AND COPYRIGHT OF CONEC GmbH DO NOT ALTER CAD DRAWING BY HAND				tolerance		scale: 8:1
				date	name	material: COPPER ALLOY (Pos. 1 - 5)
				drawn	27.04.00 A. Mickenbecker	title: COAXIAL CONTACT SOCKET 50 OHM inner conductor for solder termination outer conductor for solder or crimp termination
				appd.	27.04.00 E. Mickenbecker	
	1 x d	Ä4764	24.05.2013	K.H.	norm	
5 x c	Ä4538	13.11.12	Lehmen	d-old		DIN-A3
1 x b	Ä2535	18.07.06	Lehmen			sh: 1
a	Original					part no: see table
rev.	description	date	name			