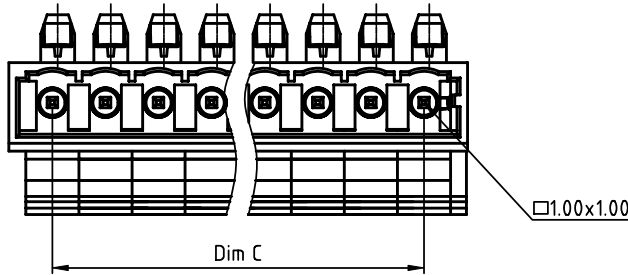


PRODUCT NUMBER	PITCH
NBxx70x400J0G	5.00 mm

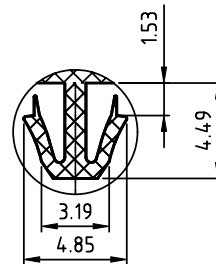
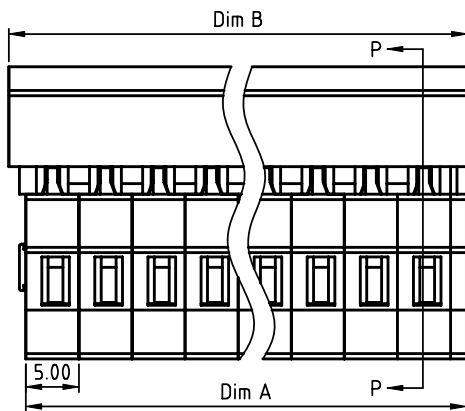
N=Number of poles  
 Dim A=Nx5.0+1.5  
 Dim B=Nx5.0+3.2  
 Dim C=(N-1)x5.0  
 Dim D=(N-1)x5.0  
 Dim E=(N-1)x5.0

PART NO.: NB xx 7 0 x 4 00J0 G

Solid block	0	Color	0 Black (RAL9005)	RoHS compliant	(lead<4%)
No. of poles	2		2 Red (RAL3001/D)	In copper Alloy	
02	2 poles		3 Orange(RAL2011/P)		
03	3 poles		4 Yellow(RAL1018/A)		
...	...		5 Green(RAL6018/T)		
24	24 poles		6 Blue (RAL5015/A)		
			8 Grey(RAL7035/D)		
			9 White(RAL1102)		
			C Green(RAL6018/U)		



POLES	Dim A&Dim B	Dim C&Dim D&Dim E
2p-6p	±0.20	±0.15
7p-12p	±0.25	±0.20
13p-18p	±0.30	±0.25
19p-24p	±0.40	±0.35



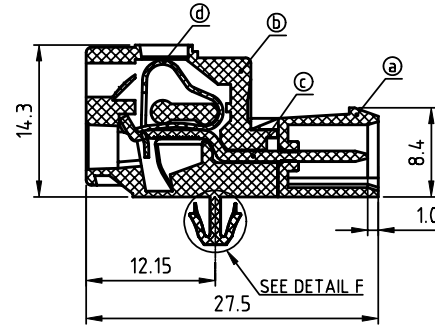
DETAIL F  
SCALE 2/1

Material:

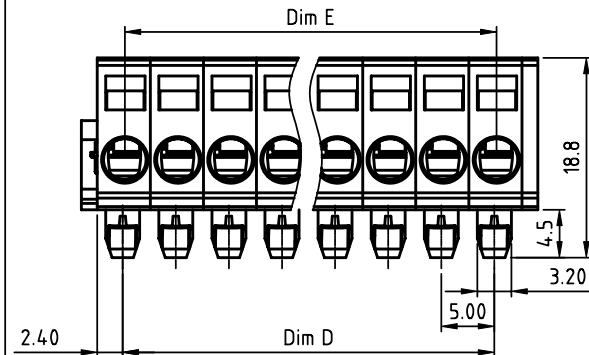
- Item@Top body: Thermoplastic (UL94 V-0)
- ItemⓅBottom body: Thermoplastic (UL94 V-0)
- ItemⓄMale contact pin: Brass Tin plated
- ItemⓈSpring clamp: Stainless steel

Electrical cULus

- Voltage rating: 300V
- Current rating: 8A
- Wire range:
- Solid wire(AWG): 12-28
- Stranded wire(AWG): 12-28
- Wire strip length: 8-9mm
- Withstanding Voltage: 1.6KV
- Operating temperature: -40°C to +115°C
- Safety Approval: cULus



SECTION P-P



mat'l. code		surface ASME Y14.5	tolerance ASME Y14.5	projection	product family	
ltr ecn no dr date		tolerances unless otherwise specified		⊕	TERMINAL BLOCK	
		angles	X.±0.5	MM	title	
		Ⓞ	X.X±0.3		TERMINAL BLOCK	
		X*±1*	X.XX±0.1	scale	SPRING CLAMP, PLUGGABLE PLUG, MALE CONNECTOR	
		dr	EVIN ZHONG 051714		SNAP-IN MOUNTING FEET	
		enr	EVIN ZHONG 051714	FCI	dwg no	
		chr	HANKE FENG 051714		NBxx70x400J0G	sheet 1 of 1 size
		appd	SHI JUN 051714		A4	
sheet index	revision sheet	A	1		type	
					CUSTOMER Drawing	