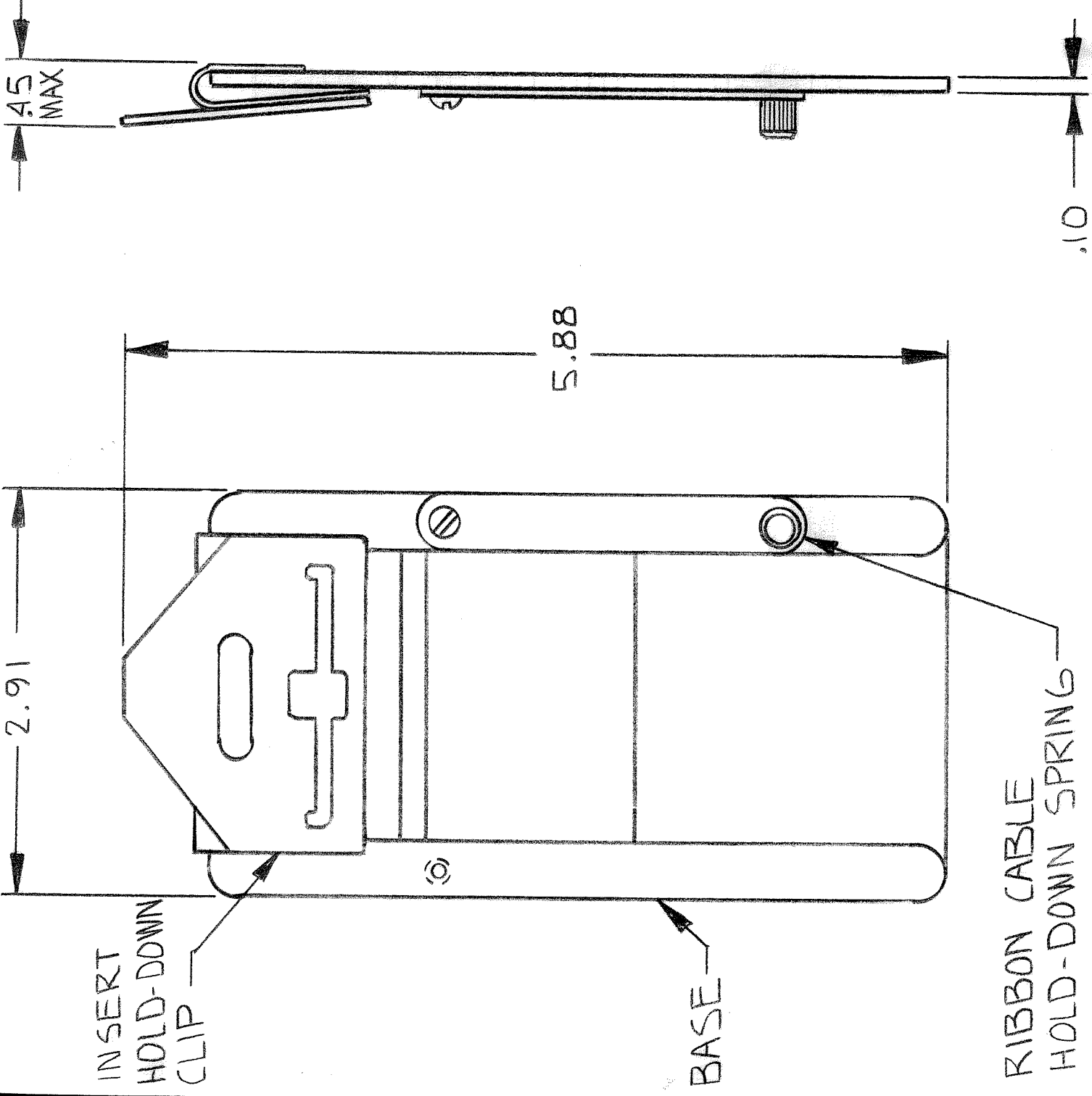


REVISIONS		
LTR	DESCRIPTION	DATE
A	RELEASED TO MFG. ECN: # 7-9599	3/11/88
		APPROVED
		<i>[Signature]</i>



NOTES:

1. REFER TO RAYCHEM OPERATING INSTRUCTIONS FOR USE OF THIS TOOL WITH MTC-50 SERIES CONNECTORS.

If this document is printed it becomes uncontrolled.
Check for the latest revision.

SPECIFICATION CONTROL DRAWING © Raychem Corporation 1988

Raychem		RAYCHEM CORPORATION 300 CONSTITUTION DRIVE MENLO PARK, CALIFORNIA 94025	
TITLE		MTC 50 RW TERMINATION FIXTURE	
SIZE	CODE IDENT. NO.	DWG. NO.	
B	06090	CE-1605500	
UNLESS OTHERWISE SPECIFIED DIMENSIONS ARE IN INCHES. METRIC DIMENSIONS ARE IN PARENTHESIS			
DO NOT SCALE THIS DRAWING			
DRAWN	<i>G. Heich</i>	87/DEC/21	
CHECKED	<i>A. Robinson</i>	1/18/88	
APPROVED	<i>A. Robinson</i>	3/11/88	
APPROVED			
WEIGHT		SHEET	1 OF 1