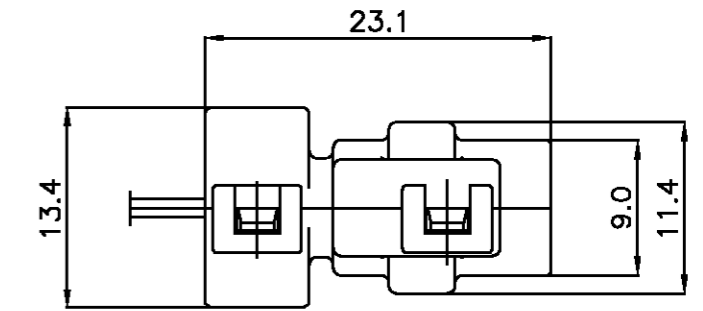
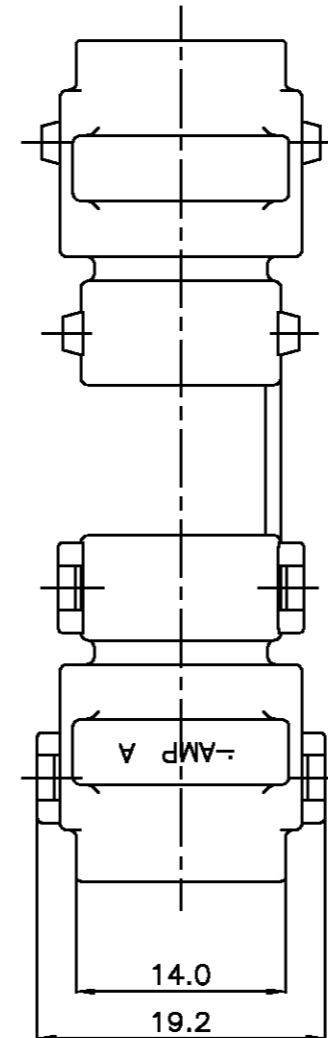
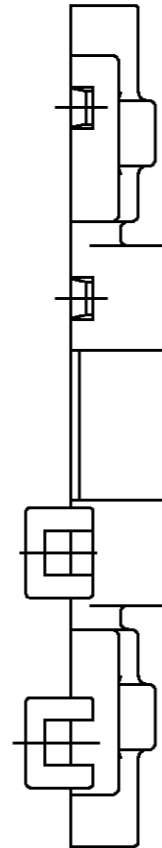
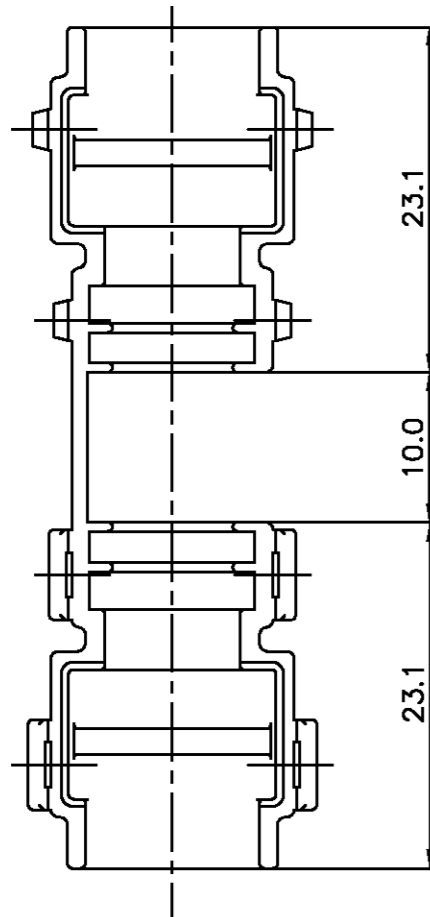
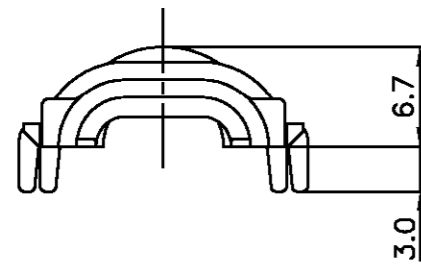


P	LTR	DESCRIPTION	DATE	DWN	APVD
	O	RELEASED(FC00-0109-01)	11,OCT,01	HS	CS



ASS'Y VIEW

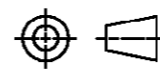
NOTE

1. APPLICABLE CORRUGATOR DIAMETER :  $\phi 7.0$
2. APPLICABLE PLUG HSG P/N : 936059-1

MATERIAL	PART NUMBER	COLOR
NYLON 66	936111-1	BLACK

THIS DRAWING IS A CONTROLLED DOCUMENT FOR AMP INCORPORATED. IT IS SUBJECT TO CHANGE AND THE CONTROLLING ENGINEERING ORGANIZATION SHOULD BE CONTACTED FOR THE LATEST REVISION.

DIMENSIONS: MM



MATERIAL SEE TABLE

TOLERANCES UNLESS OTHERWISE SPECIFIED:

- 0 <XX<10  $\pm 0.2$
- 10 <XX<30  $\pm 0.25$
- 30 <XX  $\pm 0.3$
- ANGLES  $\pm 3^\circ$

FINISH

//

DWN HS BAE

CHK BM JANG

APVD CS LEE

PRODUCT SPEC

APPLICATION SPEC

WEIGHT

**AMP**

AMP KOREA.  
kyungsan, korea

NAME

COVER HSG FOR 2.8 mm SEALED 2P PLUG CONN'R

SIZE

A3

CAGE CODE

00779

DRAWING NO

936111

SCALE 2/1

SHEET 1 OF 1

REV 0