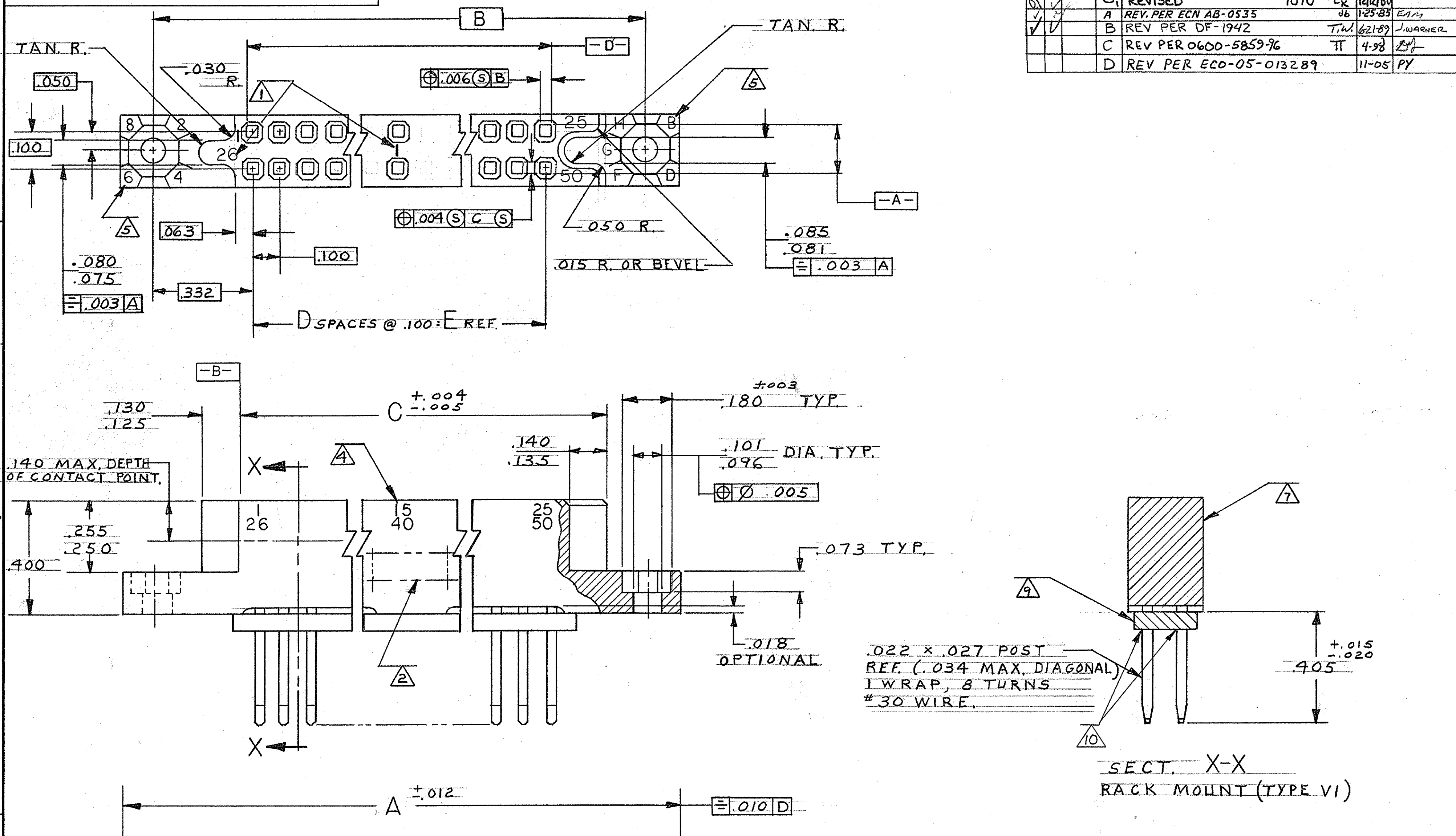


© COPYRIGHT 19 BY AMP INCORPORATED, HARRISBURG, PA.
ALL INTERNATIONAL RIGHTS RESERVED. AMP INCORPORATED PRODUCTS
COVERED BY U. S. AND FOREIGN PATENTS AND/OR PATENTS PENDING.

REVISIONS					
P	F	ZONE	LTR	DESCRIPTION	DATE APPROVED
			01	REVISED 7070 ϕ_{Lk}	12/12/80
			A	REV. PER ECN AB-0535	06 1/25/85 EAM
			B	REV PER DF-1942	T.W. 6/21/89 J.WARNER
			C	REV PER 0600-5859-96	TT 4-98
			D	REV PER ECO-05-013289	11-05 PY



531843

UNLESS OTHERWISE SPECIFIED DIMENSIONS ARE IN INCHES. TOLERANCES ON: DECIMALS ±.005 ANGLES ±	CONTRACT NO	AMP AMP INCORPORATED Harrisburg, Pa.	
	DR <i>M. Smith</i> 5-2-80	NAME	BOX CONNECTOR, RECEPTACLE ASSY, .100 GRID EXTERNAL KEYING.
	CHK <i>Joseph Durbin</i> 5/9/80	SIZE	C 00779
MATERIAL	APPD <i>Joseph Durbin</i> 5/8/80	IDENT NO	531843
FINISH	APPD <i>E. Parsons</i> 5-12-80	DRAWING NO	
	DSGN APPD	SCALE	4:1
	OTHER APPD	SHEET	1 OF 2

© COPYRIGHT 19 BY AMP INCORPORATED, HARRISBURG, PA.
 ALL INTERNATIONAL RIGHTS RESERVED. AMP INCORPORATED PRODUCTS
 COVERED BY U. S. AND FOREIGN PATENTS AND/OR PATENTS PENDING.

REVISIONS			
P	F	ZONE	DATE
✓	✓	D	(SEE SHEET 1)

- 1. NUMBERS AND LINES INDICATING EVERY FIVE CAVITIES MARKED OR MOLDED ON MATING FACE.
- 2. AMP, PART NUMBER, CUSTOMER PART, AND DATE CODE MARKED OR MOLDED THIS SIDE. (SEE TABLE)
- 3. MUST MEET ALL APPLICABLE REQUIREMENTS OF MIL-C-55302.
- 4. NUMBERS INDICATING EVERY FIVE CAVITIES MARKED OR MOLDED ON SIDE.
- 5. KEY POSITION IDENTIFICATION MOLDED ON SURFACES AS SHOWN.
- 6. USE EXTERNAL KEY NUMBER 530341-1 MATES WITH PART NUMBER 530339.
- 7. HOUSING MATL.: DIALLYL PHTHALATE PER MIL-M-14 TYPE SDG-F, COLOR: BLUE.
- 8. CONTACT MATL.: BERYLLIUM COPPER, OR COPPER-NICKEL-SILICONE FINISH: .000050 GOLD OVER NICKEL.
- 9. POST STABILIZER MATL.: GLASS FILLED THERMOPLASTIC, FLAME RETARDANT, .060 THICK.
- 10. EPOXY ADDED TO AREA WHERE THE CONTACT POST EMERGE FROM THE STABILIZER TO INSURE POST TRUE POSITION.

531843

↑	↑	-003	46	90 ⁴⁵	4.400	44	4.665	5.065	5.355	90	531843-3
		-002	36	70 ³⁵	2.400	24	2.665	3.065	3.355	50	531843-2
		93322S0CN-7109386-001	16	30 ¹⁵	1.400	14	1.665	2.065	2.355	30	531843-1
CUSTOMER PART NUMBER			CONTACT IDENTIFICATION NO.		E	D	C	B	A	NO. OF CONTACTS	PART NO

UNLESS OTHERWISE SPECIFIED DIMENSIONS ARE IN INCHES. TOLERANCES ON: DECIMALS ±.005 ANGLES ±	CONTRACT NO		AMP AMP INCORPORATED Harrisburg, Pa.
	DR	5-5-80	
	CHK	<i>Roger W. Dunbar</i> 5/9/80	
	APPD	<i>Roger W. Dunbar</i> 5/9/80	
MATERIAL	APPD	5-12-80	NAME BOX CONNECTOR, RECEPTACLE ASSY, 100 GRID, EXTERNAL KEYING.
FINISH	DSGN APPD	OTHER APPD	
SIZE CODE IDENT NO DRAWING NO C 00779 531843			
SCALE		SHEET 2	