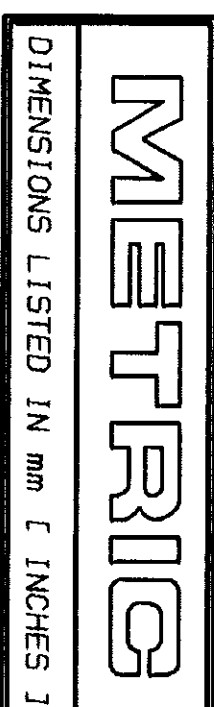
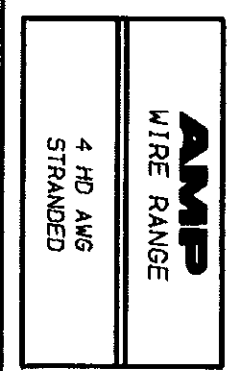
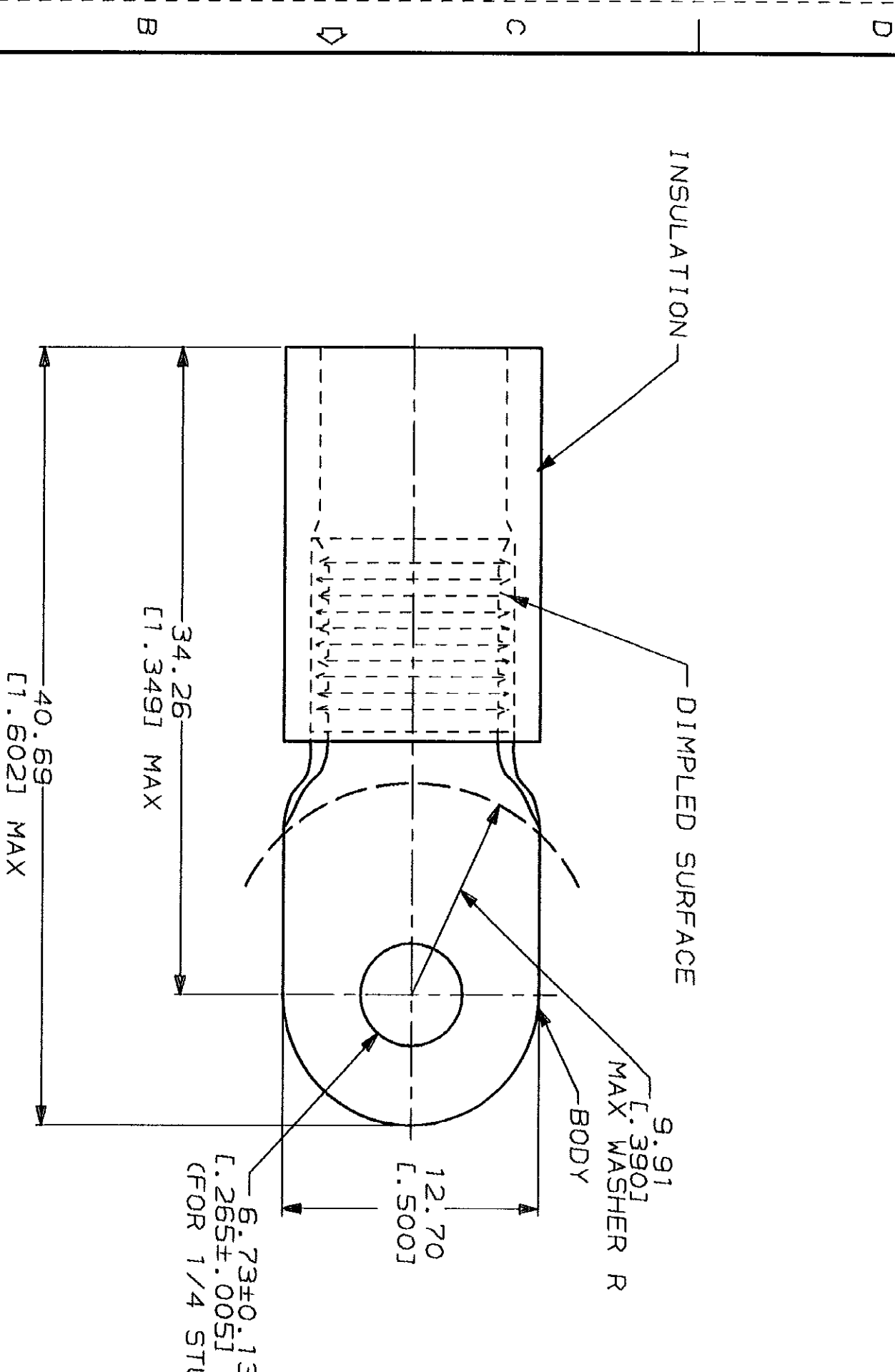


LOC	DIST	P	ZONE	LTR	REVISIONS	DESCRIPTION	DATE	APPD
G	14				6	EC 0720-0279-93	6-23-93	BB



1. TONGUE MATERIAL THK 2.31±0.08 [0.91±.004]
 FOR 11.25 [1.443] MAX WIRE INS DIA



**AMP INCORPORATED
 CUSTOMER SERVICE SYSTEMS**

FOR ADDITIONAL PRODUCT INFORMATION OR COPIES OF DRAWINGS AND TECHNICAL DOCUMENTS	PRODUCT INFORMATION CENTER 1-800-522-6752	MAX RECOMMENDED OPERATING TEMPERATURE: 105°C	DO NOT SCALE PRINT. UNLESS SPECIFIED OTHERWISE: TOLERANCES ON: 2 PLC DEC ± 0.20 [0.008] 3 ANGLES ±	DR 6-23-93 S.S. GOLDEN CHK 6-23-93 R. HERSEY APPD 6-23-93 B. BAER	QTY	PACKAGE TYPE	PART NO
FOR APPLICATION TOOLING INFORMATION	TOOLING ASSISTANCE CENTER 1-800-722-1111	VOLTAGE RATING: -	MATERIAL COPPER PER ASTM B-152 NYLON (MIL-M-20693) TYPE 1 COLOR: YELLOW	APPD 6-23-93 M. ELLIS PRODUCT SPEC		LOOSE PC	330966
FOR ORDER ENTRY	1-800-526-5142	CIRCULAR MIL AREA: 16.8-26.7mm² [33, 100-52, 600] STRANDED	FINISH TIN PLATE PER MIL-T-10727	APPD 6-23-93 APPLICATION SPEC		AMP	AMP Incorporated Harrisburg, PA 17105-3608