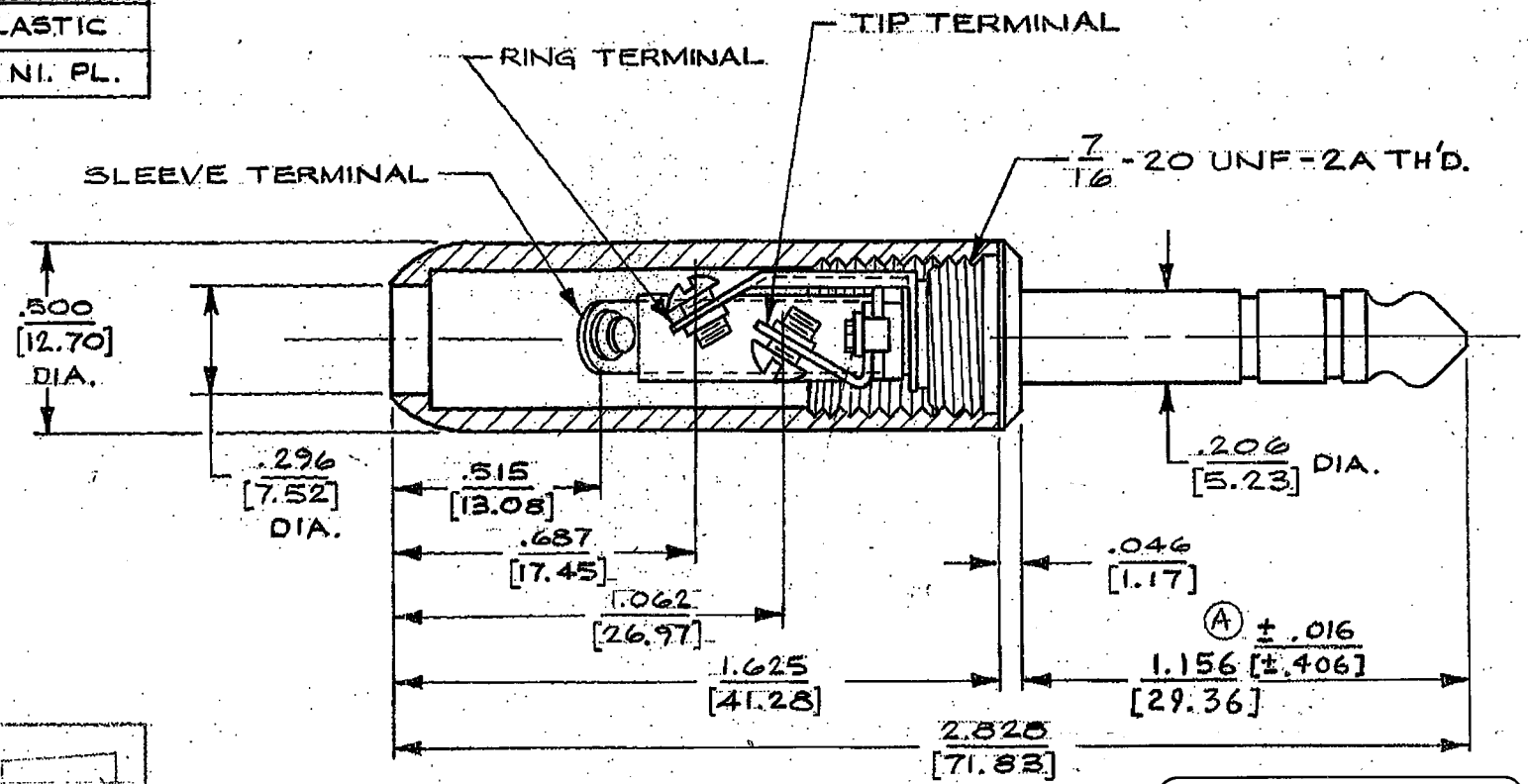


S- 260
290

PART NO.	HANDLE
S-260	BLK. PLASTIC
S-290	BRASS NI. PL.



CUSTOMER DRAWING

INCH (MM) THIRD ANGLE PROJECTION

★ STAR SYMBOL DENOTES CRITICAL DIMENSION, SEE S/C ENGINEERING STANDARD ES-0001.	SIZE	WIDTH	MULT.	LBS. PER M	TEMPER
---	------	-------	-------	------------	--------

THIS DRAWING DESCRIBES A DESIGN CONSIDERED PROPRIETARY IN NATURE, DEVELOPED AND MANUFACTURED BY SWITCHCRAFT, INC., AND IS RELEASED ON A CONFIDENTIAL BASIS FOR IDENTIFICATION PURPOSE ONLY.

UNLESS OTHERWISE SPECIFIED:

- 1- DECIMAL DIMENSIONS ± .005 [0.13]
- 2- FRACTIONAL DIMENSIONS ± 1/64
- 3- ANGLES ± 1/2° [0.38]
- 4- ALL DIA'S CONCENTRIC WITHIN .005 T.I.R.
- 5- ALL DIMENSIONS IN INCHES [0.13]
- 6- FOR THREADS USE UNIFIED PLUG AND RING GAGES ONLY.
- 7- REMOVE ALL BURRS.
- 8- PART TO BE FABRICATED AS SPECIFIED. MAKE NO DIMENSIONAL ALLOWANCES FOR APPLIED FINISHES, I.E., PLATING, PAINTING, ETC.
- 9- HOLES ON SAME CENTERLINE MUST BE ALIGNED WITHIN ± .002 [0.05]

DO NOT SCALE DRAWING

DRAWN BY	DATE
18	14 JUNE 78
CHECKED BY	DATE
AN	28 JUNE 78
APPROVED BY	DATE
CK	6-29-78
SCALE	
FIRST USED ON	

FINISH
PER FINISH SPEC. NO.
MATERIAL
PER MAT. SPEC. NO.
SWITCHCRAFT

NAME
3 CONDUCTOR LITTEL
PLUG .206 [5.23] DIA.

PART NO.	260	ISSUE
S-	290	C
SHEET	1	OF 1

ISS	SYM	REVISION	BY	DATE
2		REDRAWN & ADDED METRIC DIM'S.	18	14 JUNE 78
3	A	± .016 TOL. ADDED R. Q. ECO # 12419	R. Q.	10-25-84
4	A	ADDED NOTE 4 PER 19616	18	05/19/86
5	A	CHANGED NOTE 4 ECO # 23176 PER 10/03/87	18	10/03/87
A	B	ECO # 15724	18	11/20/87
B	C	ECO # 19616	18	8-26-88
C		20627	18	10-6-88

ROUTING (12) (16) (46)