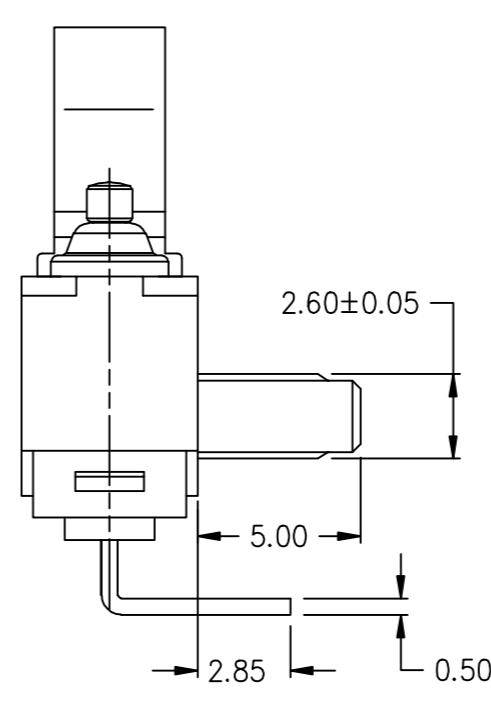
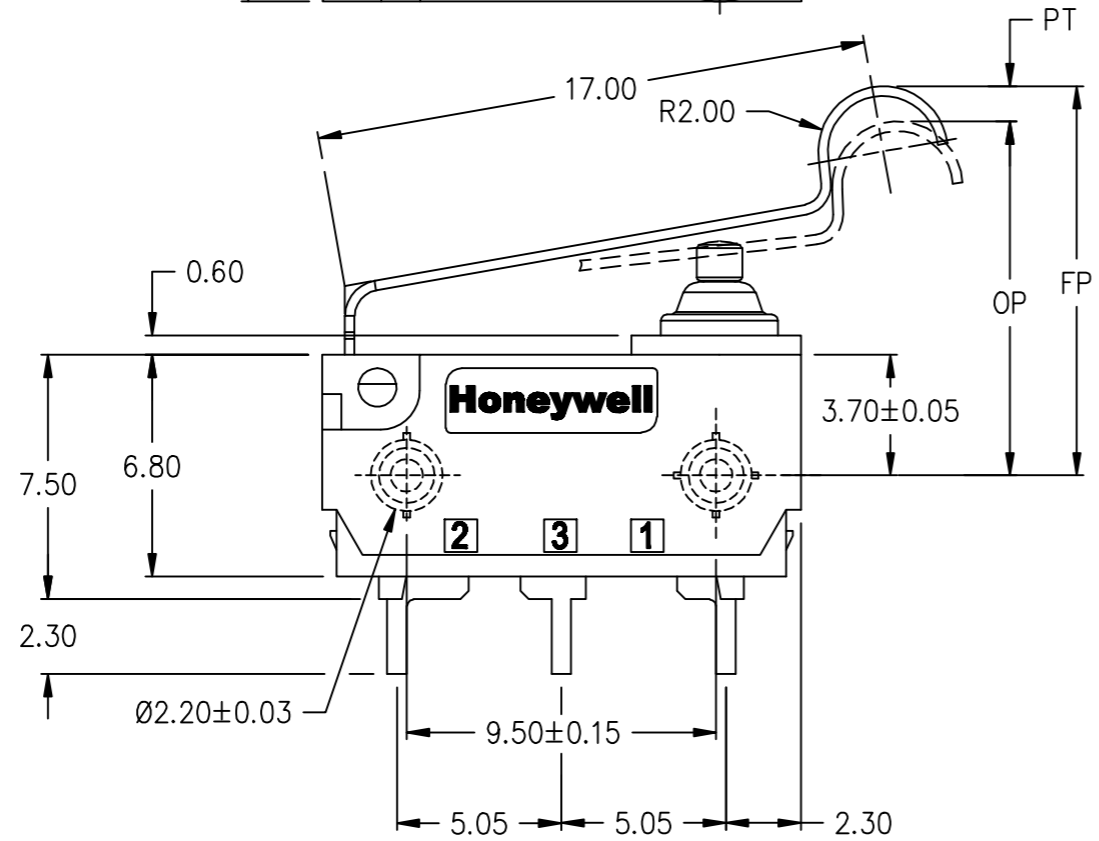
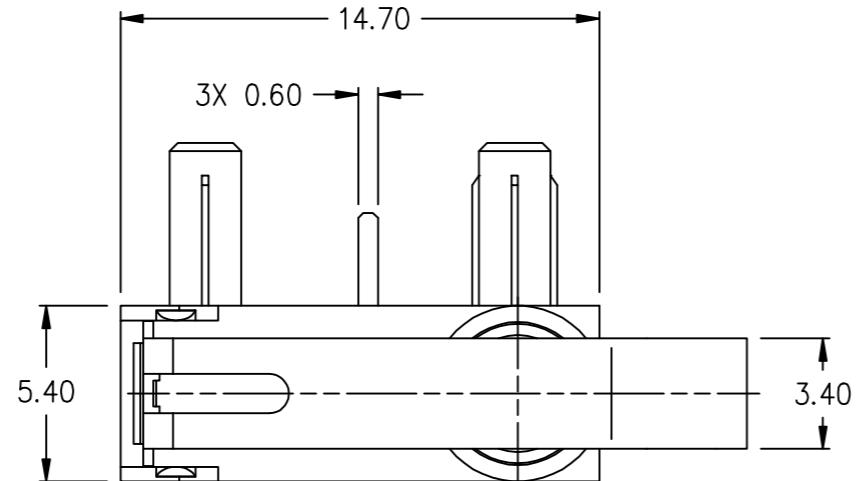
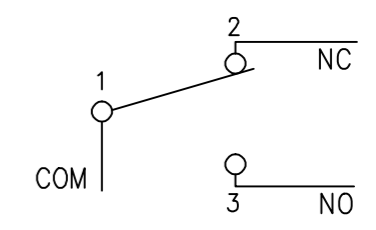


HONEYWELL
PART NUMBER
ZD30S60H02-Z
PRODUCT CODE
FBY4024

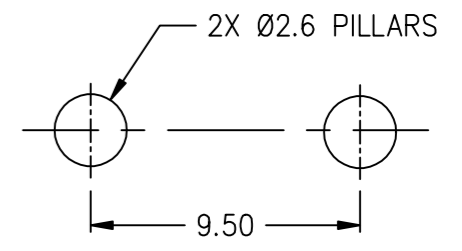
REV	DOCUMENT	CHANGED BY	CHECK
A	0077732	SBH 16JUN11	CMH



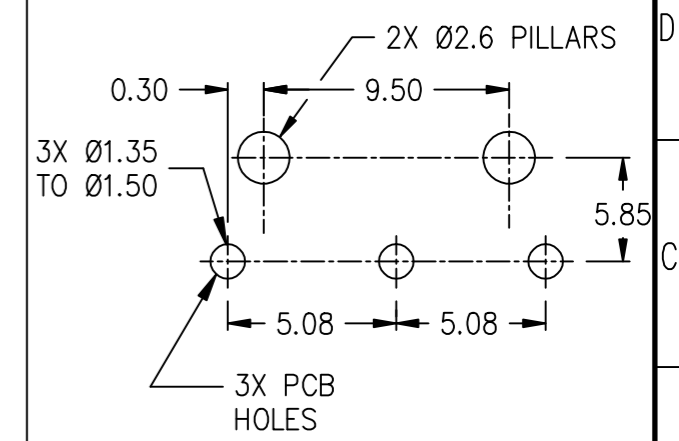
CIRCUIT DIAGRAM



MOUNTING HOLE DIMENSIONS



LEFT/RIGHT PCB TERMINALS MOUNTING HOLE



- NOTES:
1. MOUNTING HOLES WILL ACCEPT Ø2.6 MAX PINS.
2. SWITCH PROTECTION IS IP67 IF EXCLUDE THE TERMINALS.

CHARACTERISTICS	
OPERATING FORCE:	180gf MAX.
DIFFERENTIAL FORCE:	
RELEASE FORCE:	20gf MIN.
FREE POSITION:	
OPERATING POSITION:	10.7±0.7MM.
PRE-TRAVEL:	3.8MM MAX.
DIFFERENTIAL TRAVEL:	0.7MM MAX.
OVER-TRAVEL:	1.5MM MIN.
FULL OVERTRAVEL FORCE:	

ELECTRICAL DATA	
CONTACT ARRANGEMENT	PROTECTION
S.P.D.T.	IP00 (SEE NOTE 2)
RATINGS	
0.1A 48VDC 125/250VAC	
3A 12VDC	
µ 40T85 1E5	
0.1A 48VDC 125/250VAC	
3A 12VDC	

DESIGN UNITS: MM			
TOLERANCES UNLESS NOTED:			
NO PLACES	X	±	-
ONE PLACE	.X	±	-
TWO PLACE	.XX	±	0.40
THREE PLACE	.XXX	±	-
ANGLES	X	±	2'
THIRD ANGLE PROJECTION			

DRAWN	SBH	25MAY11
CHECK	PJ	25MAY11
THIS DRAWING COVERS A PROPRIETARY ITEM AND IS THE PROPERTY OF HONEYWELL. THIS DRAWING IS NOT TO BE COPIED OR USED WITHOUT THE PERMISSION OF HONEYWELL.		
INTERPRET PER ASME Y14.5M-1994 OTHER HONEYWELL ENGINEERING STANDARDS MAY APPLY		
AUTOCAD 2D		

Honeywell				
TITLE SWITCH - BASIC				
SIZE	TYPE	CAGE CODE	DRAWING NAME	REV
A3	1	-	ZD30S60H02-Z	A
SCALE	NONE	SHEET	1	OF 1