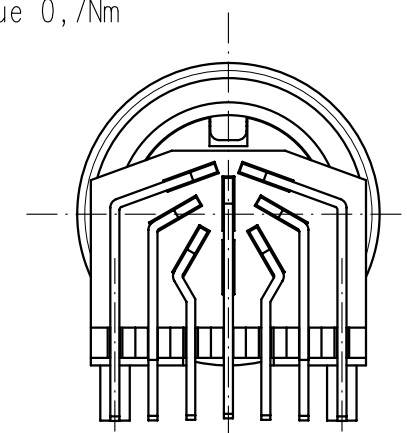
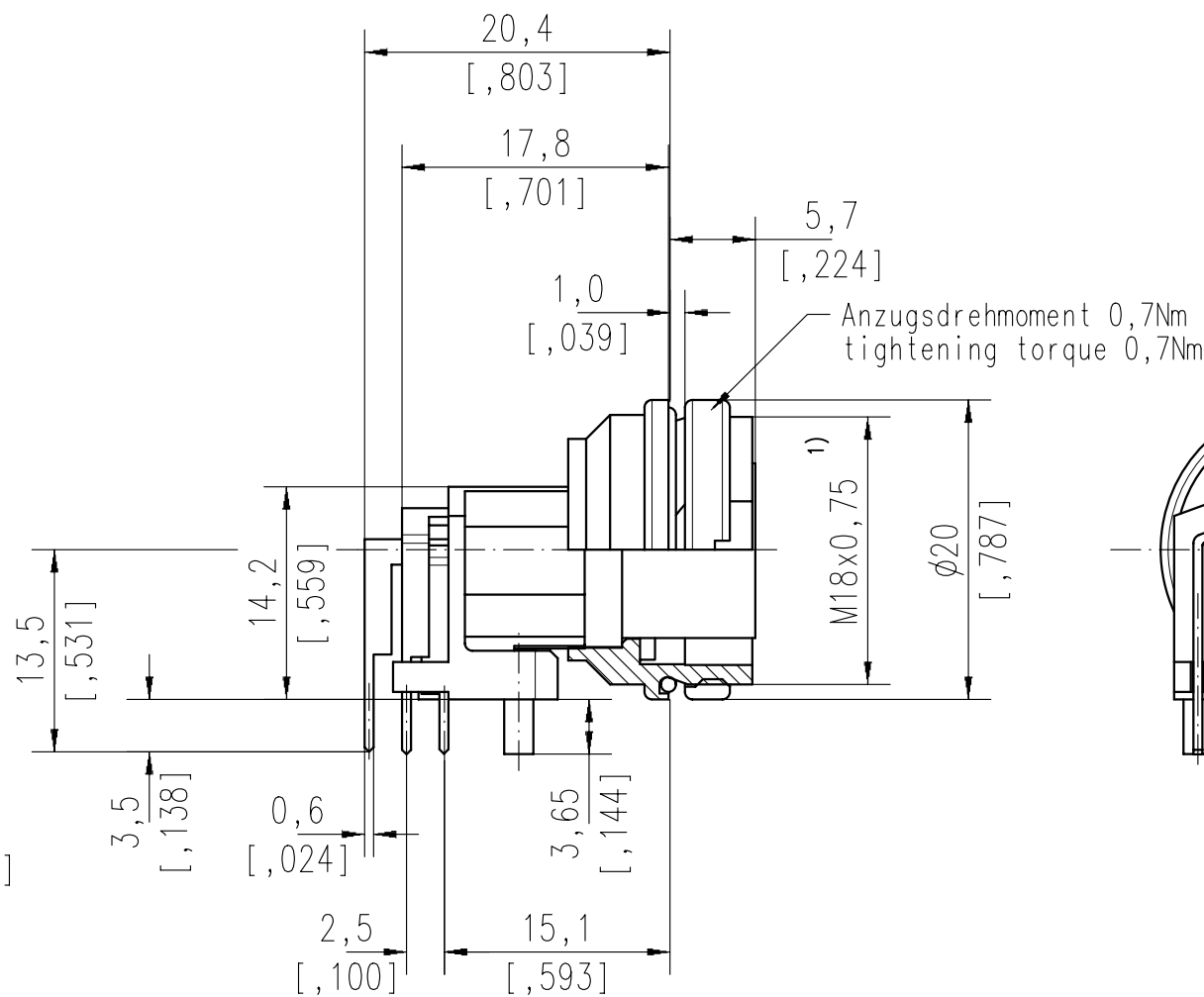
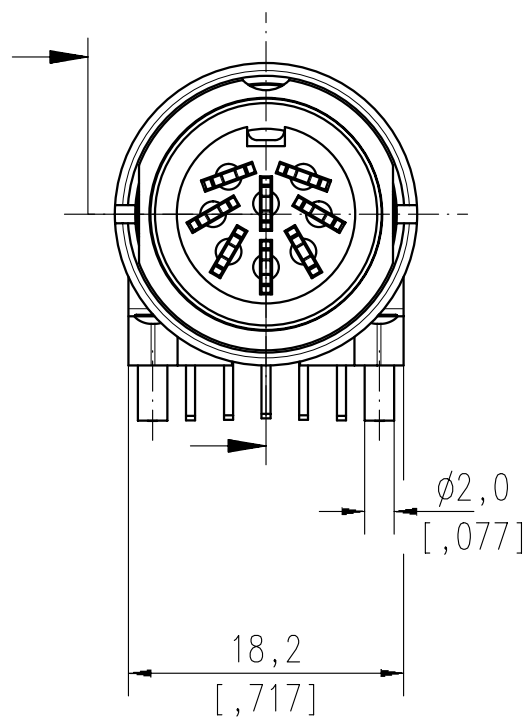
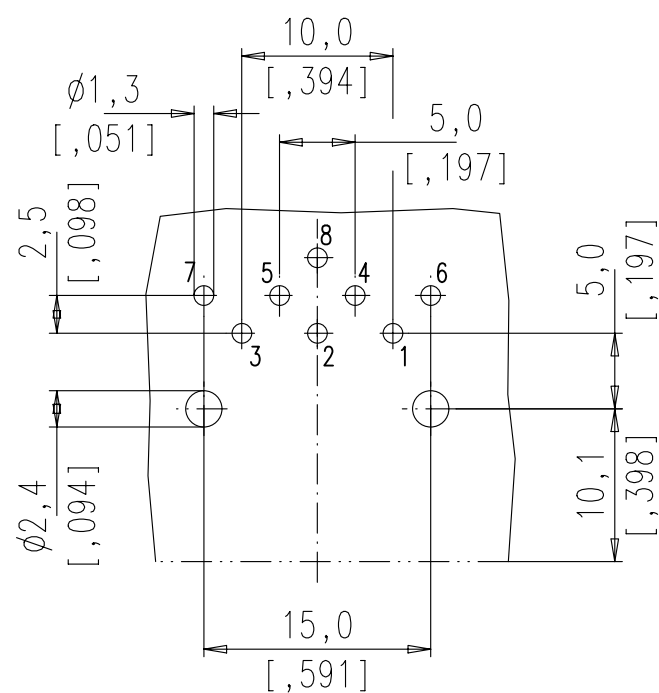


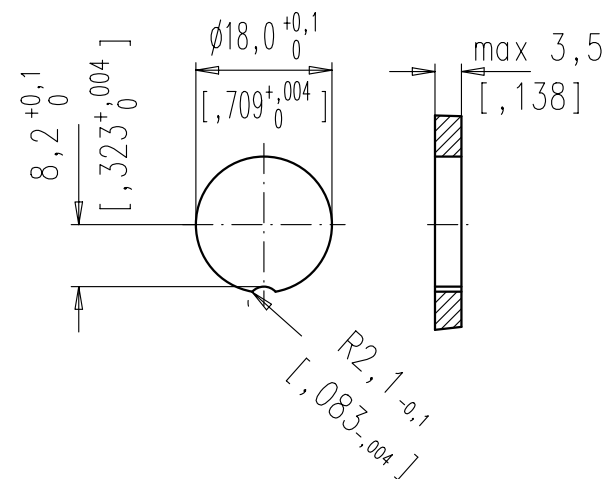
Copying of this document and giving it to others and the use or communication of the contents thereof, are forbidden without express authority. Offenders are liable to the payment of damages. All rights are reserved in the event of the grant of a patent or the registration of the utility model or design.

Lochbild für Leiterplatte  
auf Bestückungsseite gesehen  
hole pattern on PCB  
seeing on assembly side



Anzugsdrehmoment 0,7Nm  
tightening torque 0,7Nm

Montageausschnitt  
Panel Cutout



Dichtfläche eben und gratfrei.  
Sealing area must be flat  
and polished.

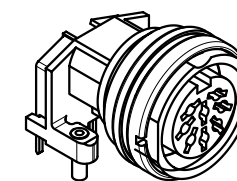
IP67 in mated condition  
further technical characteristics according  
catalog types C091D

All technical data have been measured in a laboratory environment and can be different during practical usage of the product. Any product information is for descriptive usage only and not legally binding; particularly the information does not constitute or provide any legal guaranties ("Beschaffenhheitsgarantie" or "Haltbarkeitsgarantie").

Do not connect or disconnect under load.  
Metal housing parts shall be securely incorporated to protected ground.

Remark for gold plated contacts:  
In order to avoid brittle inter-metallic connections, gold-plated terminals have to be tin-plated in the solder area.

1) thread tested with go/nogo gauge  
min. outside diameter of the thread 17,7mm  
(deviating from the standard DIN 13)



C091 51G008 200 2 U	gold plated contacts
C091 51G008 100 2 U	silver plated contacts
part number	description

Masse (errechnet)/Calc WT: 9	Zul. Abw./Tolerances:	Maßstab/Scale 2:1, 1:1	A3	
Prüfmaß/Testdimension	DIN/ISO 13715	CUSTOMER DRAWING		
Teileindex Partindexnumber	13 Datum/Date 26.08. Name Schädel	Gerätedose abgewinkelt female receptacle right angeled		
01 201300607 26.08.13 RS	Amphenol-Tuchel Electronics GmbH	M	C091 51G008 X00 2 U	Blatt/Sheet 1
Index Änderung/Description Datum/Date Name	Ers. f./Replacement for:	1 Bl.		