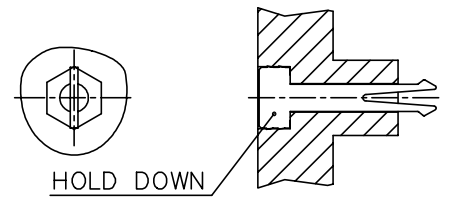
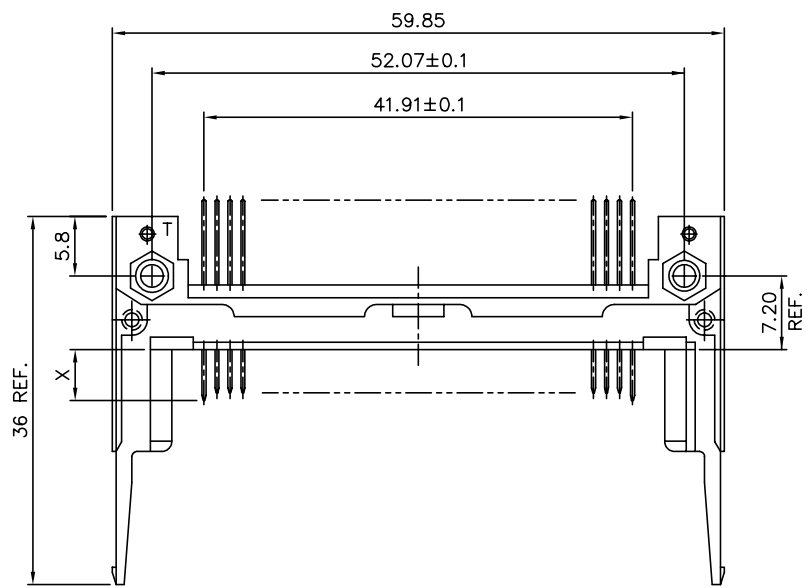
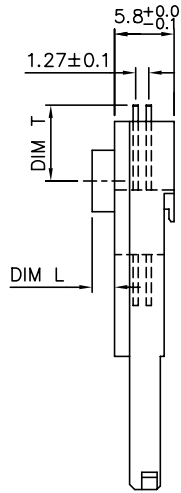


FCI CONFIDENTIAL

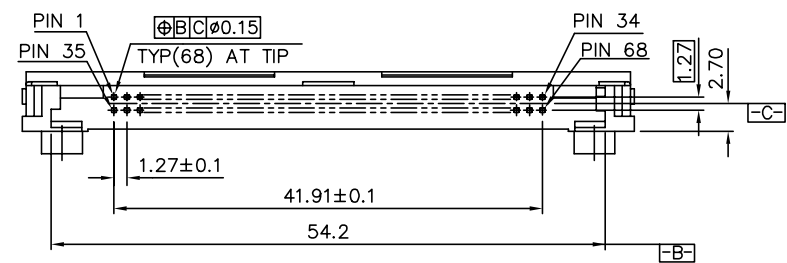


This document is the property of and embodies CONFIDENTIAL and PROPRIETARY information of FCI. No part of this information shown on this document may be used in any way or disclosed to others without the written consent of FCI.
Copyright FCI.



NOTE:
1. ADD "H" TO PART NUMBER FOR OPTIONAL HOLD DOWN (2 PER ASSEMBLY).

94937-0051LF	5.0	0.6
94937-0100M/0100MLF	0	3.0
94937-0050H/0050HLF	5.0	0.6
94937-0200/0200LF	0	3.0
94937-0150/0150LF	5.0	0.6
94937-0100/0100LF	0	3.0
94937-1522/1522LF	0	11.6
94937-1500/1500LF	0	15.9
94937-0522/0522LF	0	9.9
94937-0022/0022LF	2.2	3.0
94937-0040/0040LF	4.0	0.6
94937-0543/0543LF	0	7.5
94937-0043/0043LF	4.3	0.6
94937-0050/0050LF/0051LF	5.0	0.6
94937-0500/0500LF	0	10.9
94937-0000/0000LF	0	0.6
PRODUCT NO	DIM. L	DIM. T±0.10



- 94937-□□□□
- LEAD FREE OPTION : LF
- HOLD DOWN : H
- STAND-OFF : 00 : 0.0 mm
20 : 2.0 mm
22 : 2.2 mm
30 : 3.0 mm
40 : 4.0 mm
43 : 4.3 mm
50 : 5.0 mm
- UPPER DECK : 5
- LOWER DECK : 0
- LOWER DECK : 1
(FOR HOLLAND)
- LOWER DECK : 2
(FOR VGR)
- TOP MOUNT : 0
- TOP MOUNT : 1
- BOTTOM MOUNT : 5
- BOTTOM MOUNT : 6

DIM "X"	4.25±0.1	3.5±0.1	5.0±0.1
PIN NO.	OTHERS	36,67	1,17,34 35,51,68

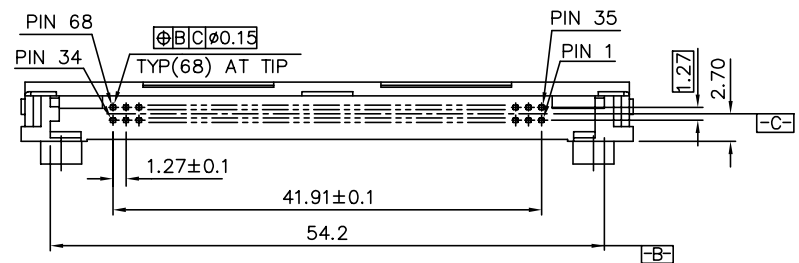
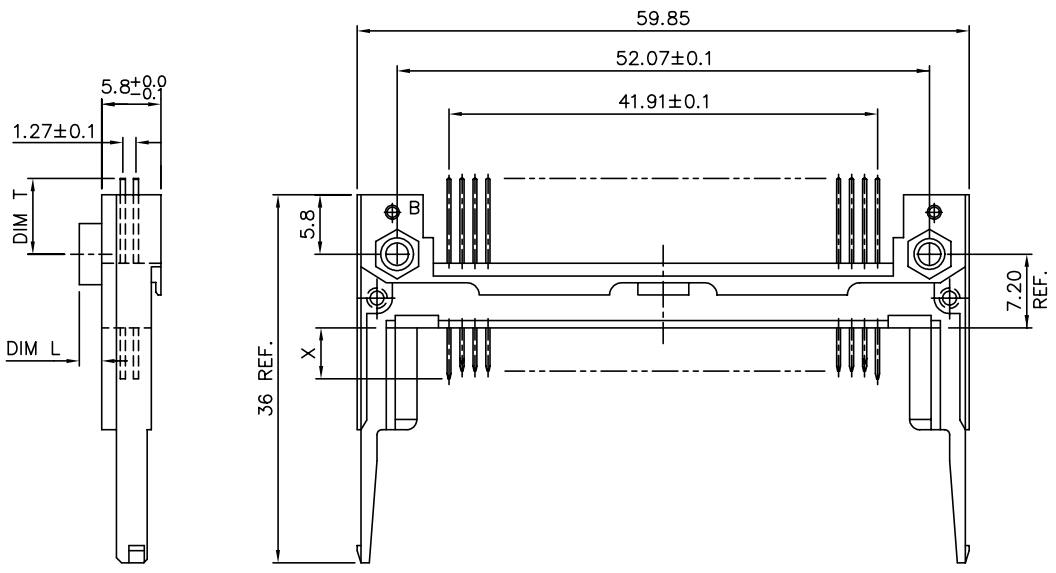
mat'l. code	surface	tolerance	projection	product family
	ISO 1302	ISO 406 ISO 1181	1181	PCMCIA
ltr ecn no dr date	tolerances unless otherwise specified		title	
Y T03-0389 WL 09/10/03	angles	linear ±0.3	MM	68 POS EJECTOR HEADER HSG HEADER ASS'Y
AA N04-0092 WB 12/01/04	±2'		scale 2:1	
AB N06-0110 MZ 07/01'06	dr	Mike Zhou	07/01'06	dwg no
AC N08-0099 MZ 05/20'08	enr	Mike Zhou	07/01'06	sheet 1 of 2
AD ELX-N-011437 ZK 04/11/12	chr	Qin David	07/01'06	size
	app	Jack Wang	07/01'06	A4
				type CUSTOMER Drawing
sheet index	revision sheet	AD AD		
		1 2		

FCI CONFIDENTIAL



This document is the property of and embodies CONFIDENTIAL and PROPRIETARY information of FCI. No part of this information shown on this document may be used in any way or disclosed to others without the written consent of FCI.
Copyright FCI.

PRODUCT NO.	DIM "X"		
94937-****/****LF	4.25±0.1	3.5±0.1	5.0±0.1
OTHERS	36,67	1,17,34 35,51,68	



- Note:
- MATERIAL
1.1 HEADER ASS'Y:
PLASTIC :HOUSING ...HIGH TEMPERATURE
THERMOPLASTIC UL94V-0 BLACK
PIN :COPPER ALLOY
 - FINISH (PIN)
UNDER PLATING :0.5 um MIN. Ni
CONTACT AREA :0.076 μm MIN. GOLD
 - SOLDER TAIL: TIN LEAD PLATING: 2.5 um MIN. Sn-Pb
LEAD FREE PLATING: 2.5 um MIN. PURE TIN
 - IF LEAD FREE P/N.THE HOUSING WILL WITHSTAND EXPOSURE TO 260°C PEAK TEMPERATURE FOR 10 SECONDS IN A WAVE SOLDER APPLICATION WITH A 1.00MM MINIMUM THICK CIRCUIT BOARD.
 - IF LEAD FREE P/N. PACKAGING MEETS GS-14-920 SPECIFICATION
 - LEAD FREE PRODUCT MEETS EUROPEAN UNION DIRECTIVES AND OTHER COUNTRY REGULATIONS AS DISCRIBLED IN GS-22-008

94937-□□□□

LEAD FREE OPTION : LF
STAND-OFF

00	: 0.0 mm
20	: 2.0 mm
22	: 2.2 mm
30	: 3.0 mm
40	: 4.0 mm
43	: 4.3 mm
50	: 5.0 mm

UPPER DECK : 5
LOWER DECK : 0
TOP MOUNT : 0
TOP MOUNT : 1
BOTTOM MOUNT : 5
BOTTOM MOUNT : 6

94937-5150/5150LF	5.0	3.0
94937-6522/6522LF	0	11.6
94937-6500/6500LF	0	15.9
94937-5522/5522LF	0	9.9
94937-5022/5022LF	2.2	3.0
94937-5543/5543LF	0	7.5
94937-5043/5043LF	4.3	0.6
94937-5050/5050LF	5.0	0.6
94937-5500/5500LF	0	10.9
94937-5000/5000LF	0	0.6
PRODUCT NO	DIM. L	DIM. T±0.10

6. PRODUCT SPEC:110-263

mat'l. code	surface ISO 1302	tolerance ISO 406 ISO 1101	projection 1:1	product family PCMCIA
ltr ecn no dr date	tolerances unless otherwise specified			title 68 POS EJECTOR HEADER HSG HEADER ASS'Y
AD	angles ±2'	linear ±0.3	MM scale 2:1	dwg no 94937
dr	Mike Zhou	07/01'06		sheet 2 of 2 size A4
enr	Mike Zhou	07/01'06		type CUSTOMER Drawing
chr	Qin David	07/01'06		
appd	Jack Wang	07/01'06		
sheet index	revision sheet			