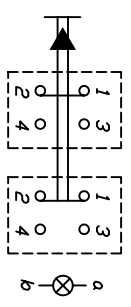
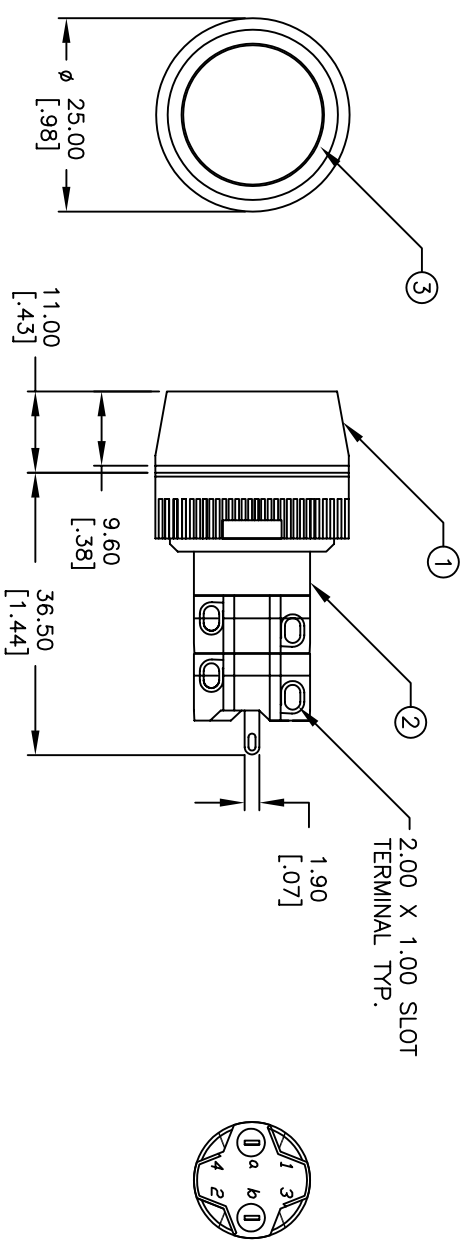


RECOMMENDED PANEL MOUNTING

PARTS LIST		
Item	Qty.	Dwg. No. Part No.
1	1	F051702 25mm RING FOR LA SERIES
2	1	F060607 LASOAV120
3	1	F060255 25mm RED LENS



DPST CONTACT CONFIGURATION



- NOTES:
1. ALL DIMENSIONS IN MM [INCH]
 2. GENERAL TOLERANCE: X.X=±0.4
X.XX=±0.25
 3. RATINGS: 250VAC @1A, 2A, 4A, 5A

A	11196	RELEASED FOR PRODUCTION	1/25/01	CJB
REV.	ECN No.	DESCRIPTION	DATE	CHKD

TITLE: LAS DA V1 20 RED (W/O LAMP)

SCALE: 1:1

DATE: 1/25/01

DR: CJB

DWG: XF0384A

REV: A

THE INFORMATION CONTAINED IN THIS DOCUMENT IS PROPRIETARY TO E-SWITCH AND IS NOT TO BE COPIED OR TRANSFERRED