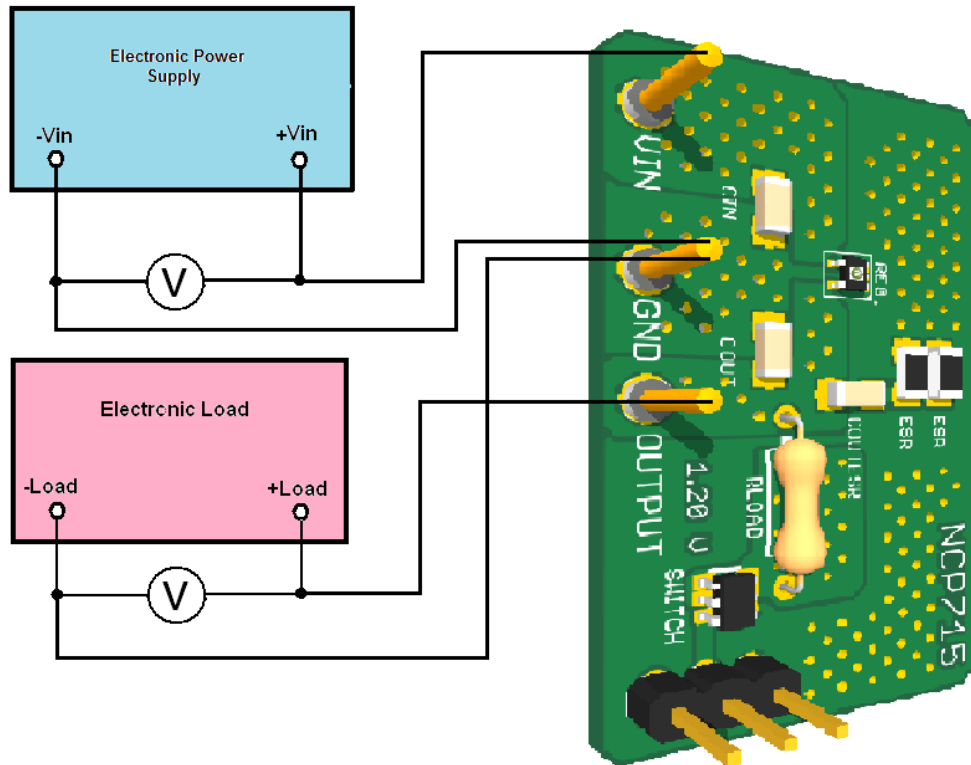




Test Procedure for the NCP715SQT2GEVB Evaluation Board



Test procedure:

1. Check the Voltage Version (It is mentioned next to OUTPUT terminal on the demoboard.)
2. Connect the test setup as shown Figure above
3. Apply an input voltage $V_{in} = 6.0 \text{ V}$
4. Apply $I_{out} = 0\text{mA}$ load.
5. Check that V_{out} is:
 - 1.2 V +/-2% for 1.2 V voltage version**
 - 1.5 V +/-2% for 1.5 V voltage version**
 - 1.8 V +/-2% for 1.8 V voltage version**
 - 2.5 V +/-2% for 2.5 V voltage version**
 - 3.3 V +/-2% for 3.3 V voltage version**
 - 5.0 V +/-2% for 5.0 V voltage version**

6. Increase Iout up to **50 mA**

7. Check that Vout is :

1.2 V +/-2% for 1.2 V voltage version

1.5 V +/-2% for 1.5 V voltage version

1.8 V +/-2% for 1.8 V voltage version

2.5 V +/-2% for 2.5 V voltage version

3.3 V +/-2% for 3.3 V voltage version

5.0 V +/-2% for 5.0 V voltage version

8. Increase Vin up to **24.0 V** and decrease the load in accordance with **Safe Operation Area**

9. Power down the Load

10. Power down the Vcc

11. End of test