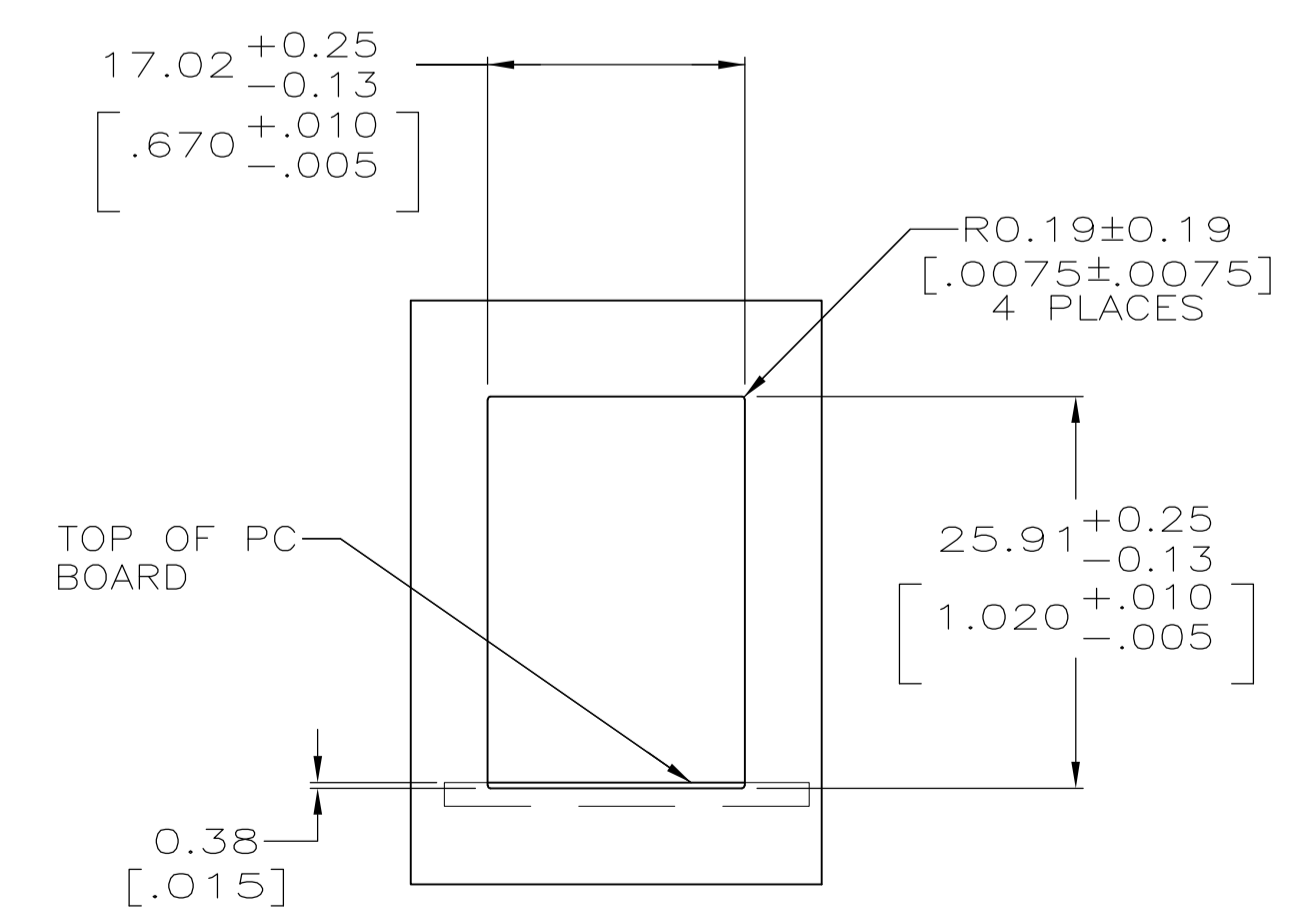
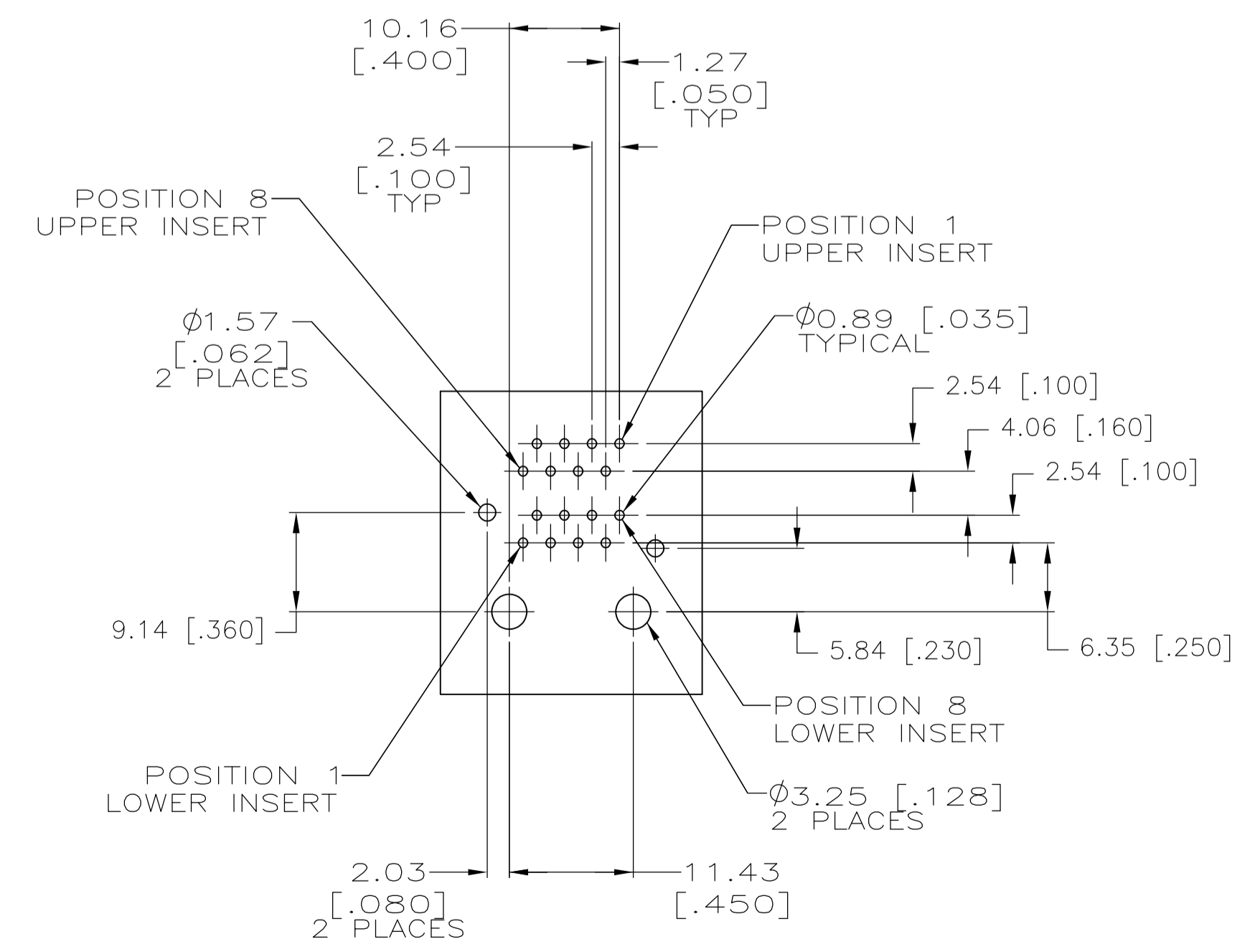
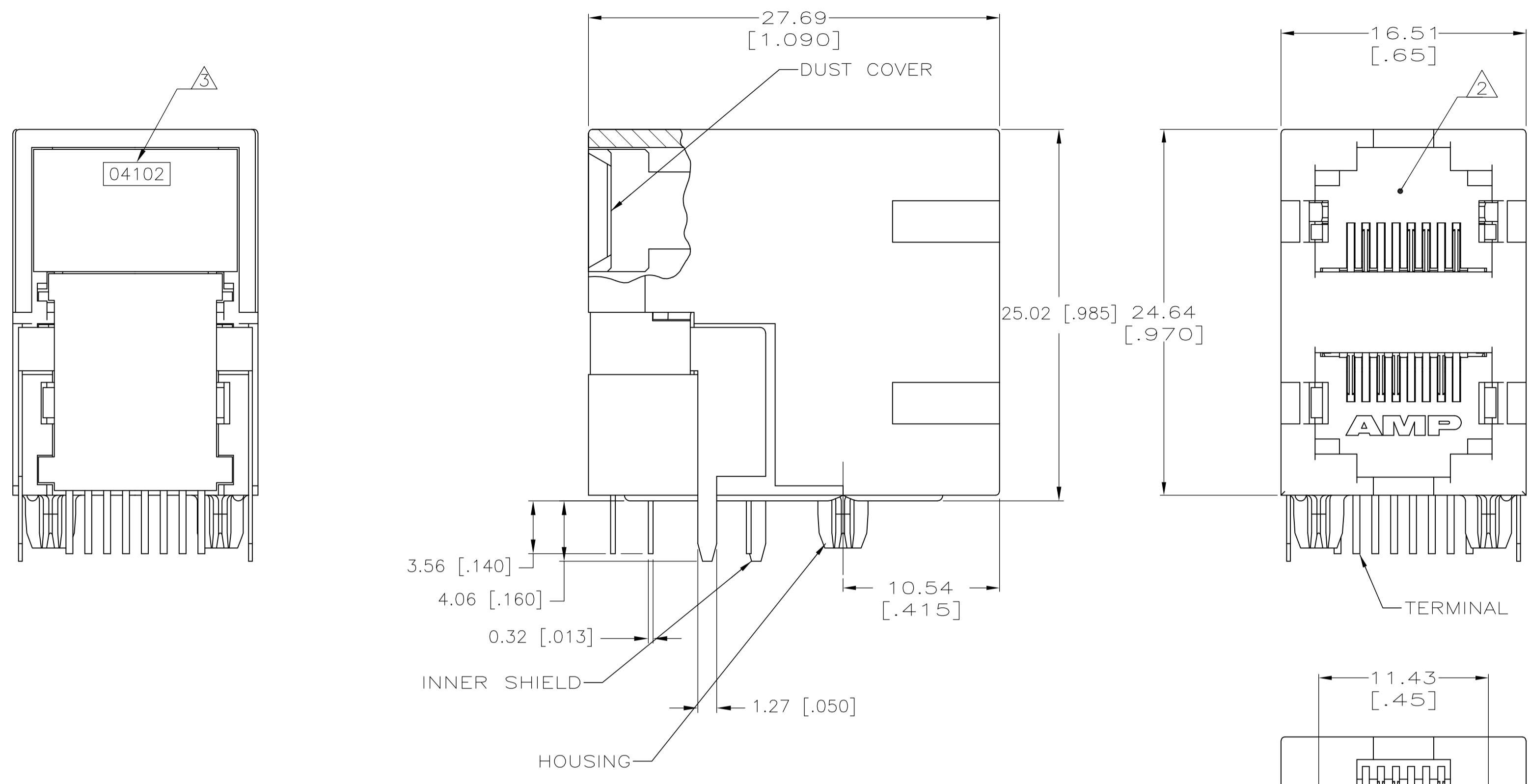


LOC		DIST		REVISIONS			
P	LTR	DESCRIPTION	DATE	DMN	APVD		
C	REV PER	ECO-10-025565	15DEC10	JJ	MQW		

1. MATERIAL:
 HOUSING - PCT POLYESTER, BLACK, UL94V-0.
 OVERMOLDED TERMINAL ARRAY - PBT, BROWN.
 TERMINALS - 0.33 [.013] THICK PHOS BRONZE PLATED WITH 1.27µm [.000050] MIN THICK HARD GOLD IN LOCALIZED AREA AND 3.81µm [.000150] MIN THICK MATTE TIN IN SOLDER AREA OVER 1.27µm [.000050] MIN THICK NICKEL UNDERPLATE.
 SHIELD - 0.25 [.010] THICK COPPER ALLOY PLATED WITH 2.03µm [.000080] MIN BRIGHT TIN OVER 1.27 [.000050] MIN NICKEL
- △ JACK CAVITY CONFORMS TO FCC RULES AND REGULATIONS, PART 68 SUBPART F.
- △ DATE CODE LOCATED ON REAR OF PART APPROXIMATELY AS SHOWN:
 FIRST 2 DIGITS ARE LAST 2 DIGITS OF YEAR, SECOND 2 DIGITS ARE MANUFACTURING WORK WEEK, LAST DIGIT IS DAY OF WEEK, WITH SUNDAY = 1.



5569450-1
PART NUMBER

PC BOARD LAYOUT VIEWED FROM COMPONENT SIDE SCALE 2:1

SUGGESTED PANEL CUTOUT DIMENSIONS SCALE 2:1

THIS DRAWING IS A CONTROLLED DOCUMENT.		DIN T. SPRINKLE/L.A. MAYER 08JUN2005	Tyco Electronics Corporation Harrisburg, Pa 17105-3608	
DIMENSIONS: mm [INCHES]		CHK J. WESTMAN 08JUN2005	APVD S. FLICKINGER 08JUN2005	
TOLERANCES UNLESS OTHERWISE SPECIFIED:		NAME		
0. PLC ± -	1. PLC ± -	PRODUCT SPEC		
2. PLC ± 0.25(.01)	3. PLC ± 0.13(.005)	108-1163-2		
4. PLC ANGLES ± -		APPLICATION SPEC		
		114-2048		
MATERIAL SEE NOTE 1	FINISH SEE NOTE 1	WEIGHT -	SIZE A1	RESTRICTED TO -
		00779	C=5569450	
CUSTOMER DRAWING		SCALE 4:1	SHEET 1 OF 1	REV C