

4

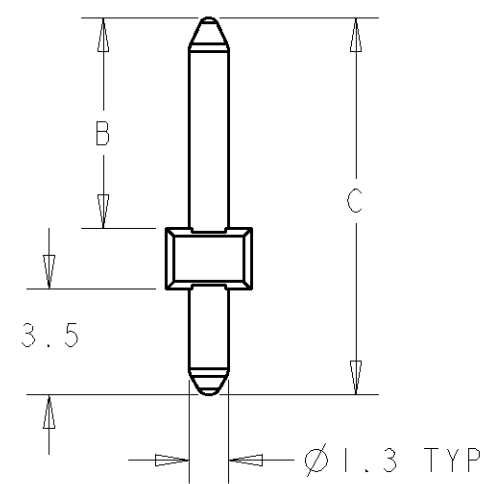
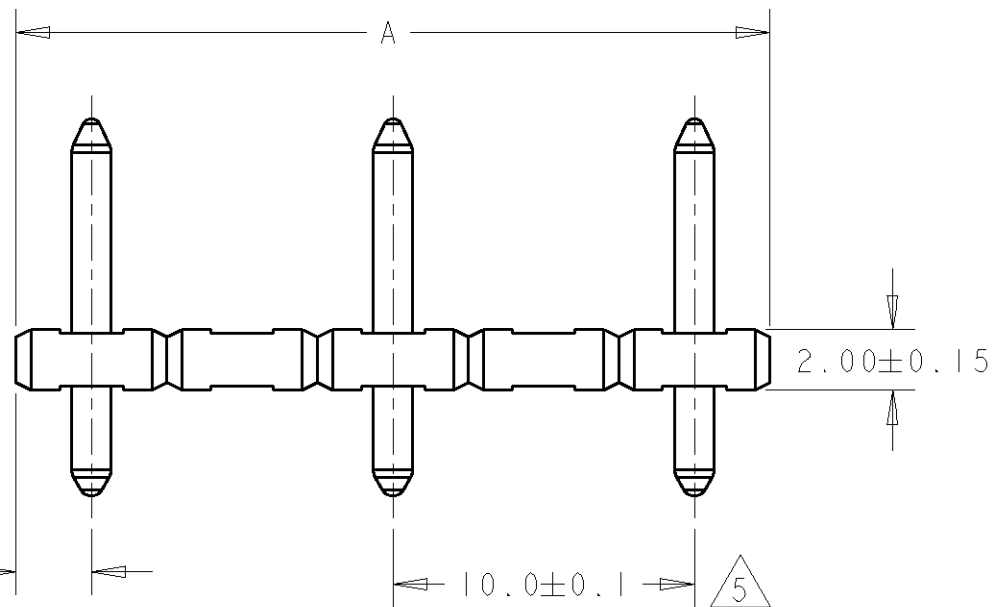
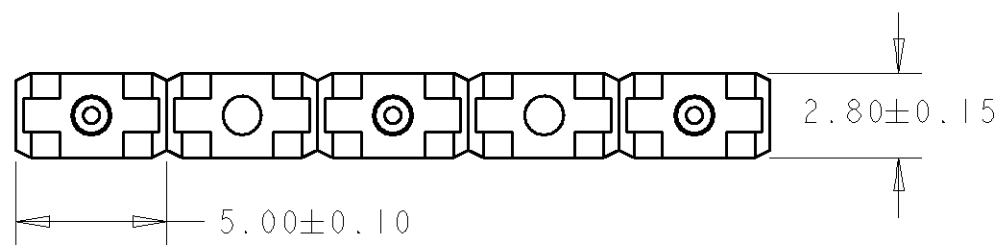
3

2

1

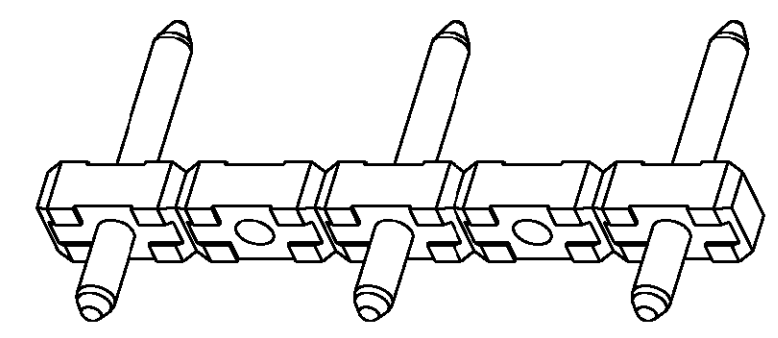
THIS DRAWING IS UNPUBLISHED. RELEASED FOR PUBLICATION 20  
 © COPYRIGHT 20 BY TYCO ELECTRONICS CORPORATION. ALL RIGHTS RESERVED.

LOC	DIST	REVISIONS					
		P	LTR	DESCRIPTION	DATE	DWN	APVD
FT	0		C	REVISED PER 0G3B-0119-01	15AUG2001	EZ	DB
			D	REVISED PER 0G3B-0044-02	22JUL2002	JS	CR



1. MATERIALS AND FINISH  
 HOUSING: PA 6-6, UL 94-V0, COLOR GREEN.  
 TERMINAL: BRASS, TIN PLATED.
2. SUITABLE FOR 1,6-2,4mm PC BOARD THICKNESS.
3. RECOGNIZED UNDER THE COMPONENT PROGRAM OF UNDERWRITERS LABORATORIES INC. FILE N° E60677.
4. IMQ CERTIFICATE WITH SURVEILLANCE IN CONFORMITY WITH IEC 998-1/998-2-1.

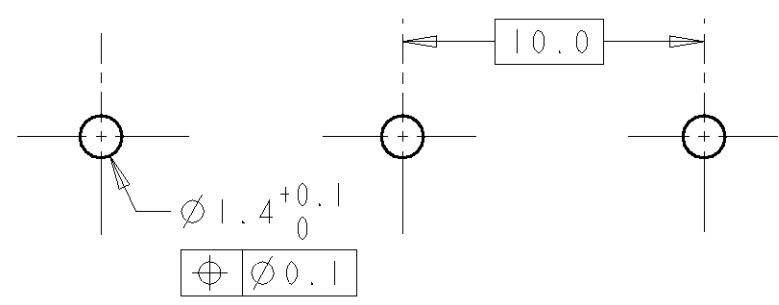
5. NOT CUMULATIVE TOLERANCE.



282833-3 AS SHOWN

16.5	11.0	25	3	1-282833-3
12.5	7.0	55	6	282833-6
12.5	7.0	45	5	282833-5
12.5	7.0	35	4	282833-4
12.5	7.0	25	3	282833-3
12.5	7.0	15	2	282833-2
DIM C	DIM B	DIM A	N° OF POS.	PART NUMBER

RECOMMENDED PC BOARD LAYOUT



THIS DRAWING IS A CONTROLLED DOCUMENT FOR TYCO ELECTRONICS CORPORATION. IT IS SUBJECT TO CHANGE AND THE CONTROLLING ENGINEERING ORGANIZATION SHOULD BE CONTACTED FOR THE LATEST REVISION.

DIMENSIONS: mm	TOLERANCES UNLESS OTHERWISE SPECIFIED: 0 PLC ±0 1 PLC ±.3 2 PLC ±.25 3 PLC ±0 4 PLC ±0 ANGLES ±2	DWN J. STAUFFER 22JUL2002 CHK C. RICHARD 22JUL2002 APVD C. RICHARD 22JUL2002	<b>BUCHANAN</b> Tyco Electronics Harrisburg, PA 17105-3608
MATERIAL	FINISH	PRODUCT SPEC 10820166 APPLICATION SPEC 114-20079 WEIGHT -	NAME TERMINAL BLOCK PIN HEADER UNSHROUDED 10MM PITCH
		CUSTOMER DRAWING	SIZE A3 CAGE CODE 00779 DRAWING NO C=282833 RESTRICTED TO -
		SCALE 4:1	SHEET 1 OF 1 REV D