

GMSTBVA 2,5/ 2-G-7,62

Order No.: 1766770

The figure shows a 10-position version of the product

<http://eshop.phoenixcontact.de/phoenix/treeViewClick.do?UID=1766770>Header, Nominal current: 12 A, Nom. voltage: 400 V, Pitch: 7.62 mm,
Number of positions: 2, Color: green, Assembly: Soldering

Commercial data

| | |
|--------------------------|--------------------|
| EAN | 4017918032791 |
| Pack | 50 pcs. |
| Customs tariff | 85366990 |
| Weight/Piece | 0.001278 KG |
| Catalog page information | Page 277 (CC-2009) |

Product notes

WEEE/RoHS-compliant since:
01/01/2003

<http://www.download.phoenixcontact.com>
Please note that the data given here has been taken from the online catalog. For comprehensive information and data, please refer to the user documentation. The General Terms and Conditions of Use apply to Internet downloads.

Technical data

Dimensions / positions

| | |
|---------------------|----------|
| Length | 8.6 mm |
| Pitch | 7.62 mm |
| Dimension a | 7.62 mm |
| Number of positions | 2 |
| Pin dimensions | 1 x 1 mm |

| | |
|------------------------------------|--------|
| Hole diameter | 1.4 mm |
| Technical data | |
| Insulating material group | I |
| Rated surge voltage (III/3) | 6 kV |
| Rated surge voltage (III/2) | 6 kV |
| Rated surge voltage (II/2) | 6 kV |
| Rated voltage (III/2) | 630 V |
| Rated voltage (II/2) | 630 V |
| Connection in acc. with standard | EN-VDE |
| Nominal current I_N | 12 A |
| Nominal voltage U_N | 400 V |
| Maximum load current | 12 A |
| Insulating material | PA |
| Inflammability class acc. to UL 94 | V0 |

Certificates / Approvals



Certification CB, CSA, CUL, GOST, UL, VDE-PZI

CSA

| | |
|-----------------------|-------|
| Nominal voltage U_N | 300 V |
| Nominal current I_N | 10 A |

CUL

| | |
|-----------------------|-------|
| Nominal voltage U_N | 300 V |
| Nominal current I_N | 10 A |

UL

| | |
|-----------------------|-------|
| Nominal voltage U_N | 300 V |
| Nominal current I_N | 10 A |

Accessories

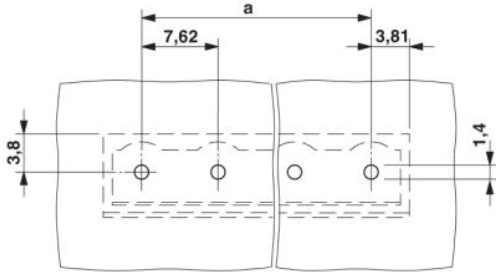
| Item | Designation | Description |
|---------------------|--------------------------|---|
| Assembly | | |
| 1755477 | MSTB-BL | Keying cap, for forming sections, plugs onto header pin, green insulating material |
| Marking | | |
| 0804549 | SK 7,62/3,8:FORTL.ZAHLEN | Marker card, printed horizontally, self-adhesive, 10-section marker strip, 12 identical decades marked 1-10, 11-20 etc. up to 91-99, sufficient for 120 terminal blocks |
| Plug/Adapter | | |
| 1734401 | CR-MSTB | Coding section, inserted into the recess in the header or the inverted plug, red insulating material |

Additional products

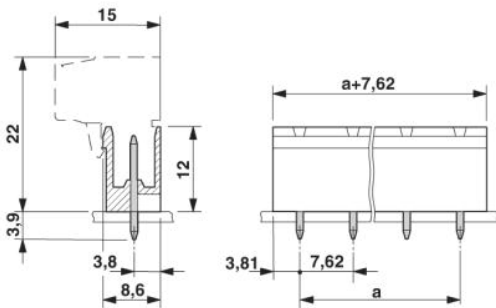
| Item | Designation | Description |
|----------------|----------------------------|---|
| General | | |
| 1806119 | FRONT-GMSTB 2,5/ 2-ST-7,62 | Plug component, Nominal current: 12 A, Nom. voltage: 400 V, Pitch: 7.62 mm, Number of positions: 2, Connection type: Screw connection, Color: green |
| 1828676 | GIC 2,5/ 2-G-7,62 | Header, Nominal current: 12 A, Nom. voltage: 500 V, Pitch: 7.62 mm, Number of positions: 2, Assembly: Soldering |
| 1828919 | GICV 2,5/ 2-G-7,62 | Header, Nominal current: 12 A, Nom. voltage: 500 V, Pitch: 7.62 mm, Number of positions: 2, Assembly: Soldering |
| 1766990 | GMSTB 2,5/ 2-ST-7,62 | Plug component, Nominal current: 12 A, Nom. voltage: 400 V, Pitch: 7.62 mm, Number of positions: 2, Connection type: Screw connection, Color: green |
| 1832523 | GMVSTBR 2,5/ 2-ST-7,62 | Plug component, Nominal current: 12 A, Nom. voltage: 500 V, Pitch: 7.62 mm, Number of positions: 2, Connection type: Screw connection, Color: green |
| 1832413 | GMVSTBW 2,5/ 2-ST-7,62 | Plug component, Nominal current: 12 A, Nom. voltage: 500 V, Pitch: 7.62 mm, Number of positions: 2, Connection type: Screw connection, Color: green |

Diagrams/Drawings

Drilling plan/solder pad geometry



Dimensioned drawing



Address

PHOENIX CONTACT Inc., USA
586 Fulling Mill Road
Middletown, PA 17057, USA
Phone (800) 888-7388
Fax (717) 944-1625
<http://www.phoenixcon.com>



© 2010 Phoenix Contact
Technical modifications reserved;