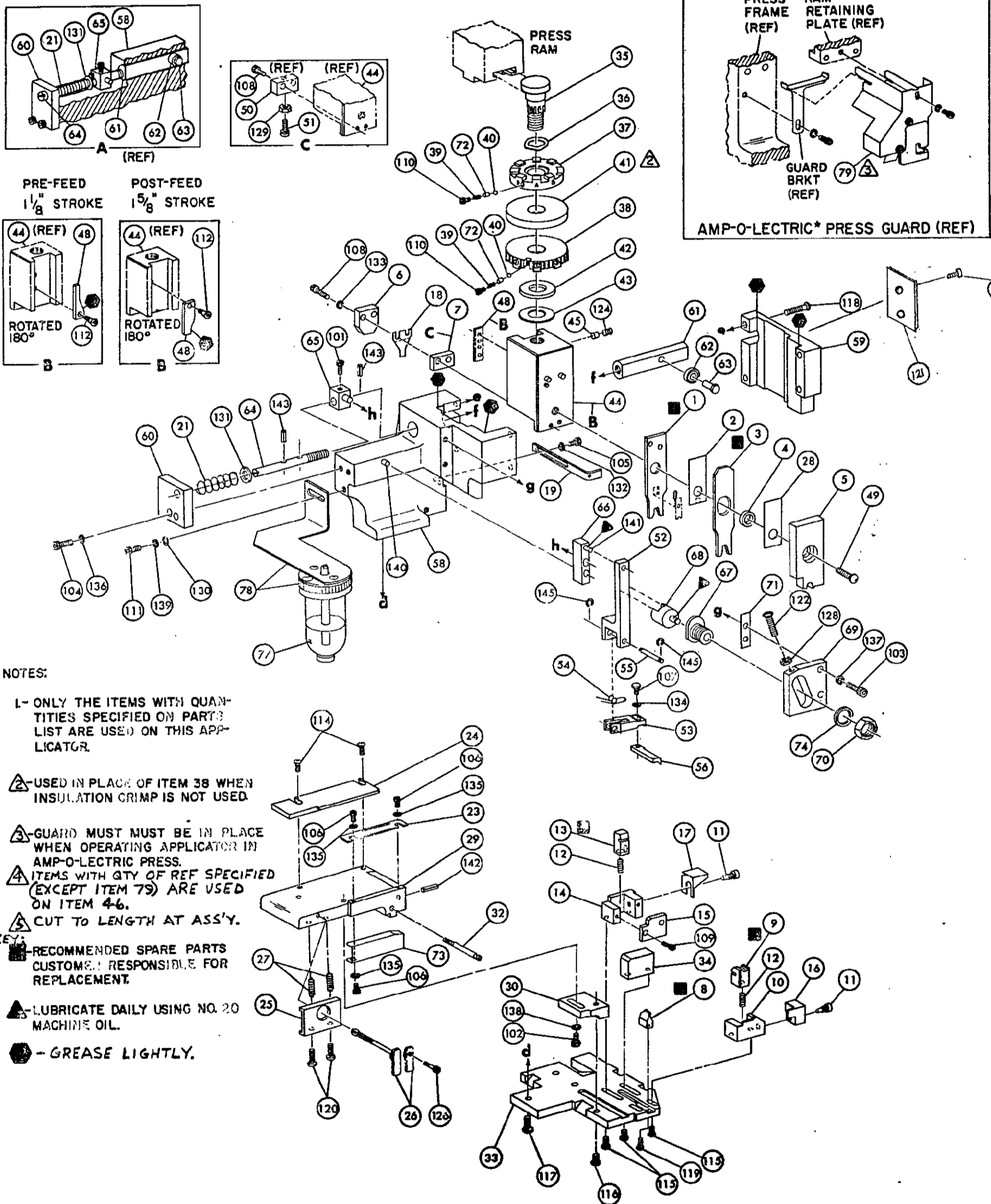


THIS DRAWING IS A CONTROLLED DOCUMENT FOR AMP INCORPORATED. IT IS SUBJECT TO CHANGE WITHOUT NOTICE. THE LATEST REVISION SHOULD BE CONTACTED FOR THE LATEST REVISION.



**NOTES:**

- 1- ONLY THE ITEMS WITH QUANTITIES SPECIFIED ON PARTS LIST ARE USED ON THIS APPLICATOR.
- △ USED IN PLACE OF ITEM 38 WHEN INSULATION CRIMP IS NOT USED.
- △ GUARD MUST BE IN PLACE WHEN OPERATING APPLICATOR IN AMP-O-LECTRIC PRESS.
- △ ITEMS WITH QTY OF REF SPECIFIED (EXCEPT ITEM 79) ARE USED ON ITEM 46.
- △ CUT TO LENGTH AT ASS'Y.
- KEY: - RECOMMENDED SPARE PARTS CUSTOMER RESPONSIBLE FOR REPLACEMENT.
- △ LUBRICATE DAILY USING NO. 20 MACHINE OIL.
- - GREASE LIGHTLY.

REF	QTY	PART NO	DESCRIPTION	ITEM	REF	QTY	PART NO	DESCRIPTION	ITEM
REF		21045-3	RING, RETAINING 'C' (.187 DIA) FEED FINGER PIN	145	REF	454220-1	CAP, HOUSING	59	
REF		5-21028-1	PIN, SLOT SPR (.125 DIA X .50) ADJ ROD	144	REF	454489-1	HOUSING	57	
REF	1	4-21028-0	PIN, SLOT SPR (.093 DIA X .75) STR G PLATE	143		690542-2	PAWL, FEED	56	
REF	1	1-21030-1	PIN, DOWEL (.187 DIA X .50) LEVER	142	1	240824-1	PIN, FEED FINGER	55	
REF	1	1-21030-6	PIN, DOWEL (.187 DIA X 1.25) HOUSING	141	REF	691499-1	SPRING, FEED FINGER	54	
		21024-5	WASHER, LOCK (NO 10) LUB ASSY	139	REF	690541-1	FINGER, FEED	53	
		21024-5	WASHER, LOCK (NO 10) STRIP GUIDE ADJ BLOCK	138	REF	455679-1	LEVER, TERMINAL FEED ARM	52	
REF	1	21024-5	WASHER, LOCK (NO 10) ADJ PLATE	137	1	811242-2	BUMPER, HOLDDOWN	51	
REF	1	21024-5	WASHER, LOCK (NO 10) FEED GUIDE ROD	136	1	690753-1	SPACER, TONKER	50	
3		21057-2	WASHER, LOCK (NO 4) FRONT STRIP GUIDE	135	1	7-21002-9	BOLT, CRIMPER	49	
1		21024-4	WASHER, LOCK (NO 8) FEED FINGER	134	1	690501-4	CAM POST-FEED	15/8 STROKE	
		21024-4	WASHER, LOCK (NO 8) DEPRESSOR	133				47	
1		21024-4	WASHER, LOCK (NO 8) STRIPPER	132	1	459456-1	APPLICATOR, BASIC (SUB ASSY)	46	
REF	1	21899-4	WASHER, FLAT (5/16 DIA) SCREW ADJ	131	1	690191-1	PLUG, NYLON	45	
		21899-2	WASHER, FLAT (NO 10) LUB ASSY	130	1	455673-1	RAM	44	
1		21068-5	NUT, HEX MACH (6-32) HOLDDOWN	129	1	690125-1	WASHER, LAMINATED	43	
REF	1	21068-5	NUT, HEX MACH (6-32) FEED ADJ	128	1	690124-1	WASHER, RAM	42	
		22353-8	SCR, SHLD. (.187 DIA X .250 LG) DRAG LEVER	127	1	690223-1	DISC, SPACER	41	
1		21009-2	SCR, SKT SET (1/4-20 X .25) (LOC-WEL) RAM	124		23241-6	BALL, STEEL	40	
2		21017-2	SCR, DRIVE # 2 X .19	123	1	690170-1	SPRING, COMPRESSION	39	
REF	1	3-21064-2	SCR, RD HD MACH (6-32 X 1.50) FEED ADJ	122	1	690692-7	DISC, INSULATION	38	
1		461264-1	PLATE, IDENTIFICATION	121	1	22480-5	WASHER, SPRING	36	
2		2-21002-0	SCR, BUT HD SKT CAP (10-32 X .88) DRAG	120	1	690212-1	POST, RAM	35	
1		22733-8	SCR, BUT HD SKT CAP (8-32 X .38) (LOC-WEL) ANVIL	119	REF	692776-1	SUPPORT, TERMINAL	34	
REF	1	2-21002-9	SCR, BUT HD SKT CAP (10-32 X .75) CAP	118	1	455675-1	PLATE, BASE	33	
REF	2	2-22733-9	SCR, BUT HD SKT CAP (1/4-20 X .75) HOUSING	117	1	690432-3	SCREW, ADJUSTMENT	32	
REF	4	2-21002-2	SCR, BUT HD SKT CAP (10-32 X .50) SG ADJ BLOCK	116	REF	455689-1	BLOCK, STRIP GUIDE ADJ	30	
2		2-21002-2	SCR, BUT HD SKT CAP (8-32 X .50) SHEAR	115	1	1-455671-6	PLATE, STRIP GUIDE	29	
1		2-21002-2	SCR, BUT HD SKT CAP (8-32 X .50) R STRIP GUIDE	114	1	1-455889-0	SPACER, FRONT SHEAR DEPRESSOR	28	
		1-21002-7	SCR, BUT HD SKT CAP (6-32 X .38) CAM	112	1	1-22784-0	SPRING, DRAG	27	
		3-21000-4	SCR, SKT HD CAP (10-32 X .38) LUBRICATOR ASSY	111	1	690546-1	LEVER, DRAG RELEASE	26	
2		23030-1	SCR, SKT HD CAP (6-32 X .25) (LOC-WEL) CP DISC	110	1	240792-1	DRAG, STOCK	25	
2		2-21000-7	SCR, SKT HD CAP (8-32 X .50) REAR SHEAR PLATE	109	1	690504-6	GUIDE STRIP (REAR)	24	
1		2-22503-0	SCR, HEX HD MACH (8-32 X .31) FEED FINGER	108	1	690438-1	GUIDE, STRIP (FRONT)	23	
3		1-21000-3	SCR, SKT HD CAP (4-40 X .25) F STRIP GUIDE	107	REF	4-22284-9	SPRING, FEED RETURN	21	
1		2-21000-7	SCR, SKT HD CAP (8-32 X .50) STRIPPER	106				20	
REF	3	3-21000-7	SCR, SKT HD CAP (10-32 X .75) FEED ROD GUIDE	105	1	690472-2	STRIPPER	19	
REF	1	3-21000-6	SCR, SKT HD CAP (10-32 X .62) FEED ADJ BLOCK	104				18	
REF	1	3-21000-4	SCR, SKT HD CAP (10-32 X .38) SG ADJ BLOCK	103				17	
1		3-21000-4	SCR, SKT HD CAP (10-32 X .38) SG ADJ BLOCK	102	1	691667-1	GUARD, CHIP (FRONT)	16	
REF	1	455749-1	GUARD, WINDOW	101				15	
		1-485184-0	LUBRICATOR ASSY	79				14	
			OIL, LUBRICATING	78				13	
				77	1	5-22280-0	SPRING, SHEAR	12	
				76	1	690461-1	STOP, SHEAR	11	
REF	1	458109-1	WASHER, SPECIAL	75	1	690459-1	HOLDER, SHEAR (FRONT)	10	
1		454877-3	PLATE, STRIP GUIDE COVER	74	1	454276-1	SHEAR, FLOAT (FRONT)	9	
1		690603-1	SPRING, ASSIST	73	1	9-690512-1	ANVIL	8	
REF	1	690517-1	SPACER	72				7	
		22594-8	NUT, HEX	71				6	
		240628-1	PLATE, ADJUSTMENT	70	1	1-455889-4	DEPRESSOR, SHEAR (FRONT)	5	
		240626-1	SHAFT, PIVOT	69				4	
		240633-1	BUSHING	68				3	
		455680-1	LEVER, INTERMEDIATE	67				2	
		240629-1	BLOCK, PIVOT	66	1	454406-2	CRIMPER, WIRE	1	
		240632-2	SCREW, ADJUSTMENT FEED ROD	64					
		240659-3	PIN, CAM ROLLER	63					
		240658-1	ROLLER, CAM	62					
		454398-2	ROD, FEED	61					
REF		454178-1	GUIDE, FEED ROD	60					

CRIMPING DATA				APPLICATOR WILL APPLY	
PAD LTR	CRIMP HEIGHT	WIRE SIZE	STRIP LENGTH	62505	
A	.053	18			
B	NOT USED				
C	.049	20			
D	.047	22			
CRIMP	SIZE	TYPE	FEED	APPL INST	
WIRE	.090	F	405	A1 8040	
INSUL	-	-			
WIRE RANGE		INSULATION RANGE		PRESS NO	
22-18		-		-	
REMARKS					
AMPOMATOR POST-FEED					
I. D. PLATE (REF): 461264-1					

REMARKS	NO	REV
APPL USED ON MACHINE PART NO	MACH SERIAL NO	DISTRIBUTION
CUSTOMER NAME	APPL SERIAL NO	ORIGINAL
ADDRESS	PURCHASE ORDER	CUSTOMER COPY
CITY	ENG APP	FIELD ENG COPY