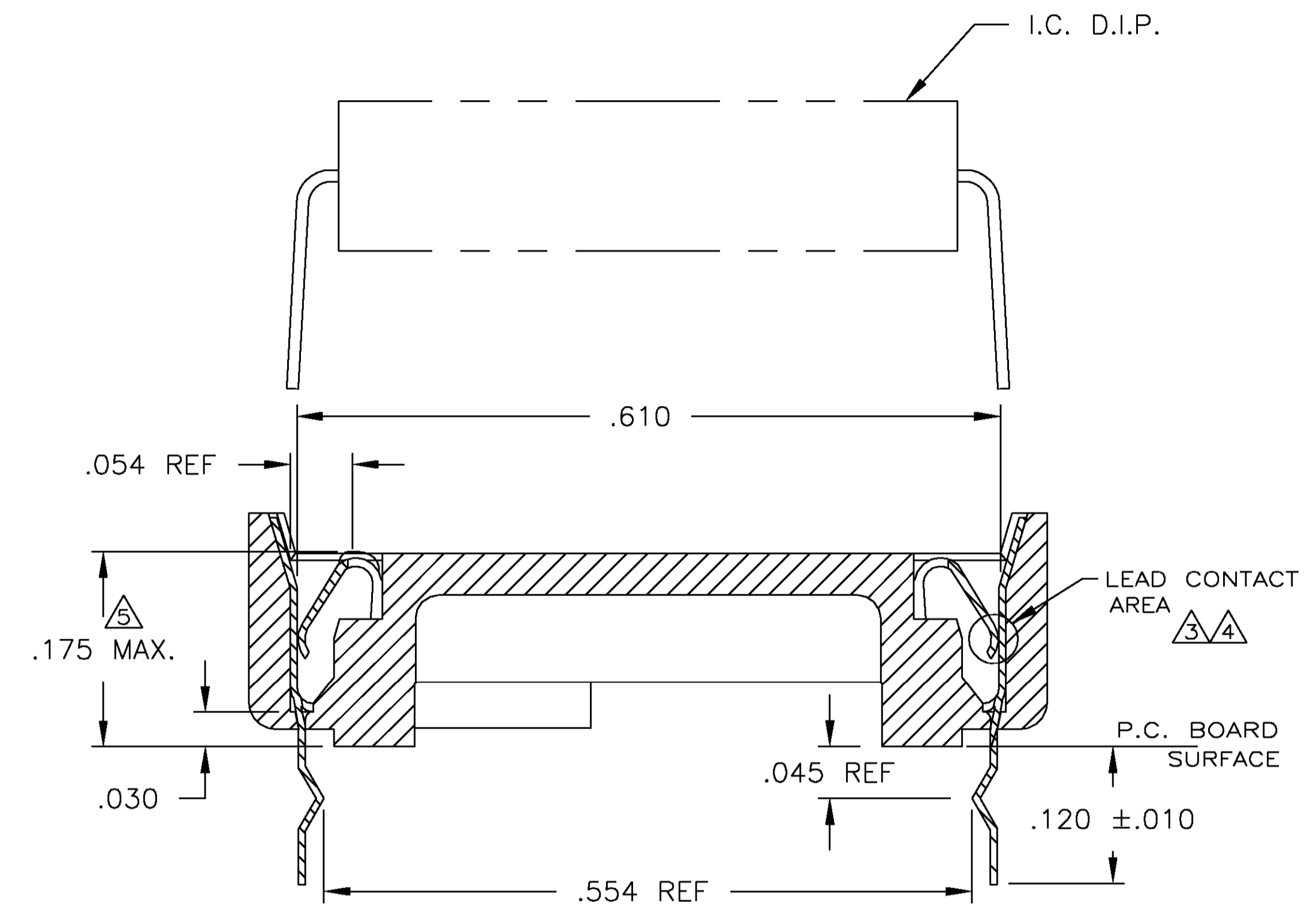
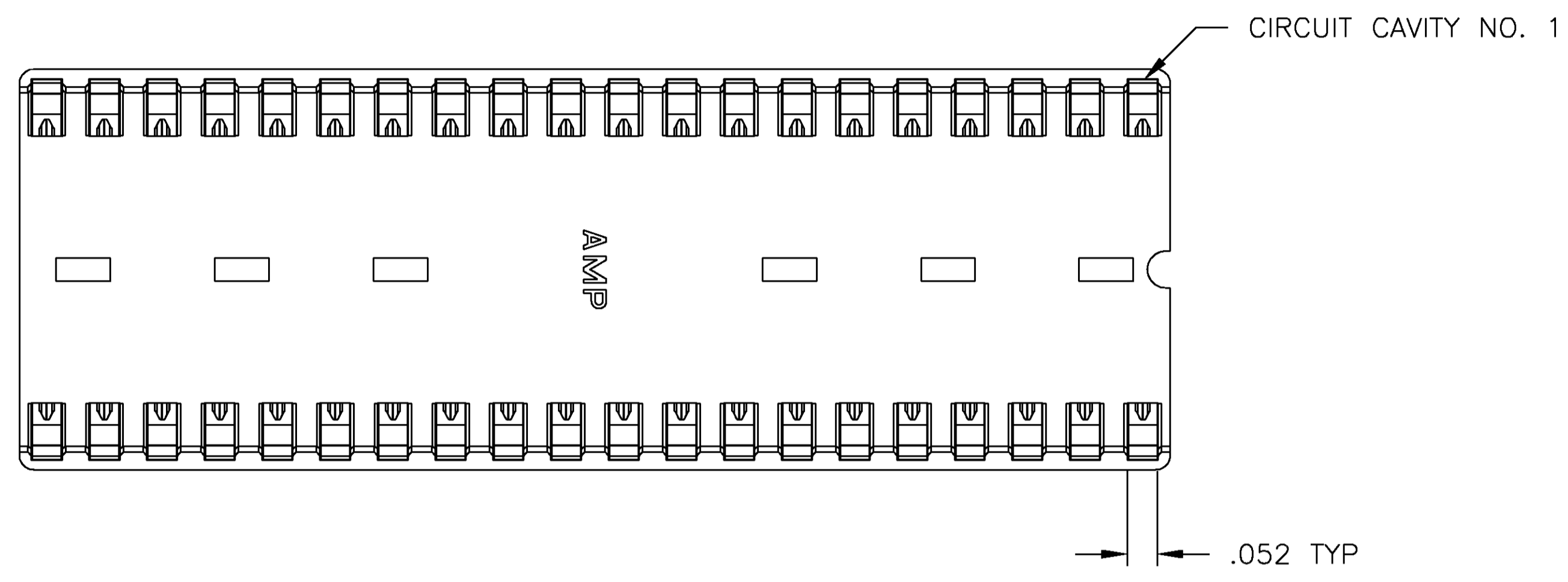
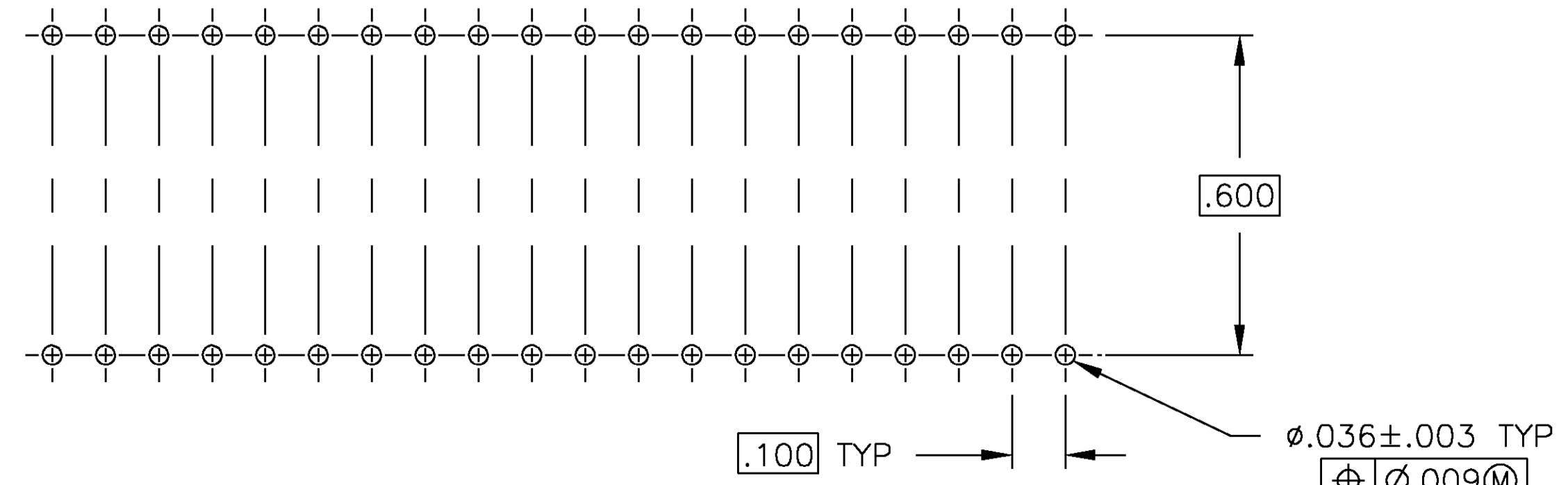
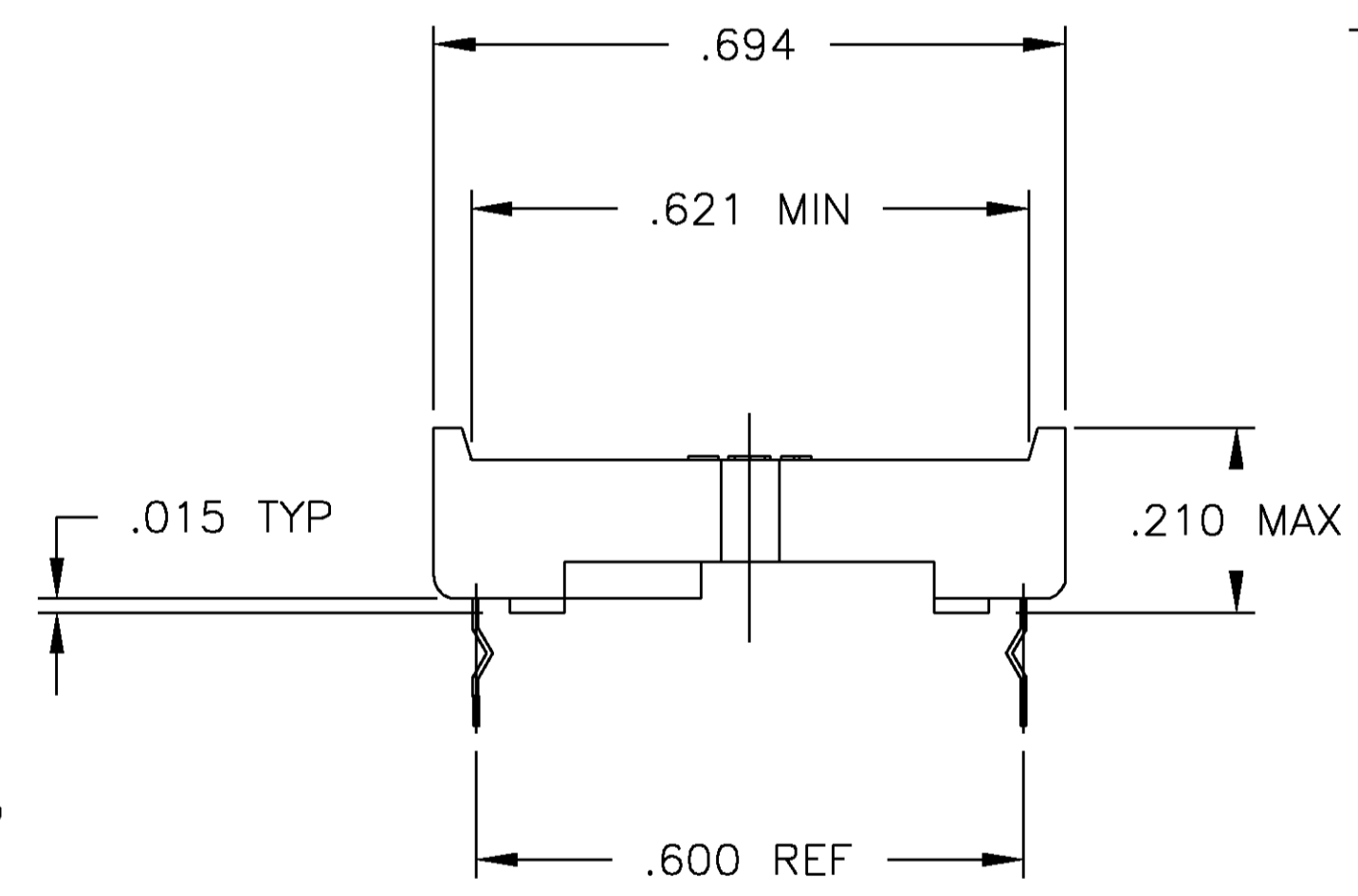
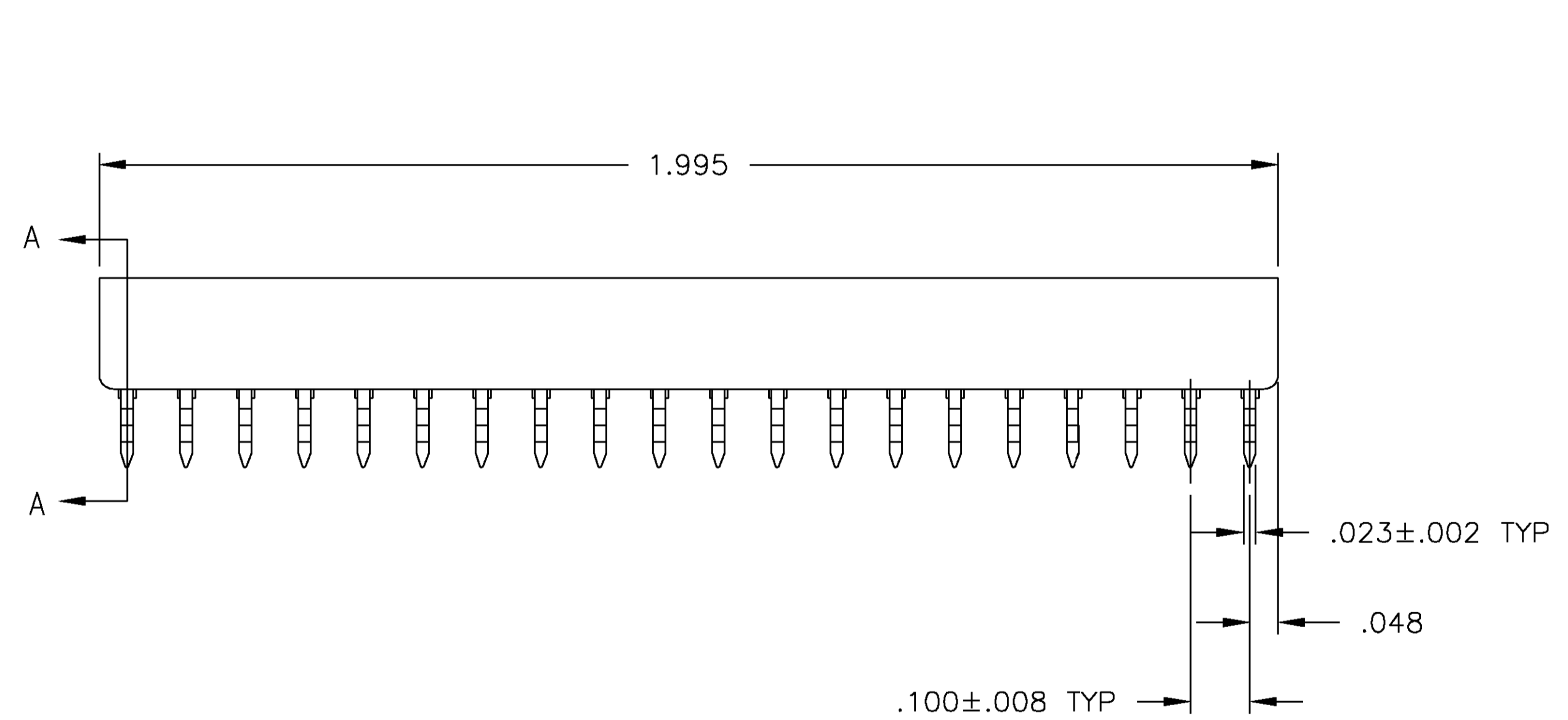


1. RECEPTACLE ACCEPTS A .008-.014 THICK I.C. LEAD.
2. TUBE LOADED.
- ③ TWO .000030 MIN THK. GOLD STRIPES IN CONTACT AREA WITH TIN-LEAD (93/7) ON CONTACT LEGS, BALANCE OF CONTACT NICKEL PLATED.
- ④ TWO .000015 MIN THK. GOLD STRIPES IN CONTACT AREA WITH TIN-LEAD (93/7) ON CONTACT LEGS, BALANCE OF CONTACT NICKEL PLATED.
- ⑤ MAXIMUM DIMENSION FOR I.C. SEATING PLANE.



SECTION A-A
SCALE 10:1



RECOMMENDED MOUNTING HOLE PATTERN
SCALE 4:1

④	PHOS.BRZ. .006 THK	GLASS-FILLED THERMOPLASTIC, 94V-O, BLACK	2-641268-4
OBSOLETE	TINNED	PHOS.BRZ. .006 THK	GLASS-FILLED THERMOPLASTIC, 94V-O, BLACK
OBSOLETE	③	BE.CU. .006 THK	GLASS-FILLED THERMOPLASTIC, 94V-O, BLACK
	TINNED	BE.CU. .006 THK	GLASS-FILLED THERMOPLASTIC, 94V-O, BLACK
	CONTACT FINISH	CONTACT MAT'L	HOUSING MATERIAL
			PART NO.

THIS DRAWING IS A CONTROLLED DOCUMENT.		DWG	R BROWN	09JAN01
		CHK	H WYNKOOP	25AUG00
		APP'D	H WYNKOOP	25AUG00
		NAME	Tyco Electronics Corporation	
		PRODUCT SPEC	Harrisburg, PA 17105	
		APPLICATION SPEC	SOCKET ASSY, DIP, RET LEG,	
		SIZE	40 POS, DIPLOMATE™ DL	
		WEIGHT	-	
		CAGE CODE	A1 00779	
		DRAWING NO	©=641268	
		RESTRICTED TO	-	
		CUSTOMER DRAWING	SCALE 5:1 SHEET 1 OF 1 REV P	