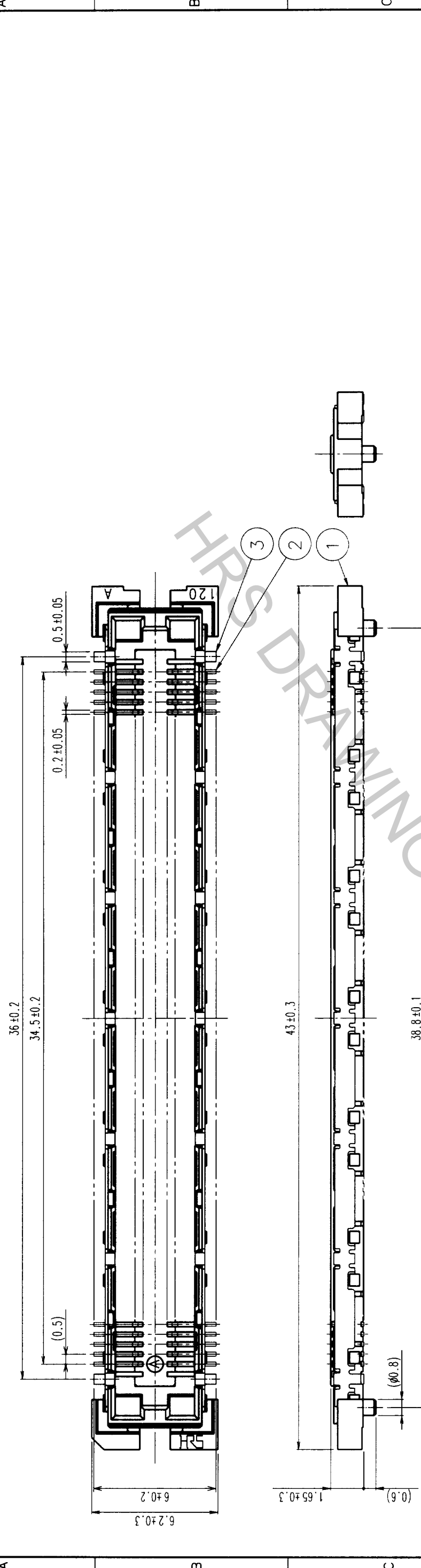


COUNT	DESCRIPTION OF REVISIONS	BY	CHKD	DATE	COUNT	DESCRIPTION OF REVISIONS	BY	CHKD	DATE
△					△				
△					△				
△					△				



RECOMMENDED LAND PATTERN DIMENSION OF PCB

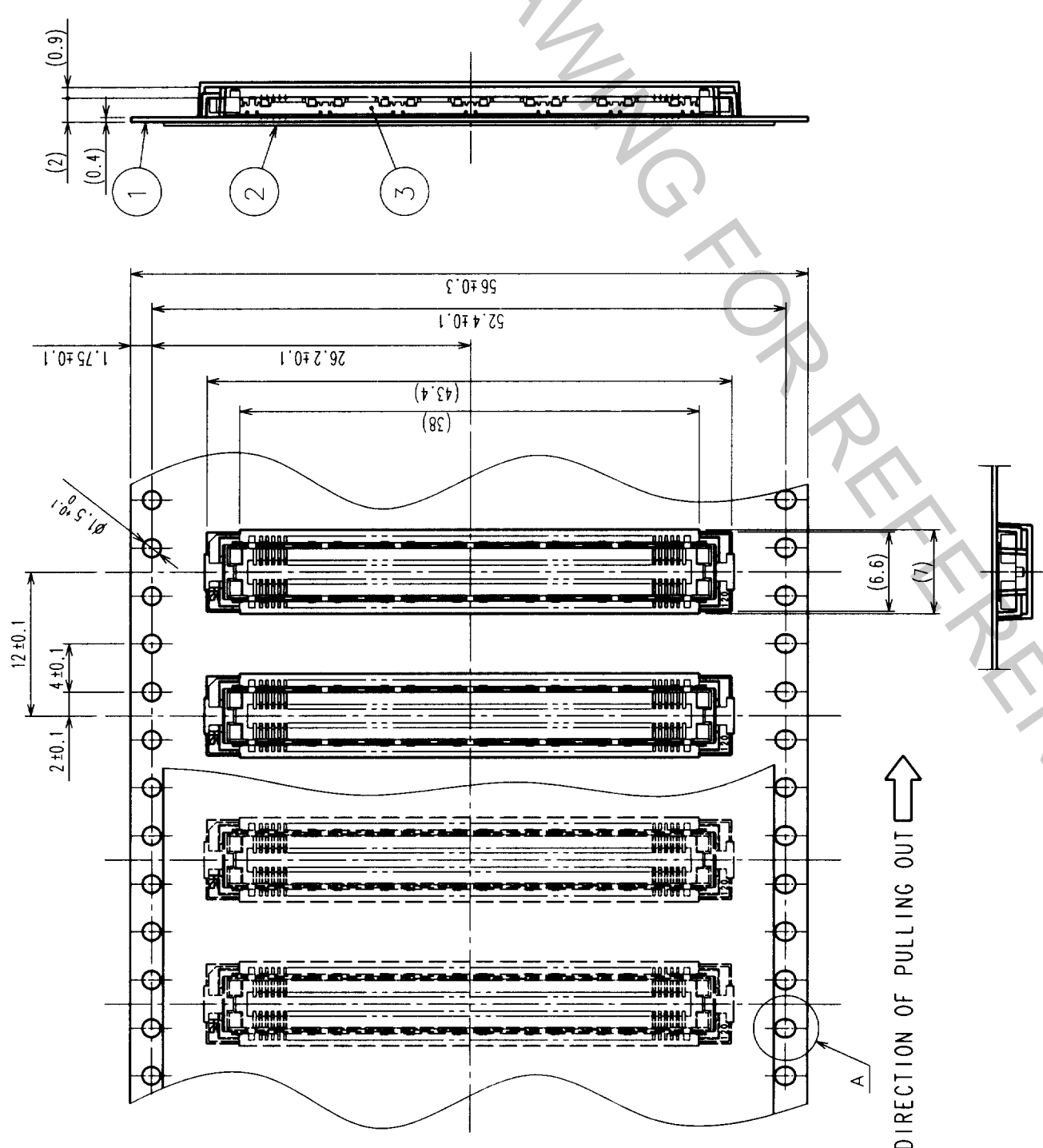
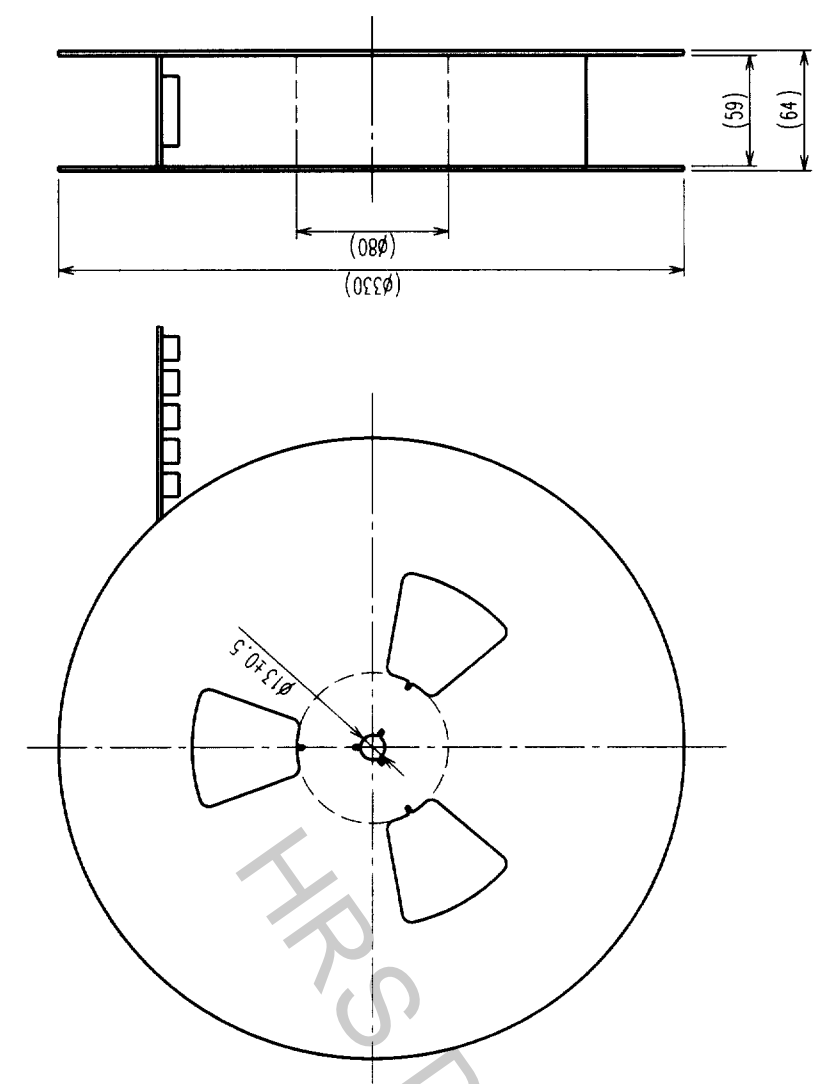
- NOTES
- SMT LEAD-COPLANARITY: 0.1 MAX.
 - THIS PRODUCT HAS NO POLARITY TO PATTERN FOR MOUNTING.
 - MAKE SURE WIDTH OF PATTERN IS WITHIN THAT OF LAND, OR LEAD MAY TOUCH PATTERN. (THIS APPLIES TO HATCHED AREA.)
 - TO BE EMBOSSED CARRIER TAPED AS SPECIFIED IN SHEET 2.

CONTACT AREA: GOLD (0.1μm) OVER NICKEL		DRAWN		DESIGNED		CHECKED		APPROVED		RELEASED	
2	PHOSPHOR BRONZE	3	PHOSPHOR BRONZE	TIN PLATED							
1	LCP		UL94V-0								
NO.	MATERIAL	FINISH, REMARKS	NO.	MATERIAL	FINISH, REMARKS	NO.	MATERIAL	FINISH, REMARKS	NO.	MATERIAL	FINISH, REMARKS
CL	(OLD)										
SCALE		5 : 1		UNITS		mm		PART NO.		FX11LA-140S-SV (21)	
DRAWING NO.		EDC3-152119-01		CODE NO.		CL573-0145-4-21		DESIGNED		M. Sakurai	
UNITS		mm		DRAWN		M. Sakurai		CHECKED		M. Sakurai	
SCALE		5 : 1		FINISH, REMARKS				APPROVED		M. Sakurai	
UNITS		mm		NO.				RELEASED		M. Sakurai	

TO	
PCK	

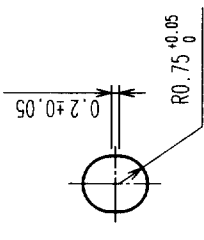
COUNT	DESCRIPTION OF REVISIONS	BY	CHKD	DATE	COUNT	DESCRIPTION OF REVISIONS	BY	CHKD	DATE
△					△				
△					△				
△					△				

REELED DIMENSION (Free)



THE DIRECTION OF PULLING OUT

A (5:1)



- NOTES 1 REEL: 1000 CONNECTORS.
- 2 MINIMUM 10 COMPARTMENTS FROM BOTH REEL ENDS REMAIN EMPTY.
- 3 THIS PRODUCT HAS NO POLARITY TO TAPE AND REEL PACKAGING.

2		TOP COVER TAPE		3		(CONNECTOR)	
1		EMBOSSED CARRIER TAPE		3			
NO.	MATERIAL	FINISH, REMARKS	NO.	MATERIAL	FINISH, REMARKS	APPROVED	RELEASED
CODE NO. (OLD)	CL		DRAWN	DESIGNED	CHECKED		
			<i>Mitsubishi</i>	<i>Mitsubishi</i>	<i>Mitsubishi</i>	<i>Mitsubishi</i>	<i>Mitsubishi</i>
			99.10.25	99.10.25	99.10.26	99.10.26	99.10.26
DRAWING FOR PACKING		DRAWING NO.		PART NO.			
SCALE		EDC3-152119-01		FX11LA-140S-SV(21)			
UNITS		mm		CODE NO.		CL573-0145-4-21	
		HRS		HIROSE ELECTRIC CO., LTD		2	

TO	
PCK	