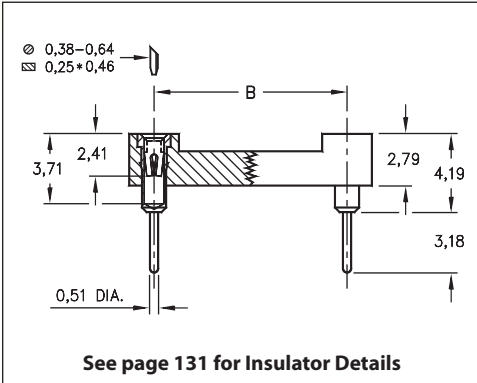
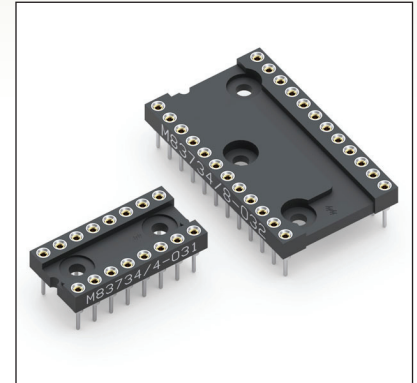


# DUAL-IN-LINE SOCKETS

**SERIES 210...101 • MIL-DTL-83734 APPROVED, SOLDER TAIL • CLOSED FRAME**



- Sockets are XY stackable
- Socket pins feature closed end construction eliminating any solder wicking problems
- Packaged in tubes compatible with automatic insertion equipment
- Hi-Rel, 4-finger BeCu #30 contact is rated at 3 amps. See page 253 for details
- Series 210 uses MM #1001 pins. See page 165 for details
- Insulators are high temperature thermoplastic, suitable for all soldering operations
- For Electrical, Mechanical and Environmental Data, see page 264 for details



Total number of pins				Quantity per tube	ORDERING INFORMATION	
	A	B	C		Mill-Max Part Number	Military Part Number
6	7,6	7,62	10,1	67	210-XX-306-41-101000	M83734/1-YYY
8	10,1	7,62	10,1	50	210-XX-308-41-101000	M83734/2-YYY
14	17,7	7,62	10,1	28	210-XX-314-41-101000	M83734/3-YYY
16	20,3	7,62	10,1	25	210-XX-316-41-101000	M83734/4-YYY
18	22,8	7,62	10,1	22	210-XX-318-41-101000	M83734/5-YYY
20	25,3	7,62	10,1	20	210-XX-320-41-101000	M83734/13-YYY
22	27,8	10,16	12,7	18	210-XX-422-41-101000	M83734/6-YYY
24	30,4	15,24	17,7	16	210-XX-624-41-101000	M83734/8-YYY
28	35,5	15,24	17,7	14	210-XX-628-41-101000	M83734/7-YYY
32	40,6	15,24	17,7	10	210-XX-632-41-101000	M83734/17-YYY
36	45,7	15,24	17,7	11	210-XX-636-41-101000	M83734/9-YYY
40	50,8	15,24	17,7	8	210-XX-640-41-101000	M83734/10-YYY
64	81,2	22,86	25,3	6	210-XX-964-41-101000	M83734/15-YYY

XX=Plating Code  
See Below

SEE PAGE 103 FOR COMPLETE MIL-DTL-83734 QPL			
SPECIFY MILL-MAX PLATING CODE XX =	33	83	88
FOR MILITARY PLATING CODE YYY =	031	032	033
(6 PIN ONLY) YYY =	025	026	027
(32 PIN ONLY) YYY =	013	014	015
Sleeve (Pin)	0,76µm min. Au	7,62µm Sn/Pb	7,62µm Sn/Pb
Contact (Clip)	0,76µm min. Au	0,76µm min. Au	2,54µm Sn/Pb

