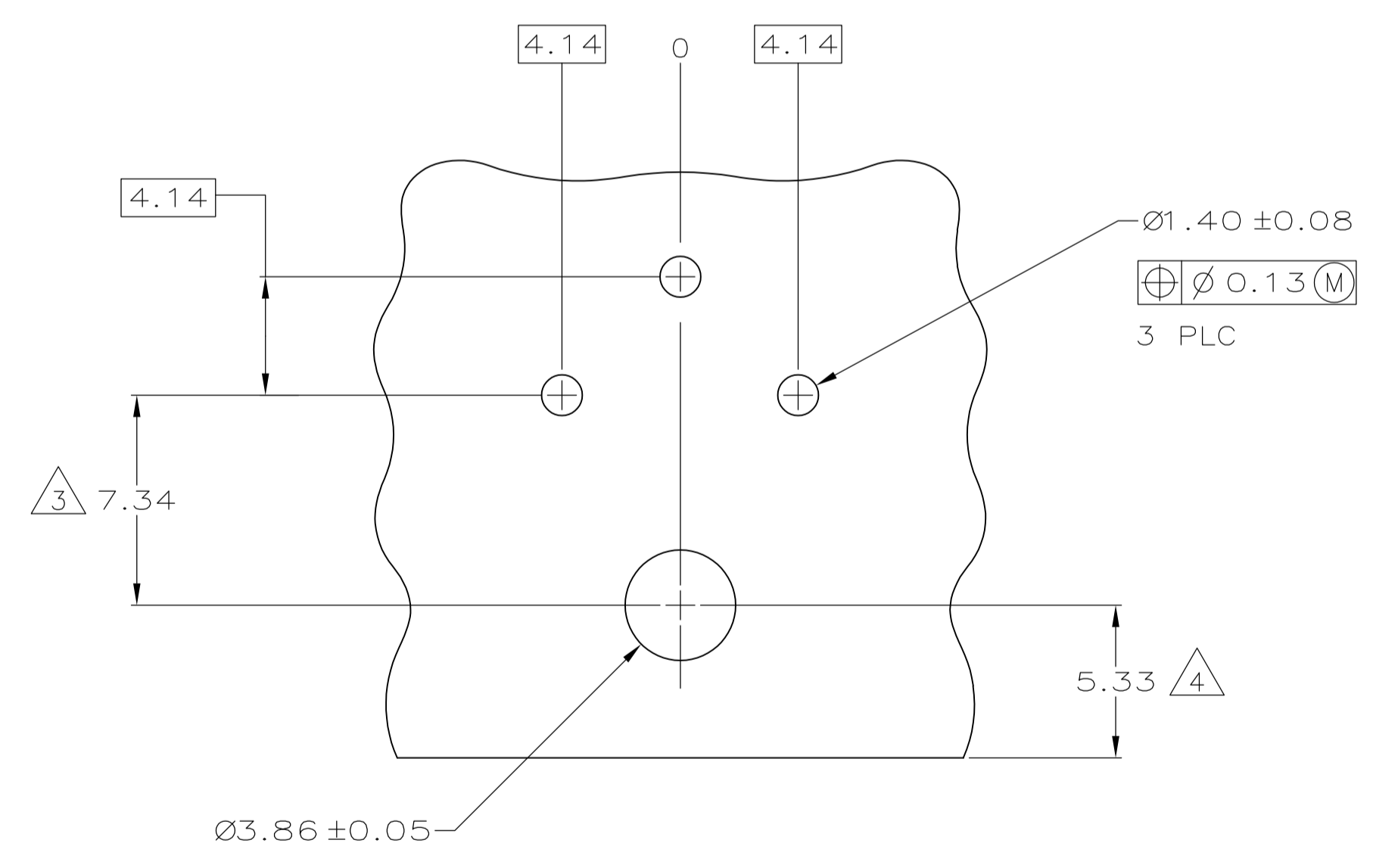
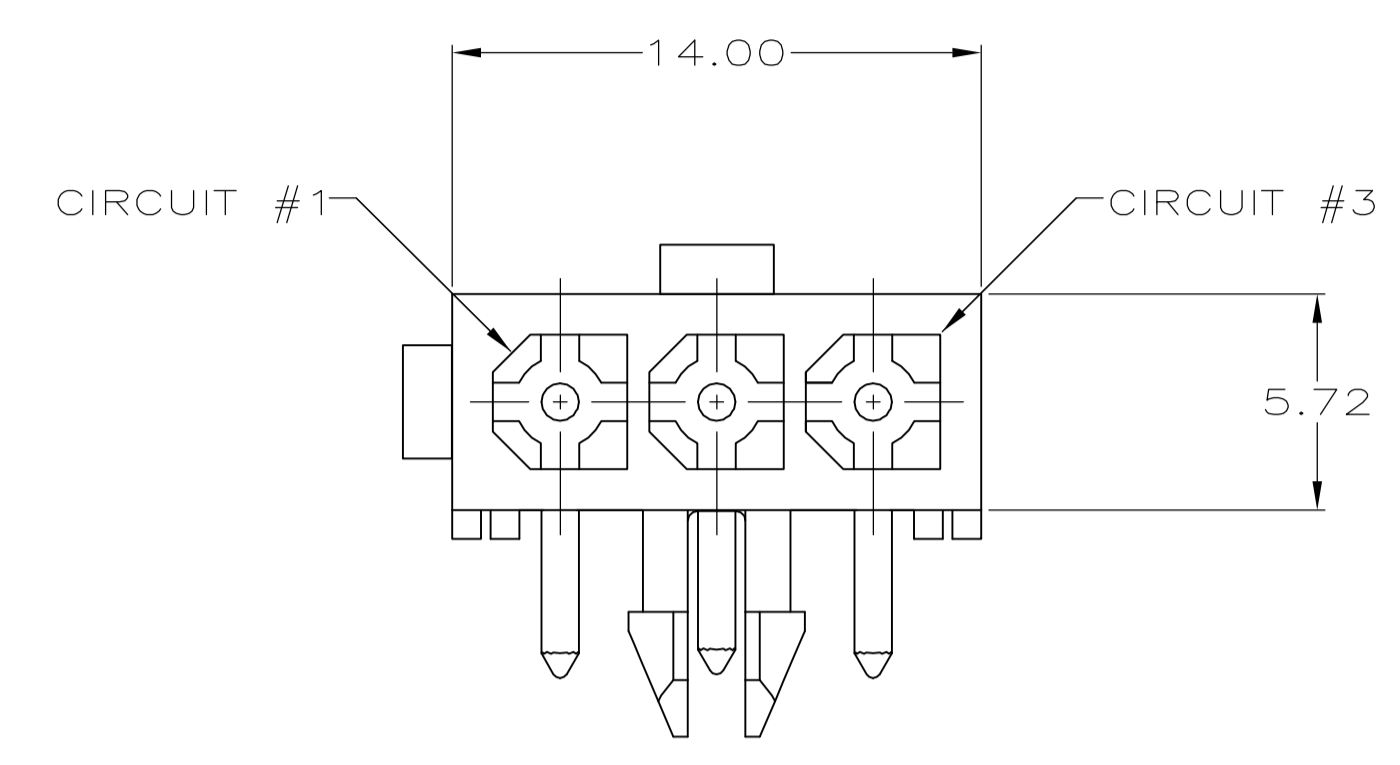
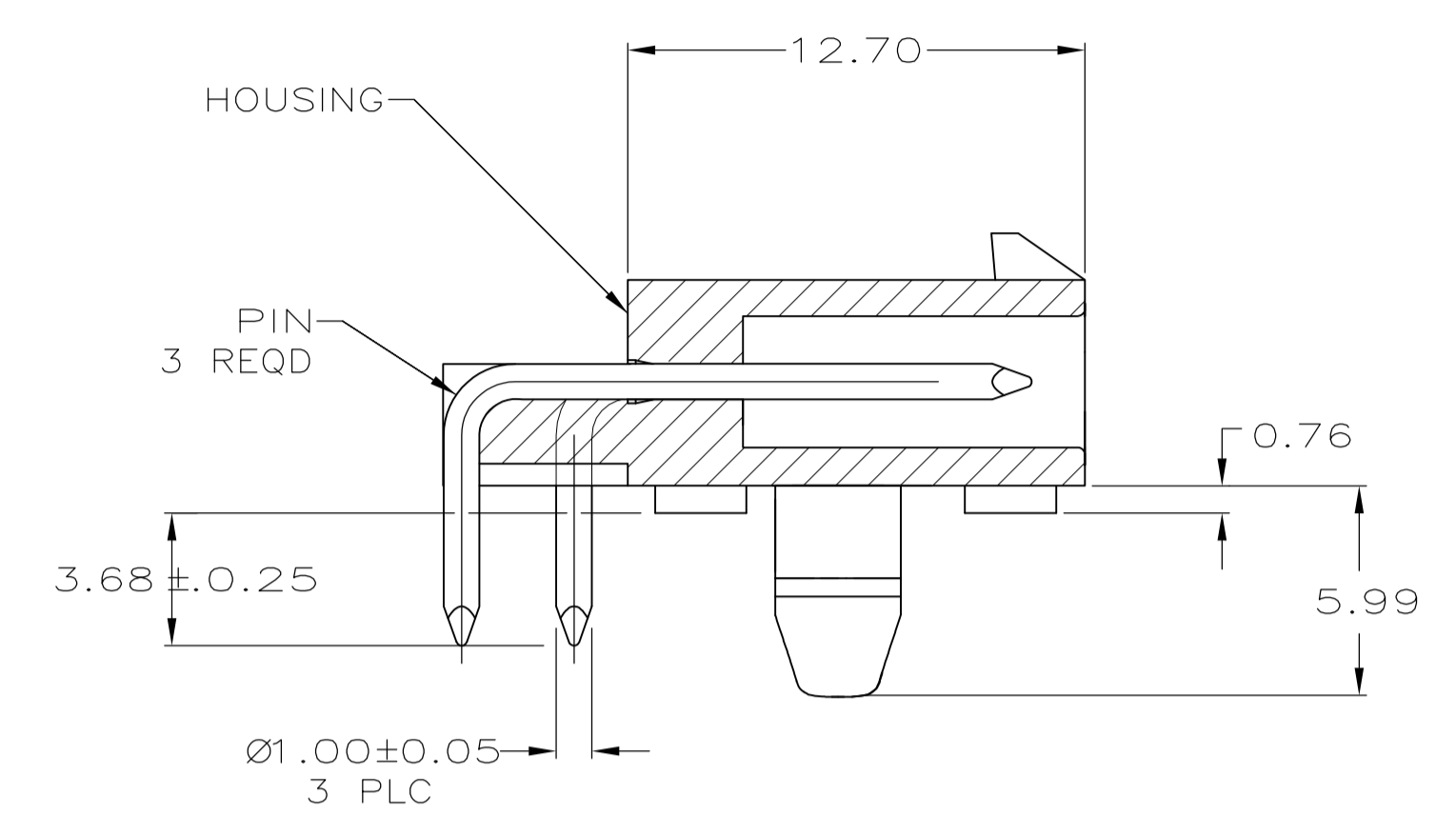


LOC		DIST		REVISIONS			
P	LTR	DESCRIPTION	DATE	DWN	APVD		
B		REVISED PER ECR-15-010337	23JUL2015	RK	SC		



RECOMMENDED MOUNTING HOLE PATTERN FOR 1.57 THICK P.C. BOARD

- 1 PINS TO COMPLY WITH AMP SOLDERABILITY SPEC 109-11-3.
- 2 MATES WITH PLUG P/N 172166-1.
- 3 COORDINATE DIMENSION APPLIES FROM CENTER OF ACTUAL FEATURE.
- 4 RECOMMENDED FOR EDGE MOUNTING.
- 5 MATTE TIN LEAD OVER NICKEL ENTIRE LENGTH OF PIN.
- 6 MATTE TIN OVER NICKEL ENTIRE LENGTH OF PIN.

MM	IN	MM	IN
3.68	.145	-	-
1.57	.062	-	-
1.40	.055	-	-
1.00	.039	14.00	.551
0.76	.030	12.70	.500
0.25	.010	7.34	.289
0.13	.005	5.99	.236
0.08	.003	5.72	.225
0.05	.002	5.33	.210
0.0038	0.000150	4.14	.163
0.00127	0.000050	3.86	.152

CONVERSION TABLE

BRASS	6	NYLON, UL94V-0	WHITE	1-794006-0
BRASS	5	NYLON, UL94V-0	WHITE	794006-1
MATERIAL	FINISH	MATERIAL	COLOR	PART NO

THIS DRAWING IS A CONTROLLED DOCUMENT.

DIN	K. SALMON	2-12-93
CHK	R. SWING	2-12-93
APVD	J. ANDREW	2-15-93

STE TE Connectivity

NAME: HEADER ASSEMBLY, RIGHT ANGLE, WITH SHORT PEG, 3 CIRCUIT, NO. 2 CIRCUIT EXTENDED, MINI UNIVERSAL MATE-N-LOK™

SIZE: A1 | CAGE CODE: 00779 | DRAWING NO: 794006 | RESTRICTED TO: -

MATERIAL: SEE TABLE | FINISH: SEE TABLE | WEIGHT: - | SCALE: 5:1 | SHEET: 1 OF 1 | REV: B