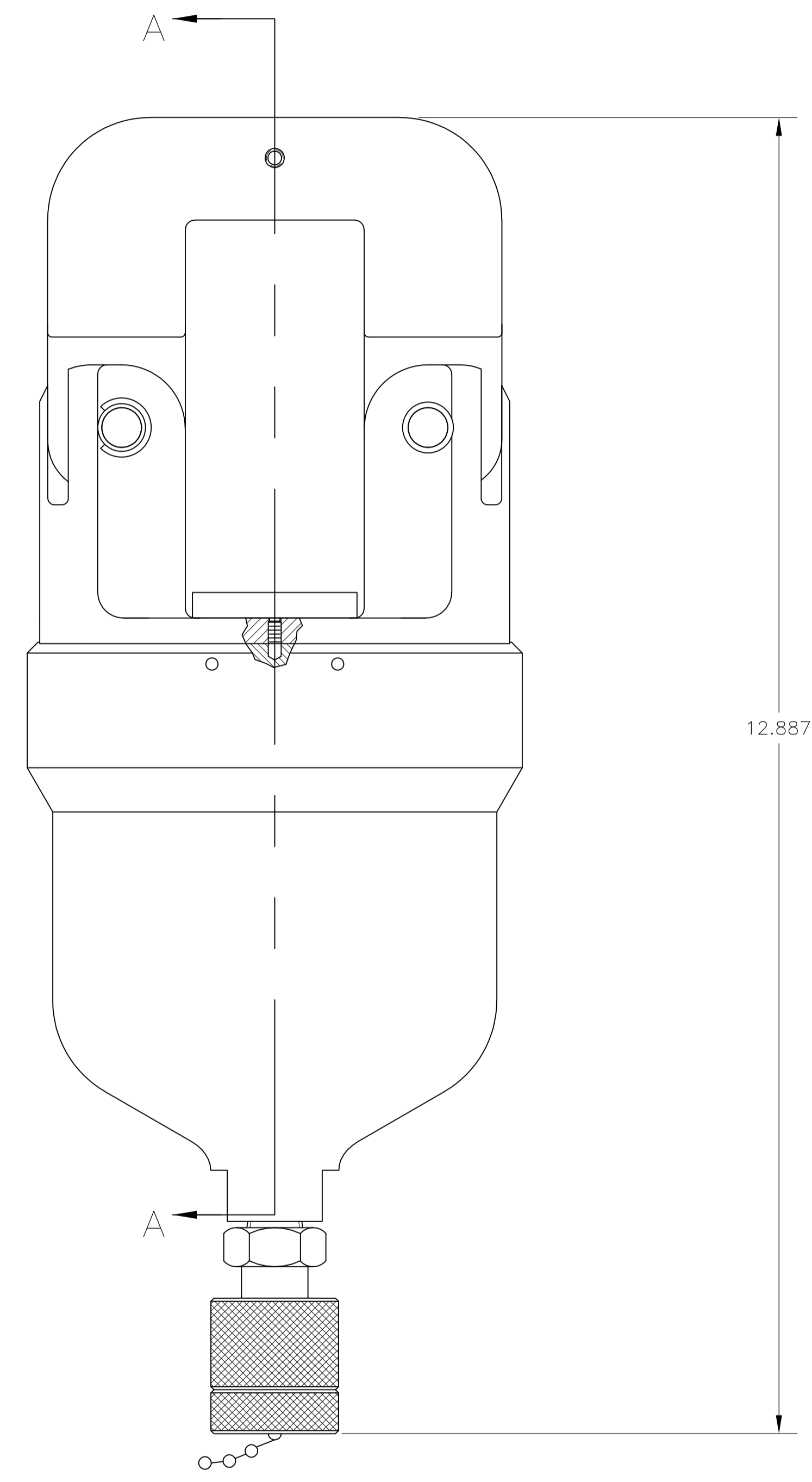


SECTION A-A



THIS DRAWING IS A CONTROLLED DOCUMENT.		DWN M. YOUNGER 09JUN2008	Tyco Electronics Corporation Harrisburg, PA 17105-3608	
DIMENSIONS: INCHES		CHK M. HOUSER 09JUN2008	NAME HEAD ASSEMBLY	
TOLERANCES UNLESS OTHERWISE SPECIFIED:		APVD M. HOUSER 09JUN2008	RESTRICTED TO	
0 PL/C	± -	PRODUCT SPEC	SIZE	CAGE CODE
1 PL/C	± -	APPLICATION SPEC	A1	00779
2 PL/C	± .02	WEIGHT	58422	SCALE
3 PL/C	± -	CUSTOMER DRAWING	1:1	SHEET
4 PL/C	± -		1	OF
ANGLES	± -		1	1
	± -			REV
	± -			A