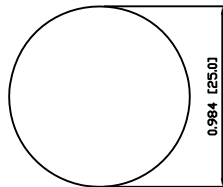
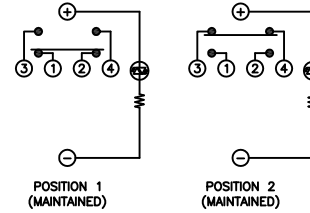


SUGGESTED PANEL CUTOUT



MAXIMUM PANEL THICKNESS: 0.551 [14.0mm]

SCHEMATIC

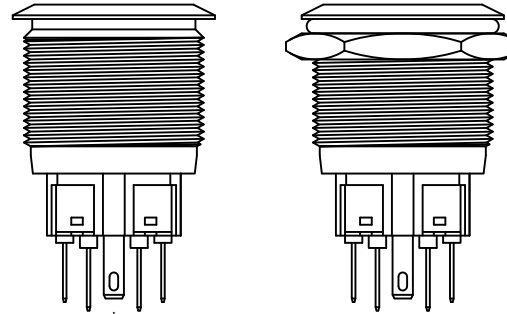


SPECIFICATIONS

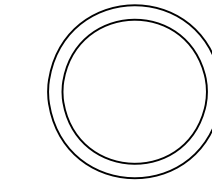
- FUNCTION: 1PNO OFF-ON + 1PNC ON-OFF
- RATING: 2A 48VDC
- ILLUMINATION VOLTAGE: 12V 20mA
- CONTACT RESISTANCE: Initial: 50mΩ Max. at 1A 12VDC
- INSULATION RESISTANCE: 1,000MΩ Min. at 500VDC
- DIELECTRIC STRENGTH: 2,000VAC Min. for 1 Minute
- ELECTRICAL LIFE: 50,000 Cycles
- MECHANICAL LIFE: 1,000,000 Cycles
- TEMPERATURE: Operating: -20°C to 70°C
- INGRESS PROTECTION: IP65
- APPROVALS: **RoHS** COMPLIANT

MATERIALS

- BUSHING: Stainless Steel (304)
- BASE: Polyamide 6/6 (PA66)
- ACTUATOR: Stainless Steel (304) Polycarbonate (PC)
- HARDWARE: Nickel Plated Brass (H59)
- SEALING: Silicone Rubber
- INNER ASSEMBLY: Polyamide 6/6 (PA66) Polycarbonate (PC) Poloxymethylene (POM) Brass (H59) Stainless Steel Beryllium Copper
- SPRING: Stainless Steel
- CONTACTS: Silver/Cadmium Oxide (AgCdO)
- TERMINALS: Brass
- O-RING: Silicone Rubber
- COLORS AND FINISH: BEZEL: Stainless Steel Machine Finish ACTUATOR: Stainless Steel Machine Finish
- ILLUMINATION: Blue (Forward) Blue (Reverse)
- MARKING: None



EXPLODED VIEW



ASSEMBLED VIEW

BODY	C	11/05/16	CAB
COLORS	A	09/07/06	CAB
MATERIALS	A	09/07/06	CAB
SPECIFICATIONS	A	09/07/06	CAB
REFERENCE	REV.	DATE	BY

THE INFORMATION CONTAINED IN THIS DOCUMENT IS PROPRIETARY TO E-SWITCH AND IS NOT TO BE COPIED OR TRANSFERRED

C	CORRECTED BODY LENGTH	19947	11/05/16	CAB
B	CORRECTED MAXIMUM PANEL DEPTH	19028	10/04/26	CAB
A	INITIAL RELEASE	18884	10/03/26	CAB
REV.	DESCRIPTION	PCR	DATE	DRAWN BY

DIMENSIONS	
INCHES [MILLIMETERS]	
GENERAL TOLERANCES	
±0.008 [±0.2] / ±1'	
SCALE	PROJECTION
DRAWING NOT TO SCALE	1st Angle

<p>PV8F2T0SS-344</p>			
ITEM NUMBER	DATE	REVISION	
52-PV8F2T0SS344	MAY 16, 2011	C	