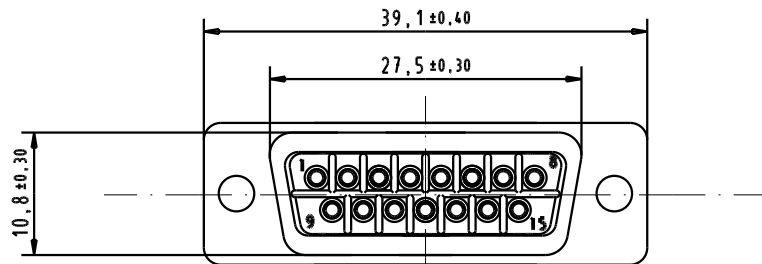
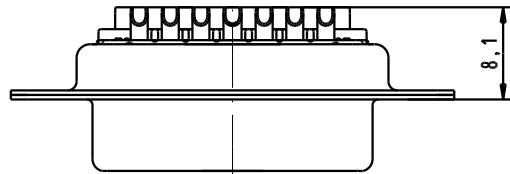
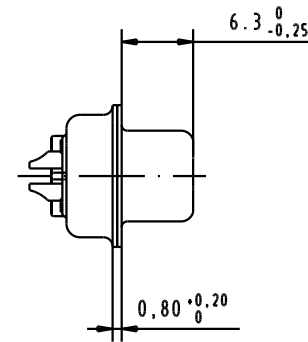
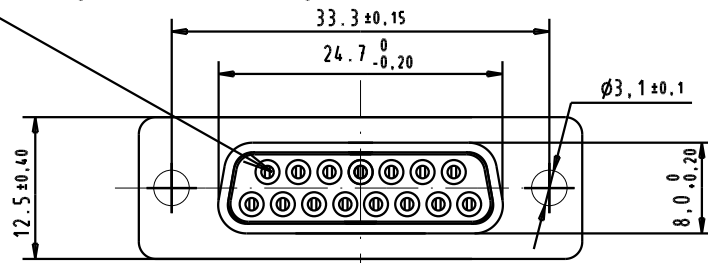


Mating face according to : MIL-C-24308 / DIN 41652 / CECC 75.01-802





1) Protection standard IP 67 according to IEC 529 / DIN 40050.

2) Cable: AWG 20 max

A

09 67 415 4715	Au plating 0,76 µm mini
Part Number	Performance Level

			Dat.	Name		
			Detail.	15/02/04		S.H.
			Insp.			
			Stand.			
31587	15/02/04	S.H.	HARTING ELEKTRONIK			
Mod.	Dat.	Name	F-95972 Paris			
						

						D-SUB IP67 female 15 Poles straight solder cup	Moßstab/ Scale
						TB 09 67 415 4715	Blatt/ Page
						Sub.	