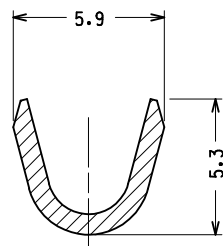
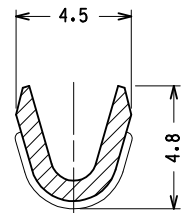


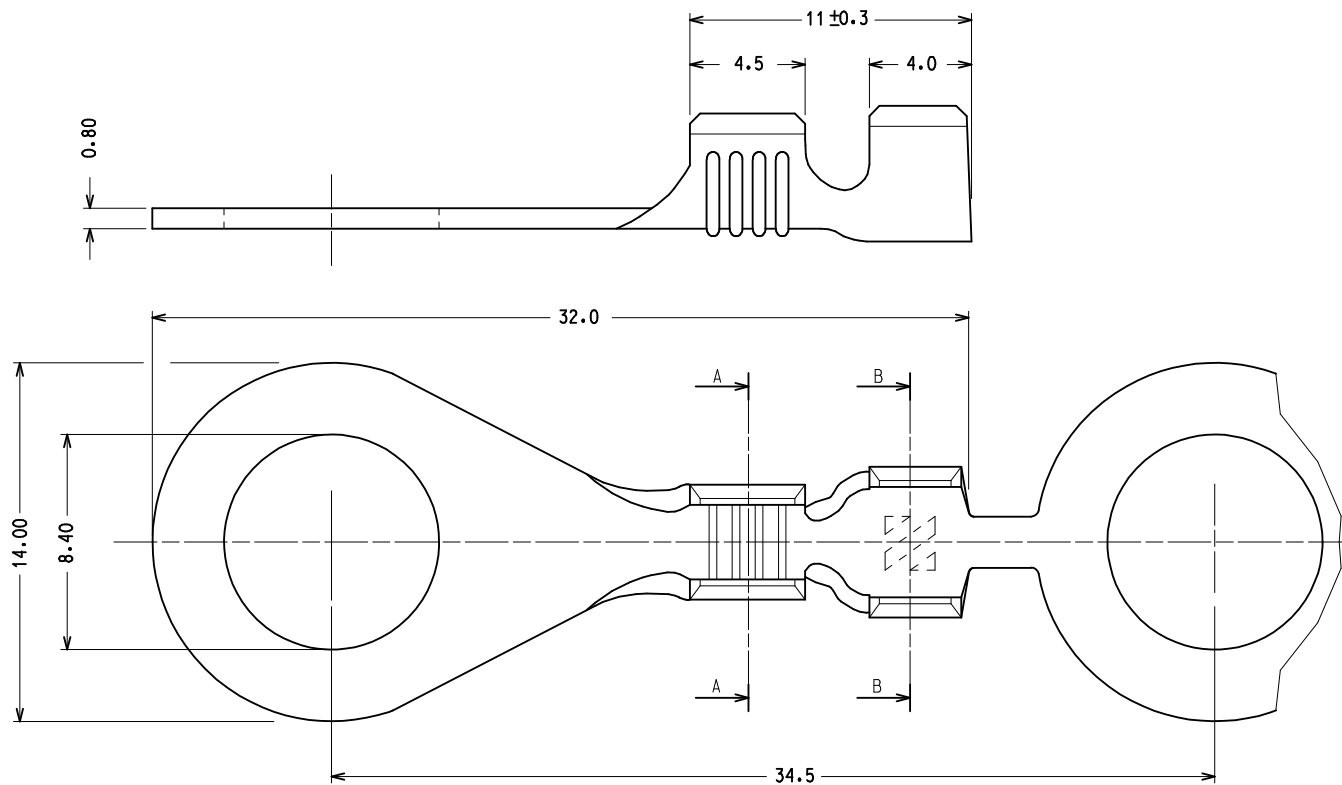
10 9 8 7 6 5 4 3 2 1



SECTION B - B



SECTION A - A



MATERIALE: OTTONE FINITURA: STAGNATO
 MATERIAL: BRASS PLATING: TIN

S.P.Q. = 6000 pz. Std. Descr.: RING TONGUE TERM BRS TIN 8.4 D 2-2.5

EC NO: Z2016-0113 DRWN:LSANTESS 2016/06/09 CHKD:LSANTESS 2016/06/09 APPR:PZANGIROLAMI 2016/06/09	QUALITY SYMBOLS	GENERAL TOLERANCES (UNLESS SPECIFIED)		DIMENSION STYLE MM ONLY		SCALE 5:1	DESIGN UNITS METRIC	FIRST ANGLE PROJECTION	
	▼=0 C=0	4 PLACES ± --- ± --- 3 PLACES ± --- ± --- 2 PLACES ± 0.1 ± --- 1 PLACE ± 0.2 ± ---	mm INCH ± --- ± --- ± 0.1 ± --- ± 0.2 ± ---	DRAWN BY FGOTTARD CHECKED BY DATE 1990/02/27	DATE 1990/02/27	TITLE RING TONGUE TERMINAL WIRE RANGE: 1.0-2.5 MMQ			
	ANGULAR ± 2 °	DRAFT WHERE APPLICABLE MUST REMAIN WITHIN DIMENSIONS		APPROVED BY MPREVIAT MATERIAL NO. 94030-6980	DATE 1990/02/27	MOLEX INCORPORATED DOCUMENT NO. SD-94030-060			
	REV A1			SIZE A3	THIS DRAWING CONTAINS INFORMATION THAT IS PROPRIETARY TO MOLEX INCORPORATED AND SHOULD NOT BE USED WITHOUT WRITTEN PERMISSION				

9 8 7 6 5 4 3 2 1