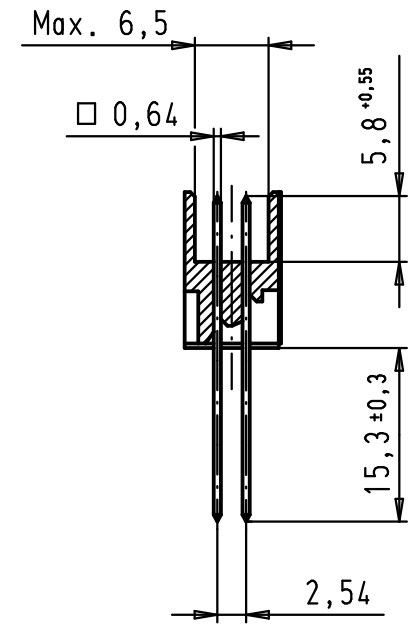
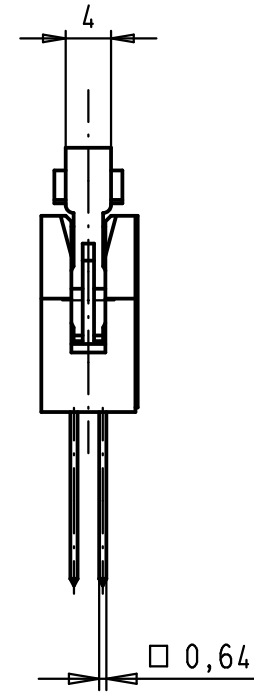
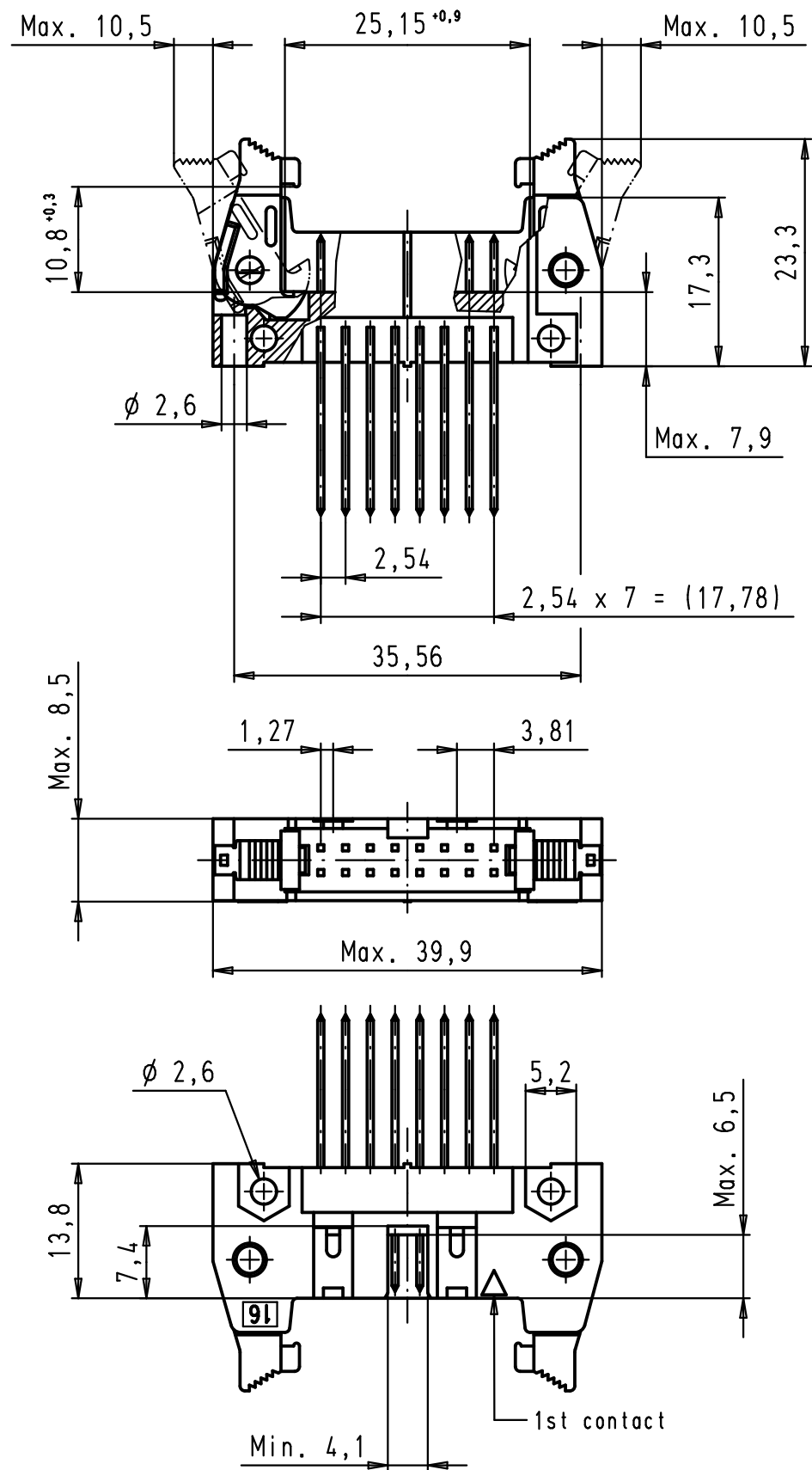
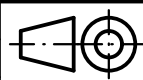



Alle Rechte vorbehalten. All rights reserved



09 18 516 7917	3
09 18 516 6917	2
09 18 516 5917	0,76 μ m Au
Part number	Performance level

				Det.	Name	 All Dim. in mm Orig. Size DIN A 3	SEK 18 Male Connector Standard 16 poles Straight wrap posts Short locking levers	Maßstab/ Scale 1,5:1	
				Detail.	19/09/02				CV
				Insp.					
				Stand.					
34883	12/02/08	SH	HARTING EURL			TB 09 18 516 X917	Blatt/ Page 1 / 1		
31092	19/09/02	CV	F-95972 Paris						
Mod.	Det.	Name				Sub.			