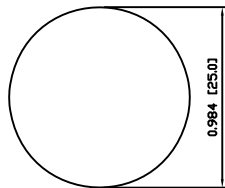
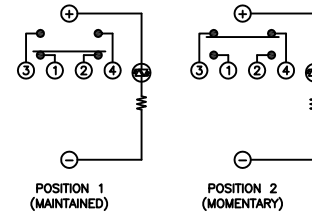


SUGGESTED PANEL CUTOUT



MAXIMUM PANEL THICKNESS: 0.394 [10.0mm]

SCHMATIC



SPECIFICATIONS

**FUNCTION:**  
1PNO OFF-(ON) + 1PNC ON-(OFF)

**RATING:**  
2A 48VDC

**ILLUMINATION VOLTAGE:**  
24V 20mA

**CONTACT RESISTANCE:**  
Initial: 50mΩ Max. at 1A 12VDC

**INSULATION RESISTANCE:**  
1,000MΩ Min. at 500VDC

**DIELECTRIC STRENGTH:**  
2,000VAC Min. for 1 Minute

**ELECTRICAL LIFE:**  
50,000 Cycles

**MECHANICAL LIFE:**  
1,000,000 Cycles

**TEMPERATURE:**  
Operating: -20°C to 70°C

**INGRESS PROTECTION:**  
IP65

**APPROVALS:**  
**RoHS**  
COMPLIANT

MATERIALS

**BUSHING:**  
Stainless Steel (304)

**BASE:**  
Polyamide 6/6 (PA66)

**ACTUATOR:**  
Stainless Steel (304)  
Polycarbonate (PC)

**HARDWARE:**  
Nickel Plated Brass (H59)

**SEALING:**  
Silicone Rubber

**INNER ASSEMBLY:**  
Polyamide 6/6 (PA66)  
Polycarbonate (PC)  
Polycarbonate (PC)  
Polycarbonate (PC)  
Brass (H59)  
Stainless Steel  
Beryllium Copper

**SPRING:**  
Stainless Steel

**CONTACTS:**  
Silver/Cadmium Oxide (AgCdO)

**TERMINALS:**  
Brass

**O-RING:**  
Silicone Rubber

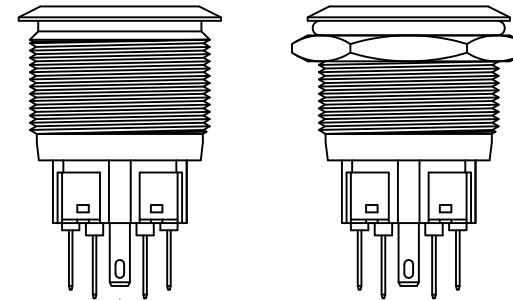
**COLORS AND FINISH**

**BEZEL:**  
Stainless Steel  
Machine Finish

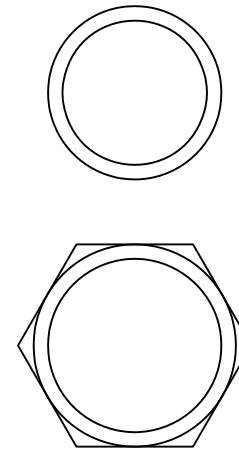
**ACTUATOR:**  
Stainless Steel  
Machine Finish

**ILLUMINATION:**  
Orange (Forward)  
Orange (Reverse)

**MARKING:**  
None



EXPLODED VIEW



ASSEMBLED VIEW

BODY	A	09/07/06	CAB
COLORS	A	10/01/13	CAB
MATERIALS	A	09/07/06	CAB
SPECIFICATIONS	A	09/07/06	CAB
REFERENCE	REV.	DATE	BY

THE INFORMATION CONTAINED IN THIS DOCUMENT IS PROPRIETARY TO E-SWITCH AND IS NOT TO BE COPIED OR TRANSFERRED

A	INITIAL RELEASE	18770	10/01/13	CAB
REV.	DESCRIPTION	PCR	DATE	DRAWN BY

DIMENSIONS	
INCHES	[MILLIMETERS]
GENERAL TOLERANCES	
±0.008 [±0.2] / ±1'	
SCALE	PROJECTION
DRAWING NOT TO SCALE	1:1

PV8F2Y0SS-225	
SCALE	DRAWING NUMBER
DRAWING NOT TO SCALE	52-PV8F2Y0SS225
DATE	REVISION
JANUARY 13, 2010	A