

## DETAILS

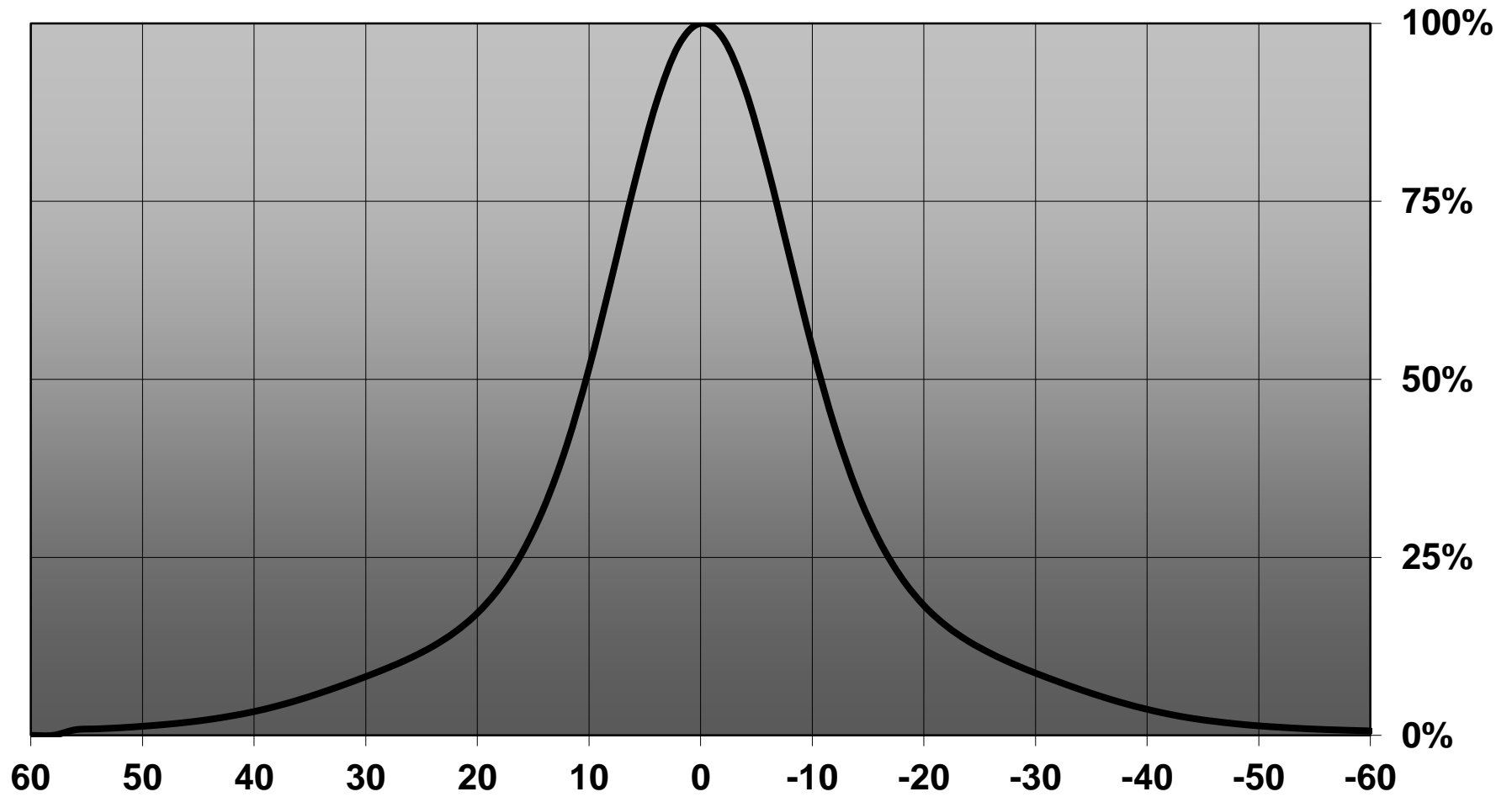
<b>Product Number</b>	CN13902_MIRELLA-50-S-PIN-RZL
<b>Family</b>	Mirella
<b>Type</b>	RefPack
<b>Color</b>	metal
<b>Diameter</b>	49,9 mm
<b>Height</b>	24 mm
<b>Style</b>	round
<b>Optic Material</b>	PC
<b>Holder Material</b>	
<b>Fastening</b>	socket, screw
<b>Status</b>	production ready
<b>ROHS Compliant</b>	Yes
<b>Date Updated</b>	22/04/2014



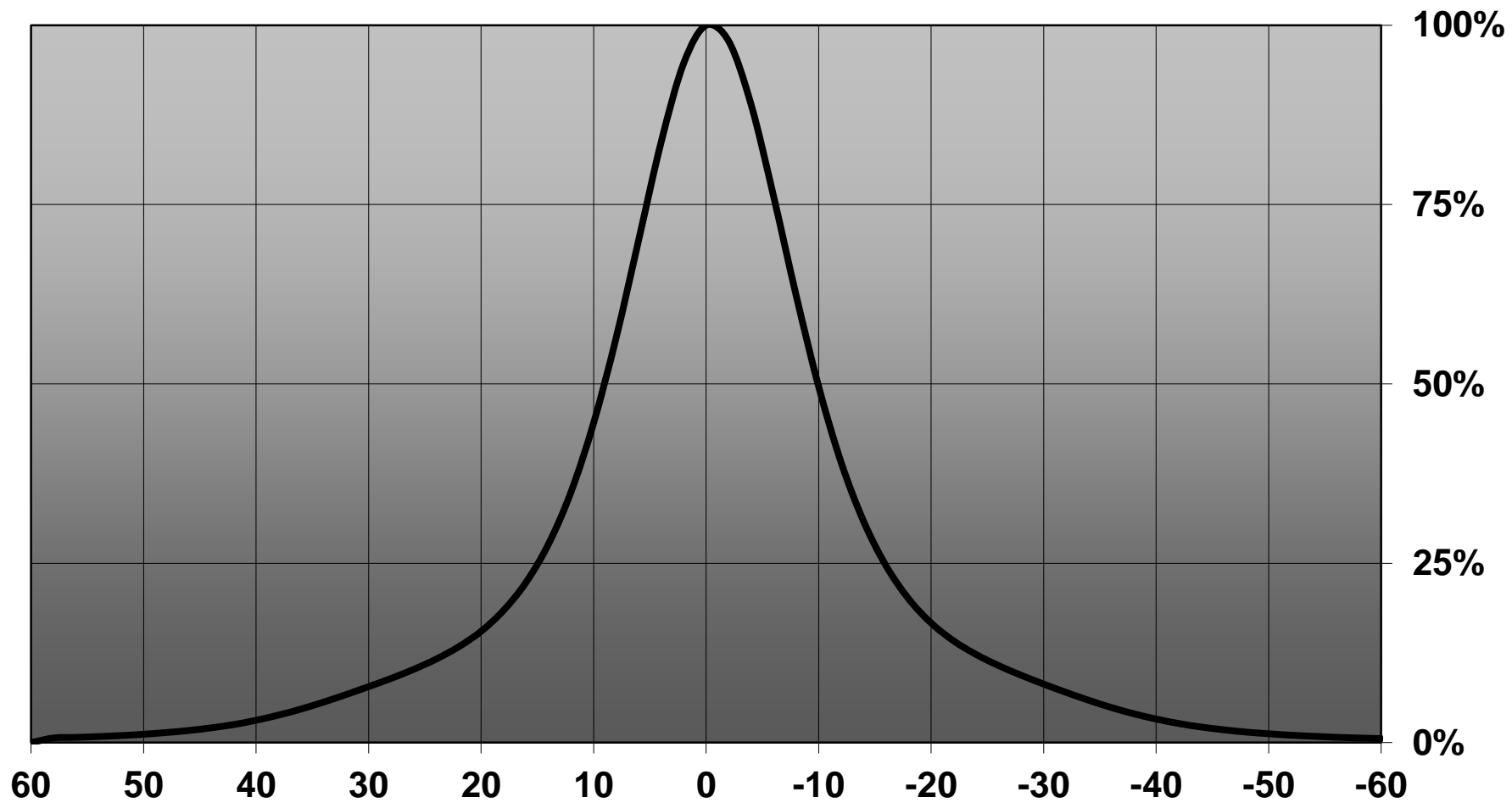
## OPTICAL PROPERTIES

LED	Viewing Angle	Light Beam	Efficiency	cd/lm	Connector
XM-L RGB	21 deg	Spot	84 %	3.350	-
XHP50	22 deg	Spot	86 %	2.800	-
LUXEON Z RGB	18 deg	Spot	82 %	3.400	-
LUXEON C RGBW	22 deg	Spot	81 %	3.130	-
Ostar-SMT RGB	19 deg	Spot	85 %	3.710	-
F50360 (RGB)	19 deg	Spot	86 %	3.750	-
F50360 (RGB)	21 deg	Spot	84 %	3.300	-

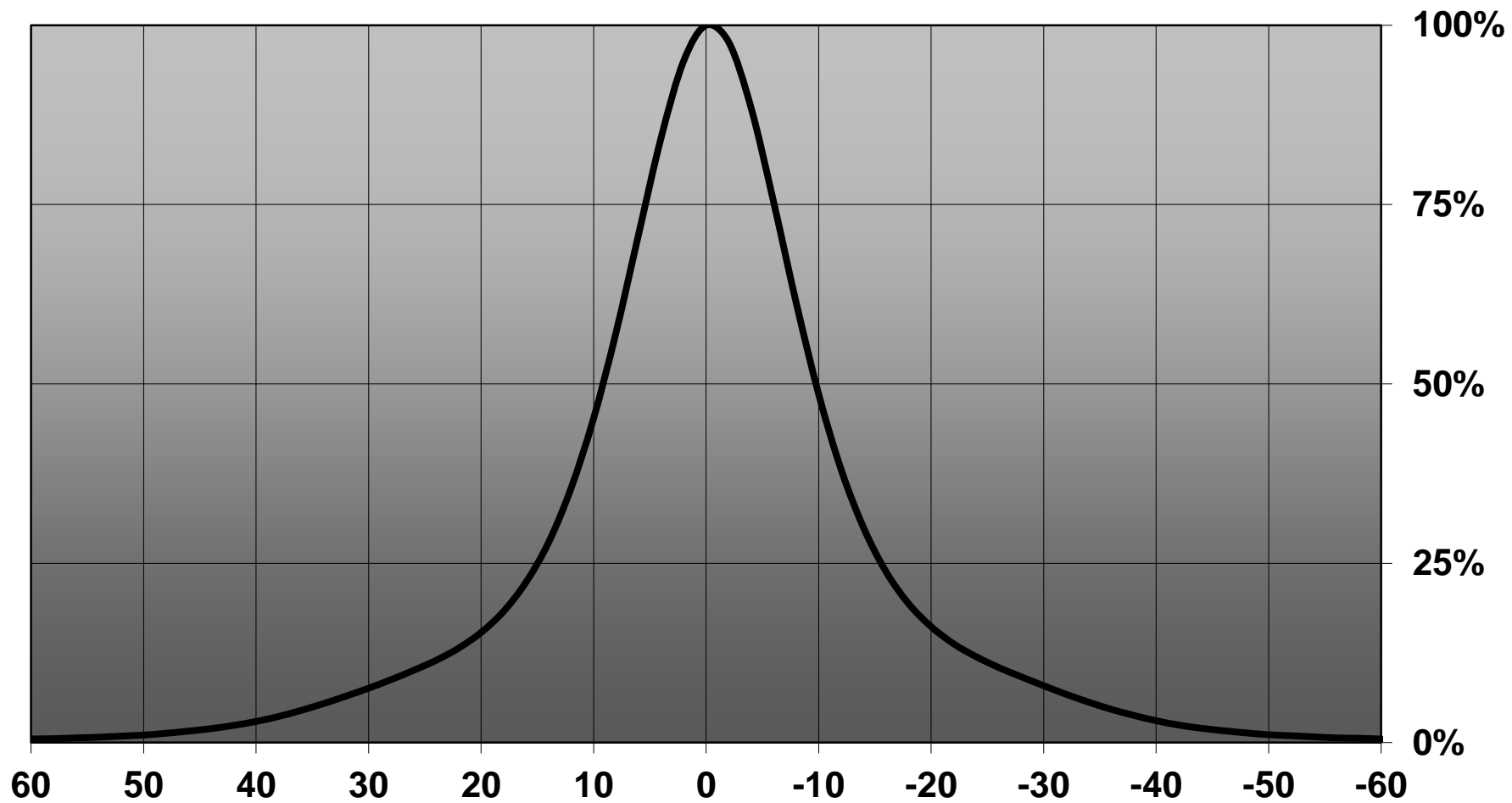
Relative intensity of CN13902\_MIRELLA-50-S-PIN-RZL\_(XM-L RGB)



Relative intensity of CN13902\_MIRELLA-50-S-PIN-RZL\_(SMT RGB)



Relative intensity of CN13902\_MIRELLA-50-S-PIN-RZL\_(F50360 RGB)



D

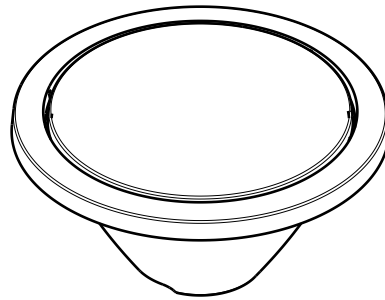
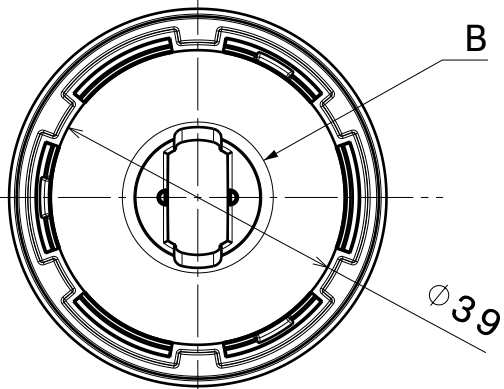
C

B

A

4

4

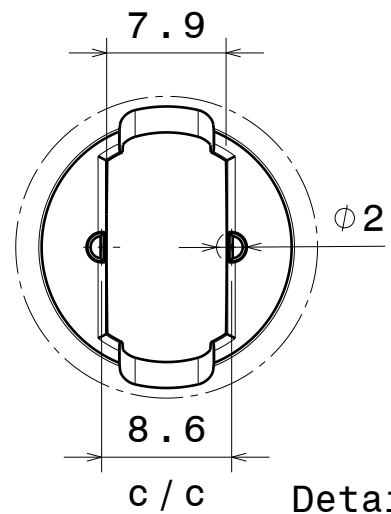
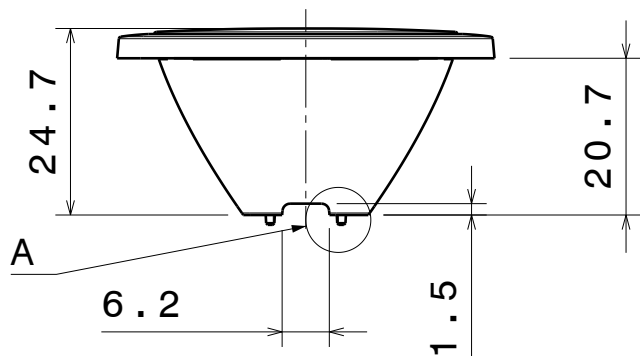


Bottom view

Isometric view

3

3

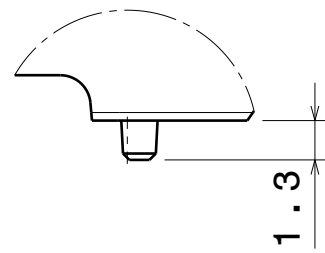
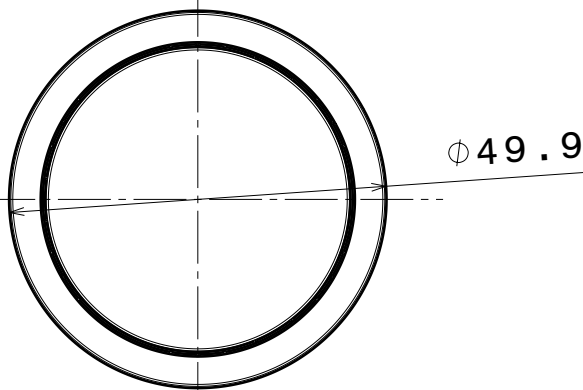


Front view

Detail B

2

2



Top view

Detail A

Tolerances if not otherwise shown  
 According to DIN ISO 2768-1  
 Linear measures:  
 Up to 30mm class M, otherwise class C.  
 According to DIN ISO 2768-2  
 Form and position: class L

**LEDiL** LediL Oy  
 Salorankatu 10  
 FIN 24240 SALO  
 Finland

THIRD ANGLE PROJECTION:

DRAWING TITLE  
**Datasheet MIRELLA-PIN-RZL**

This drawing is the property  
 of LEDiL Oy. It may not be  
 reproduced, copied or  
 communicated without a written  
 agreement with LEDiL Oy."

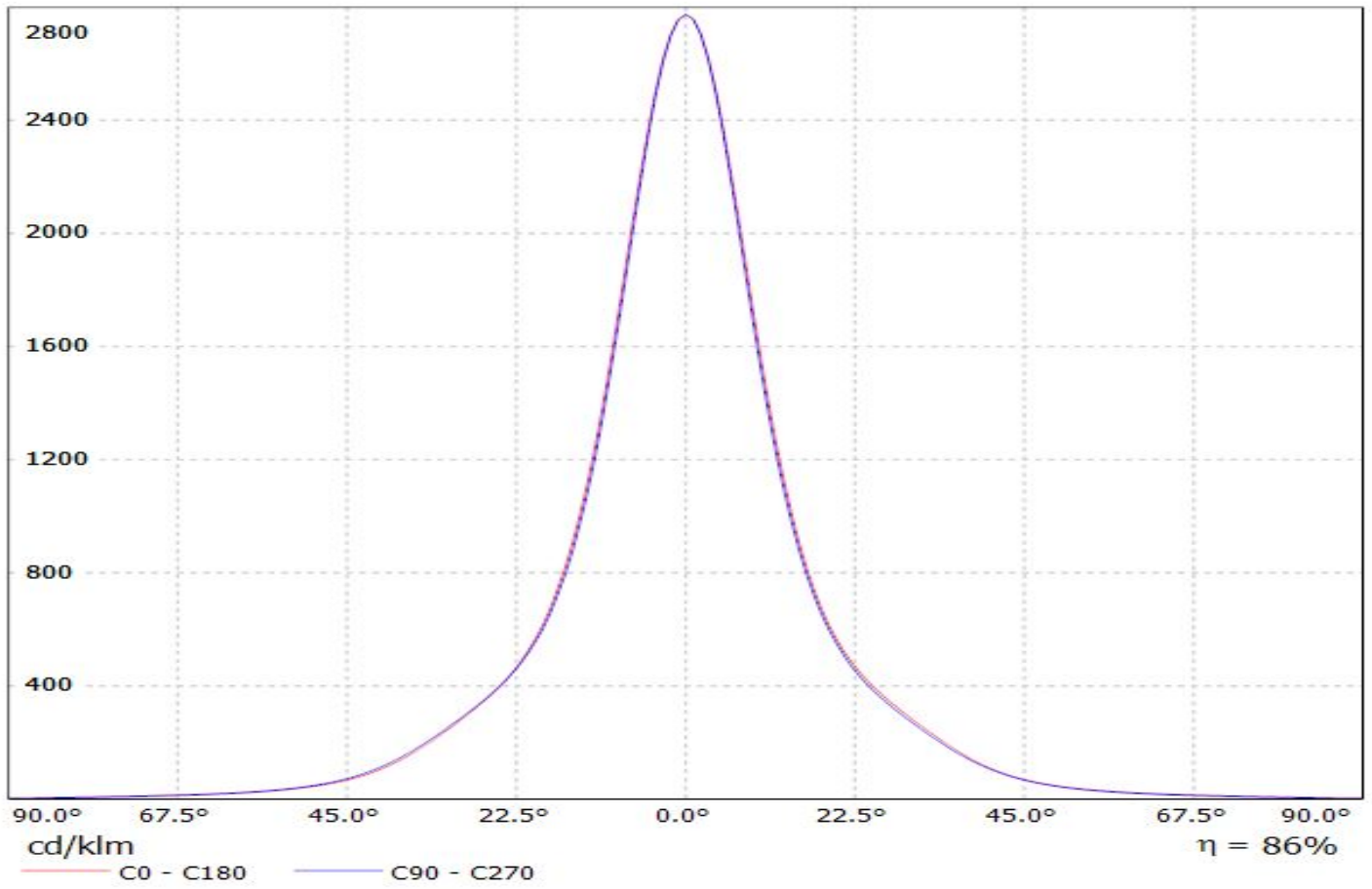
SIZE	PART NUMBER		
A4	-		
SCALE	1:1	WEIGHT	-
		SHEET	1/1

D

A

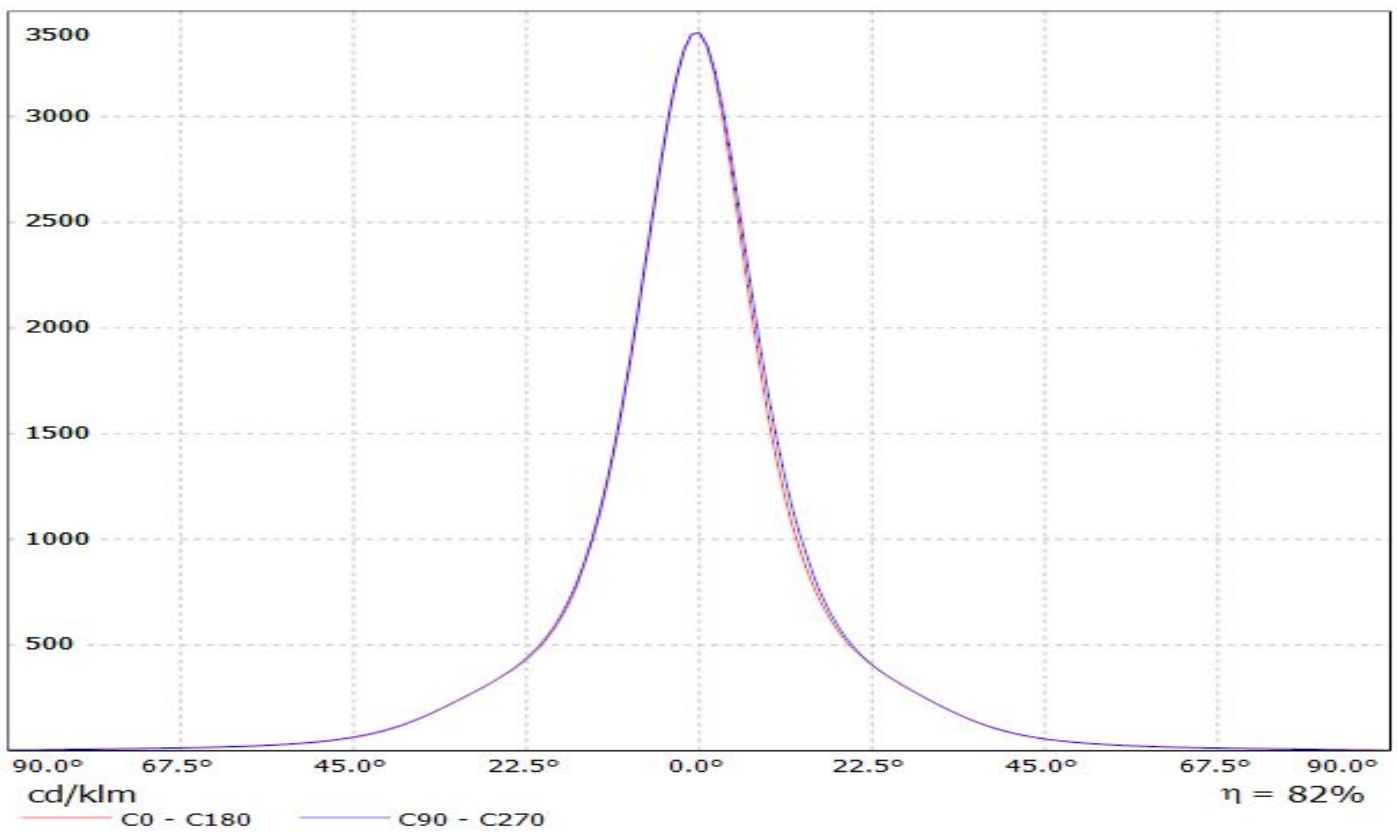
1

Luminaire: LEDiL Oy CN13902\_MIRELLA-50-S-PIN-RZL\_(CREE\_XHP50\_WARM\_WHITE)  
Lamps: 1 x CREE\_XHP50\_WARM\_WHITE\_195.126lm@250mA\_P=1.39922W\_I=0.2499A

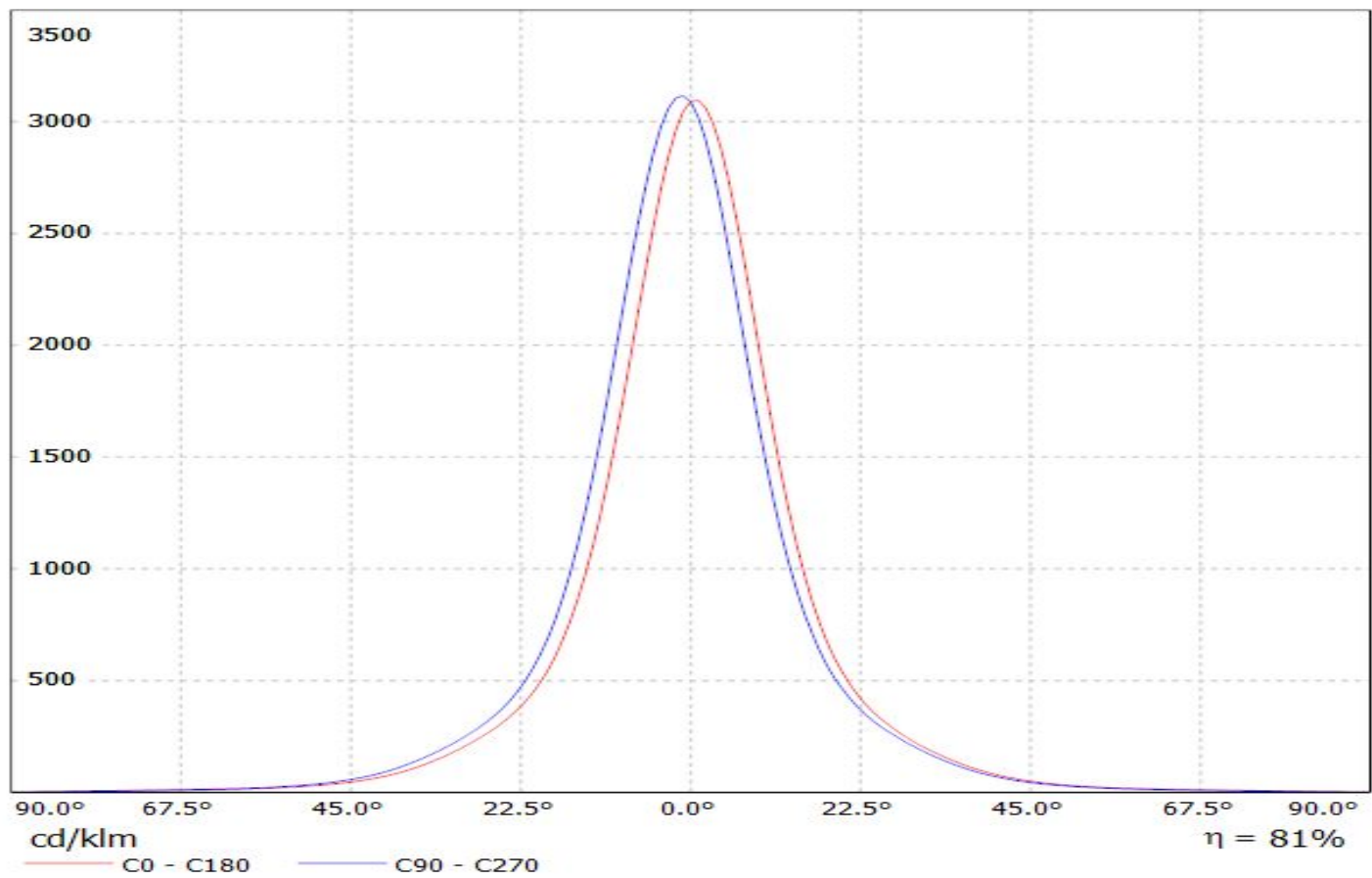


**LEDiL Oy CN13902\_MIRELLA-50-S-PIN-RZL\_(Luxeon-Z\_RGB) Eff.82.1% / LDC  
(Linear)**

Luminaire: LEDiL Oy CN13902\_MIRELLA-50-S-PIN-RZL\_(Luxeon-Z\_RGB) Eff.82.1%  
Lamps: 1 x Luxeon-Z\_RGB\_161.075lm@250mA\_P=2.64394W\_I=249.9mA

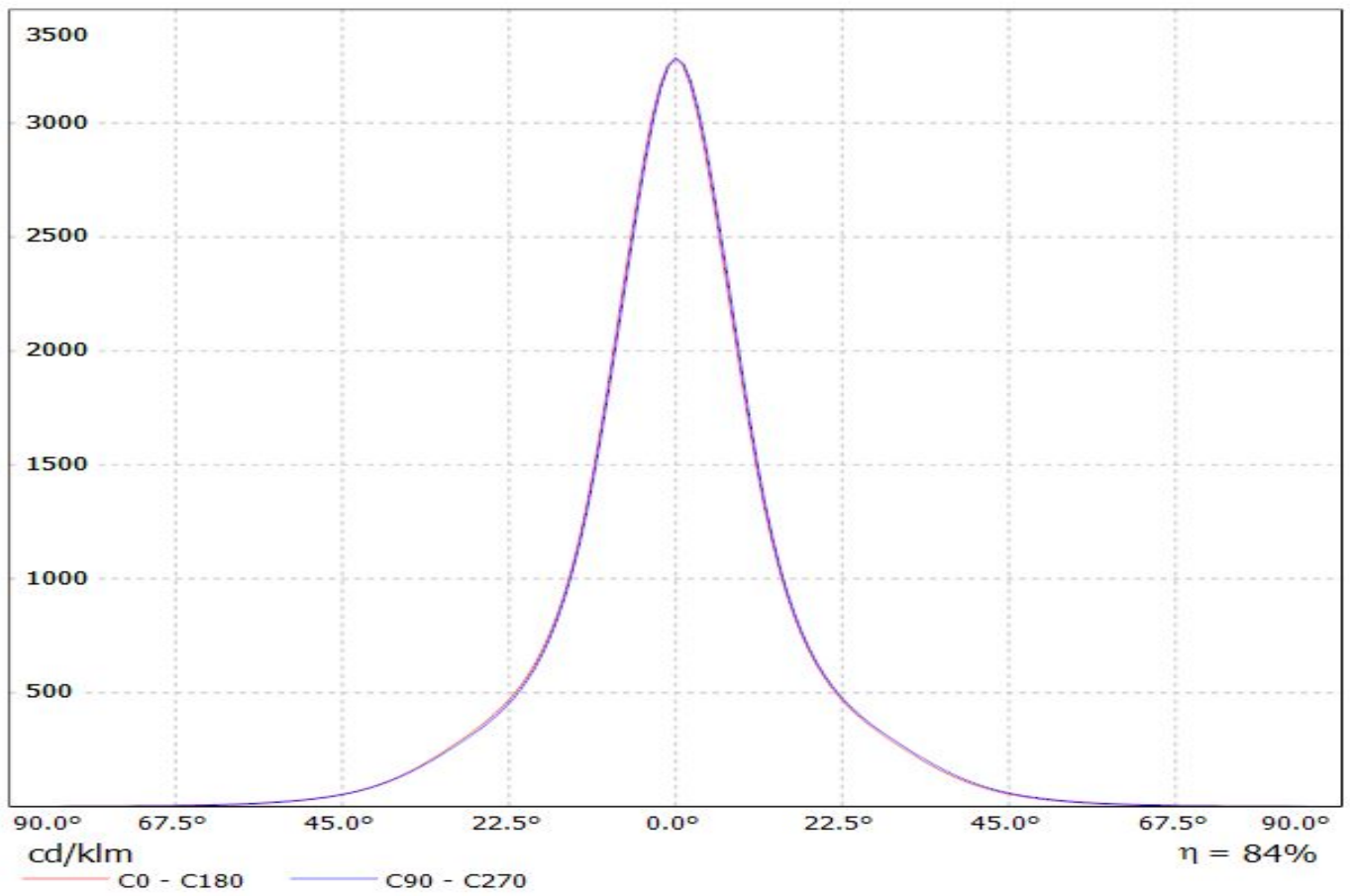


Luminaire: LEDiL Oy CN13902\_MIRELLA-50-S-PIN-RZL\_(Luxeon\_C\_RGBW)  
Lamps: 1 x Luxeon\_C\_RGBW\_208.984lm@250mA\_P=2.5474W\_I=0.250A

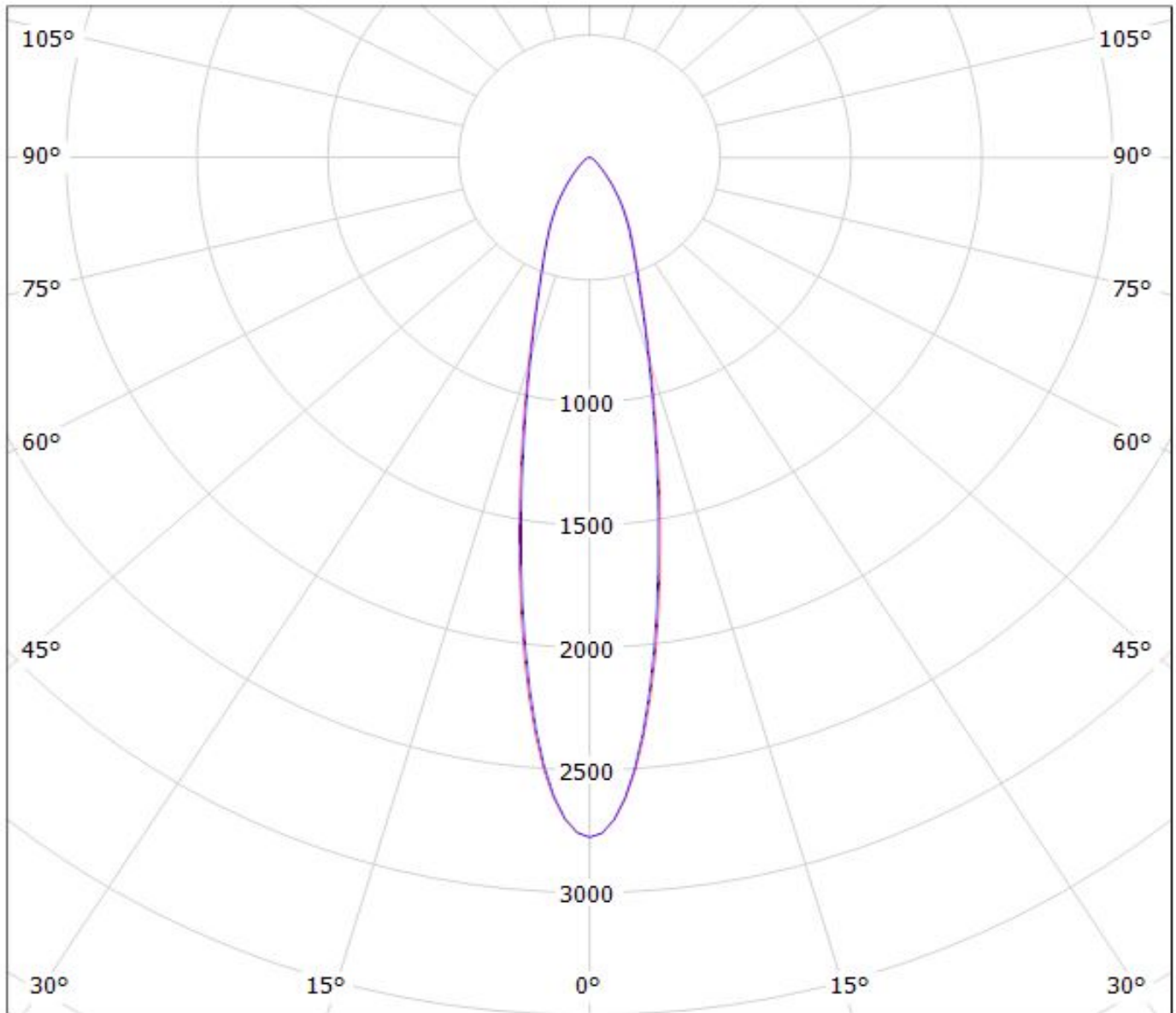




Luminaire: Ledil Oy  
Lamps: 1 x CN13902\_MIRELLA-50-S-PIN-RZL\_(F50360\_RGB)



Luminaire: LEDiL Oy CN13902\_MIRELLA-50-S-PIN-RZL\_(CREE\_XHP50\_WARM\_WHITE)  
Lamps: 1 x CREE\_XHP50\_WARM\_WHITE\_195.126lm@250mA\_P=1.39922W\_I=0.2499A



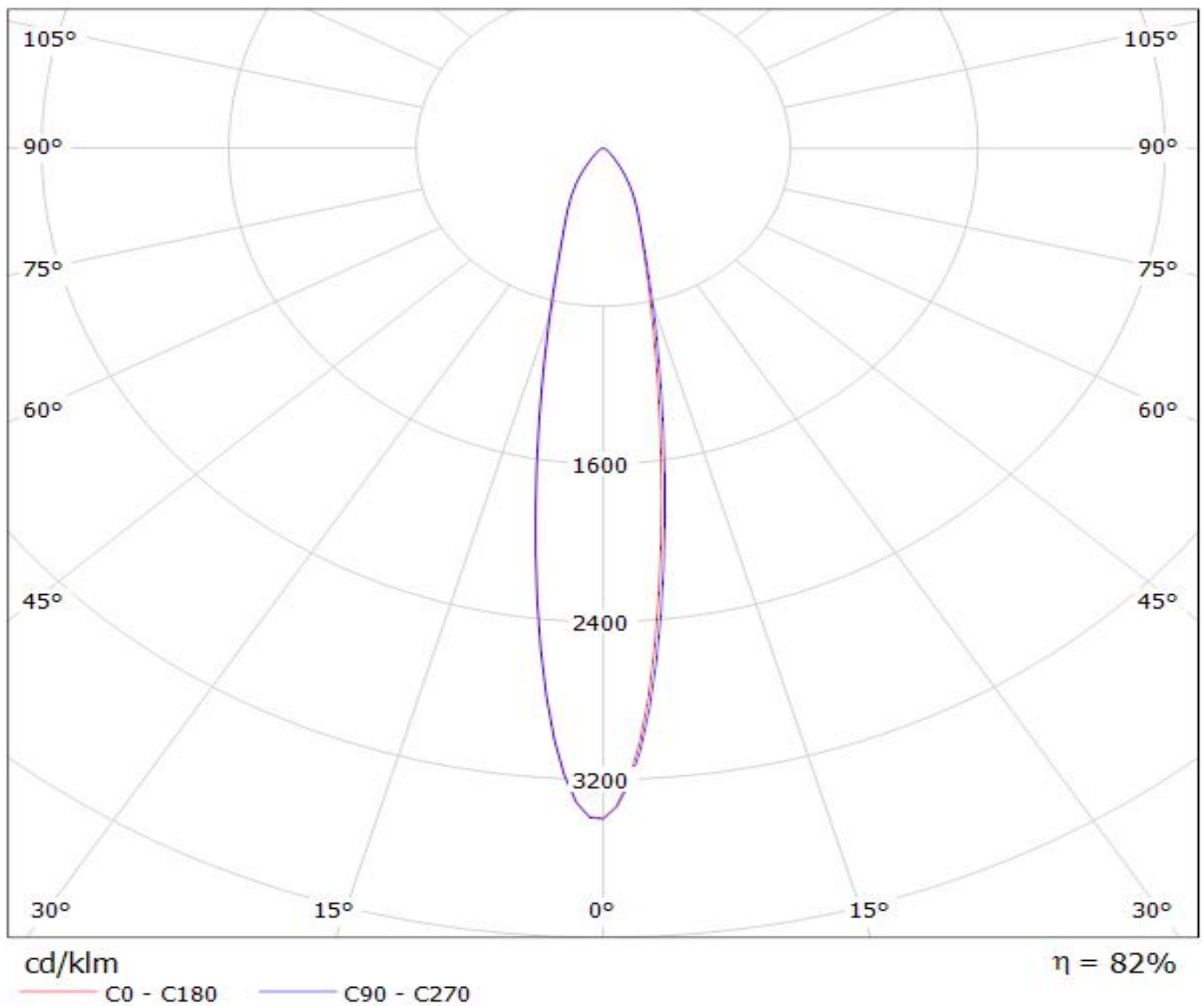
cd/klm

— C0 - C180 — C90 - C270

$\eta = 86\%$

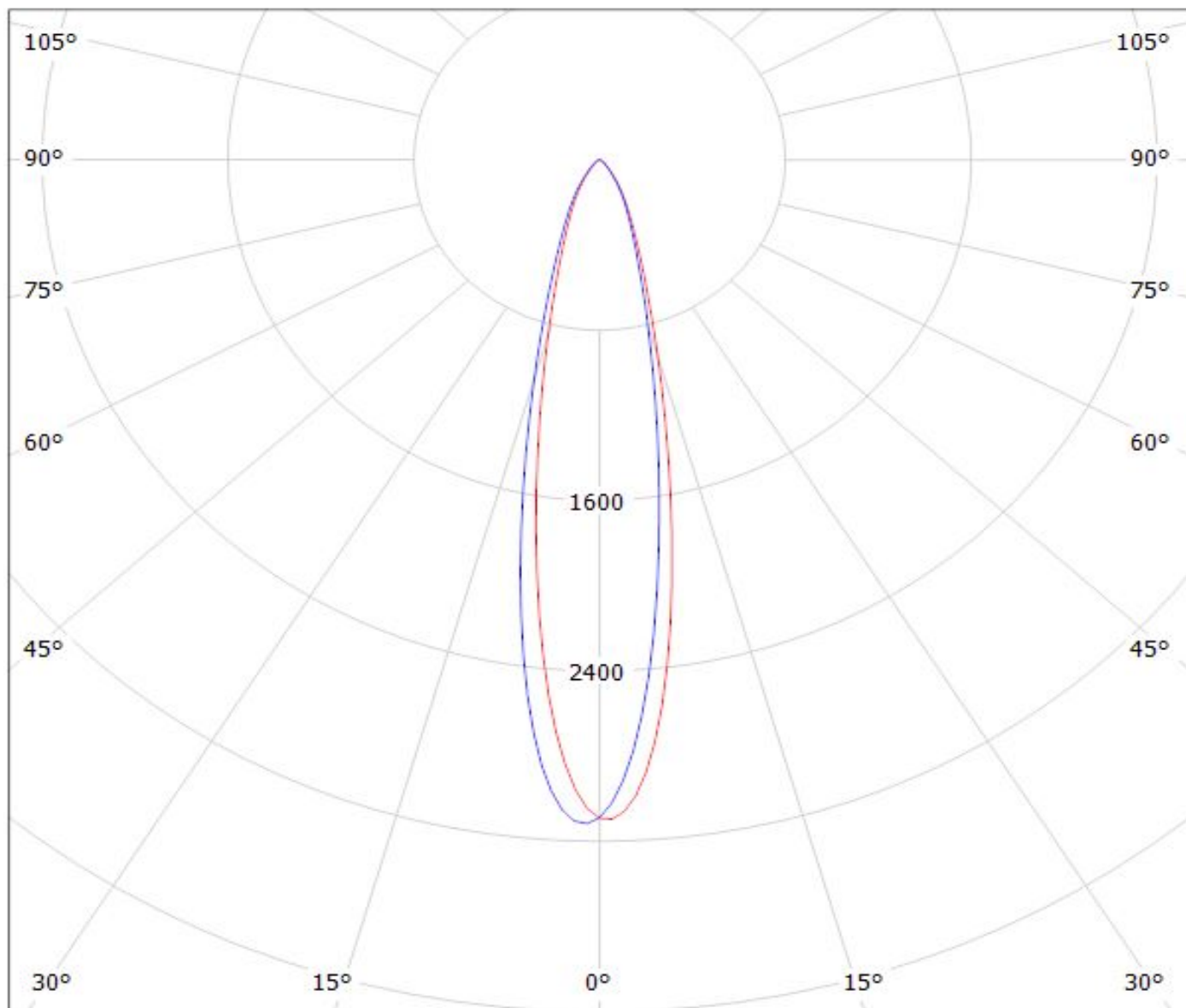
**LEDiL Oy CN13902\_MIRELLA-50-S-PIN-RZL\_(Luxeon-Z\_RGB) Eff.82.1% / LDC (Polar)**

Luminaire: LEDiL Oy CN13902\_MIRELLA-50-S-PIN-RZL\_(Luxeon-Z\_RGB) Eff.82.1%  
Lamps: 1 x Luxeon-Z\_RGB\_161.075lm@250mA\_P=2.64394W\_I=249.9mA



Luminaire: LEDiL Oy CN13902\_MIRELLA-50-S-PIN-RZL\_(Luxeon\_C\_RGBW)

Lamps: 1 x Luxeon\_C\_RGBW\_208.984lm@250mA\_P=2.5474W\_I=0.250A



cd/klm

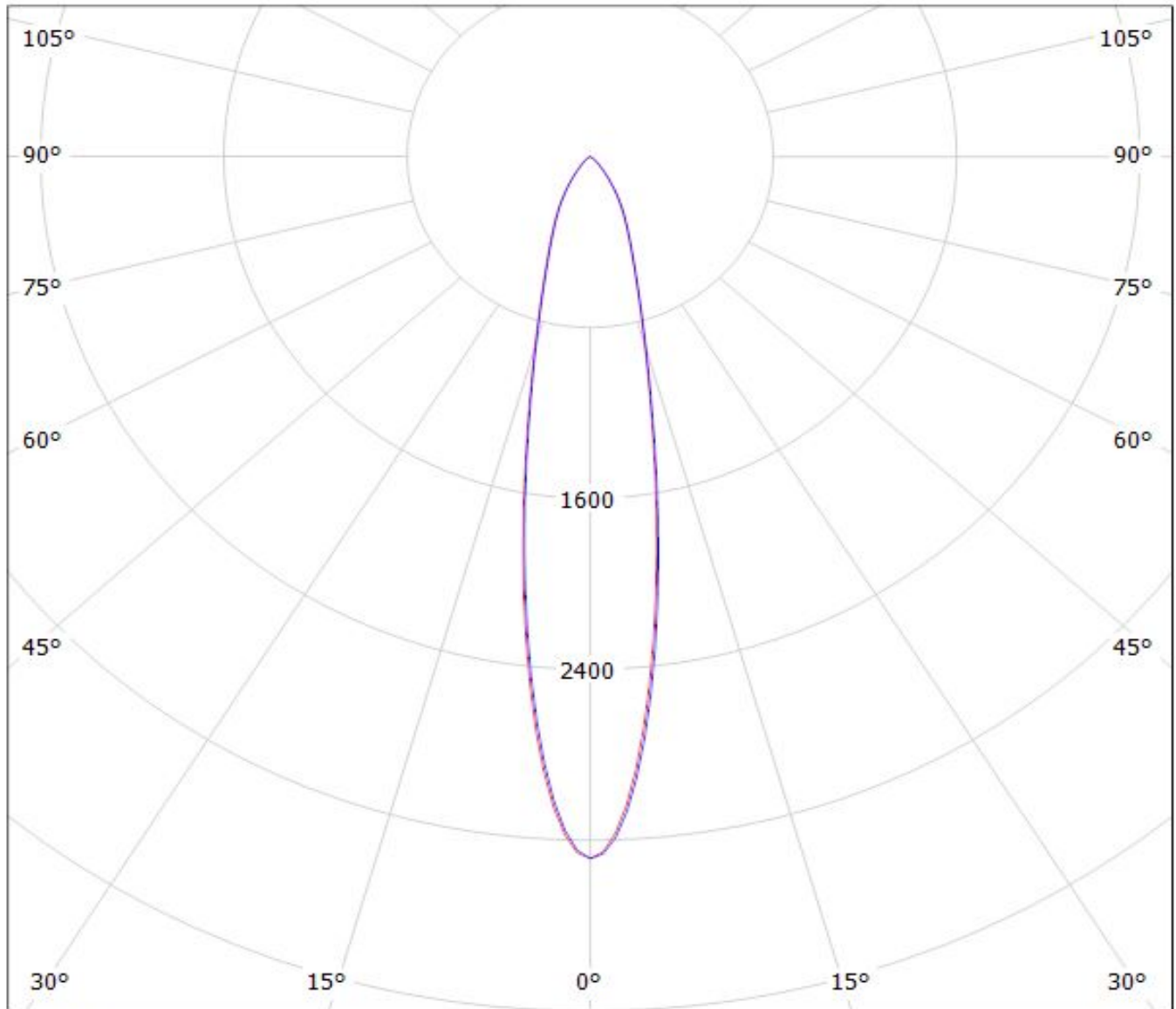
— C0 - C180

— C90 - C270

$\eta = 81\%$

Luminaire: Ledil Oy

Lamps: 1 x CN13902\_MIRELLA-50-S-PIN-RZL\_(F50360\_RGB)



cd/klm

$\eta = 84\%$

— C0 - C180

— C90 - C270

**NOTE: The typical divergence will be changed by different color, chip size and chip position tolerance. The typical total divergence is the full angle measured where the luminous intensity is half of the peak value.**