

**SAFETY ORGANIZATIONS**

THIS FILTER HAS BEEN FORMALLY RECOGNIZED, CERTIFIED OR APPROVED BY THE LISTED AGENCY. THEREFORE, ALL TEST REQUIREMENTS SPECIFIED IN THE LATEST REVISION OF THE FOLLOWING AGENCY STANDARDS HAVE BEEN MET:

UL RECOGNIZED: UL 1283  
 CSA CERTIFIED: CSA 22.2, # 8  
 VDE APPROVED: EN 60939-2

**OPERATING SPECIFICATIONS**

LINE CURRENT/VOLTAGE: 10 AMP/40°C, 120/250VAC

LINE FREQUENCY: 50-60Hz

MAXIMUM LEAKAGE CURRENT,  
 EACH LINE TO GROUND: 2.0µA @ 120V, 60Hz  
 5.0µA @ 250V, 50Hz

OPERATING AMBIENT TEMP. RANGE: -10°C TO +40°C @ RATED CURRENT, I<sub>r</sub>.

IN AN AMBIENT, T<sub>0</sub>, HIGHER THAN 40°C, THE MAXIMUM OPERATING CURRENT, I<sub>0</sub>, IS AS FOLLOWS:

$$I_0 = I_r \sqrt{\frac{85 - T_0}{45}}$$

**RELIABILITY SPECIFICATIONS:**

STORAGE TEMPERATURE: -40°C TO +85°C  
 HUMIDITY: 21 DAYS @ 40°C 95% RH.  
 CURRENT OVERLOAD TEST: 6 TIMES I<sub>r</sub> FOR 8 SECONDS

**TEST SPECIFICATIONS:**

INDUCTANCE: 0.27mH NOMINAL  
 CAPACITANCE: (MEASURED @ 1KHz, 0.250VAC MAX., 25°C±1°C)  
 LINE TO GROUND: N/A µF ±20%  
 LINE TO LINE: 0.10µF ±20%  
 DISCHARGE RESISTOR: 1.5MΩ  
 L/G AND L/L I.R.:  
 NO DISCHARGE RESISTOR: 6000MΩ (MIN.) @ 100VDC, 20°C AND 50% RH

**RECOMMENDED RECEIVING INSPECTION HIPOT:**

LINE TO GROUND: 1500VAC OR 2250VDC FOR 1 MINUTE  
 LINE TO LINE: 1450VDC FOR 1 MINUTE

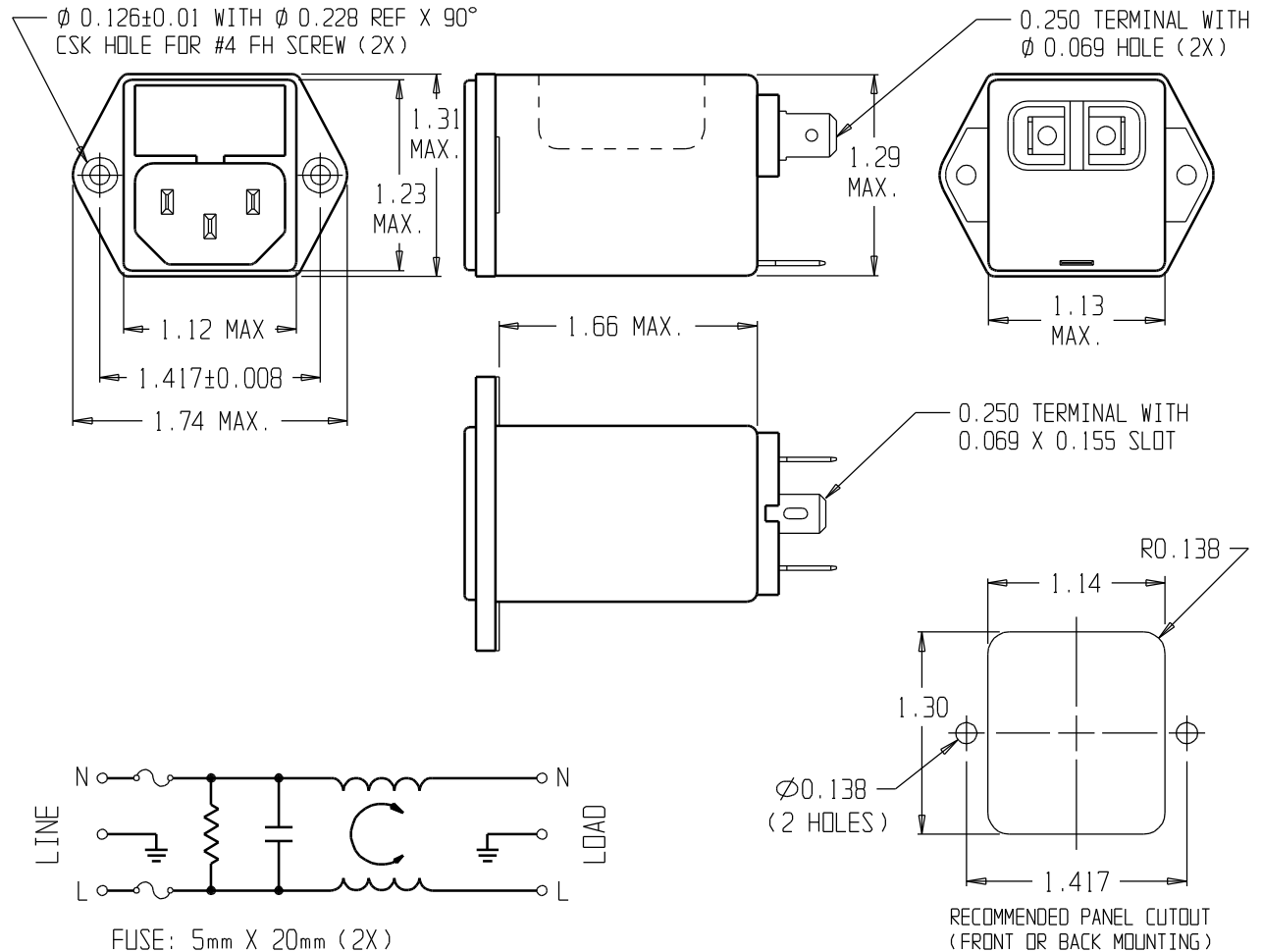
**FILTER APPROVAL:**

THE BEST WAY TO SELECT AND QUALIFY A FILTER IS FOR YOUR ENGINEERING TO TEST THE UNIT IN YOUR EQUIPMENT.

**CUSTOMER DRAWING**

**CATALOG #10EHG1-2**

| ECN #     | APPRVD. | DATE    |
|-----------|---------|---------|
| 08-010595 | ELC     | 21NOV08 |



|                                    |      |      |     |     |     |     |    |                        |  |   |                                  |
|------------------------------------|------|------|-----|-----|-----|-----|----|------------------------|--|---|----------------------------------|
| 50Ω - 50Ω (MINIMUM) INSERTION LOSS |      |      |     |     |     |     |    | THIRD ANGLE PROJECTION |  | <br>CORCON PRODUCTS, 620 S. BUTTERFIELD RD., MUNDELEIN IL 60060 |                                  |
| FREQUENCY MHz                      | 0.10 | 0.15 | 0.5 | 1.0 | 3.0 | 5.0 | 10 | 30                     | UNLESS OTHERWISE SPECIFIED, TOLERANCE TO BE ±.025 MATERIAL & FINISH: AS SUPPLIED   |   | CUSTOMER DRAWING 10EHG1-2        |
| COMMON dB                          | 1    | 3    | 5   | 6   | 7   | 8   | 9  | 10                     | THIS INFORMATION IS CONFIDENTIAL AND PROPRIETARY TO TYCO ELECTRONICS CORPORATION AND ITS WORLDWIDE SUBSIDIARIES AND AFFILIATES. IT MAY NOT BE DISCLOSED TO ANYONE OTHER THAN TYCO ELECTRONICS PERSONNEL, WITHOUT WRITTEN AUTHORIZATION FROM TYCO ELECTRONICS CORPORATION. HARRISBURG, PENNSYLVANIA USA |   | TYCO ELECTRONICS P/N 0-6609116-4 |
| DIFF. dB                           | 3    | 8    | 16  | 22  | 32  | 37  | 43 | 28                     | SCALE: NTS   | DATE: 04MAR08   | CATALOG NO. 10EHG1-2             |
|                                    |      |      |     |     |     |     |    |                        | DRW. BY: JF  | DTG: PJD  | REV. 1                           |