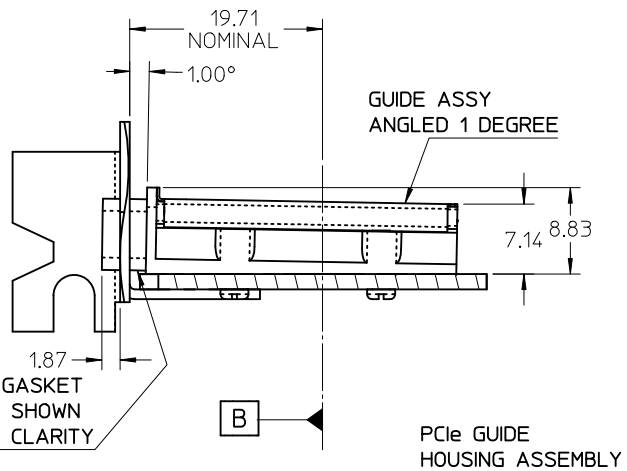


IO BRACKET WINDOW

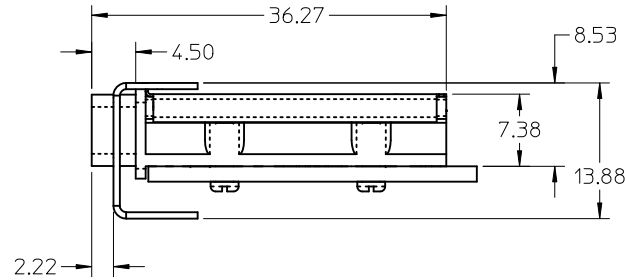
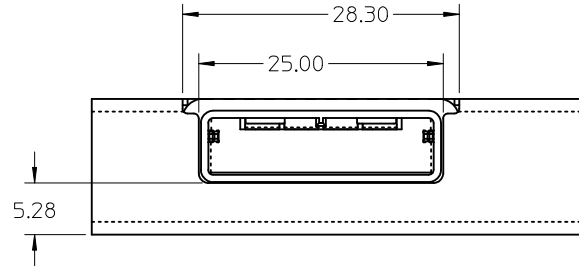
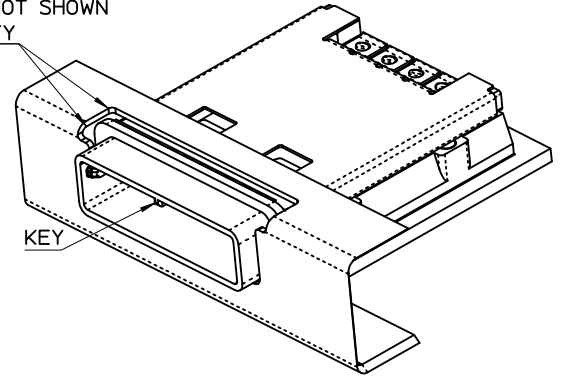
- NOTES:
- REF. PCI EXPRESS CARD ELECTROMECHANICAL SPECIFICATION, REV 1.0a FOR IO BRACKET WINDOW LOCATION.
 - PCB AND IO BRACKET SHOWN FOR REFERENCE ONLY.
 - REFER TO SHEET 2 FOR ATCA GUIDE HOUSING ASSEMBLY.
 - GUIDE HOUSING MOUNTING THREAD= M2.5 X 0.45.



iPass™ is a trademark of Molex.

DOC HISTORY ONLY EC NO: USY2011-0103 DRAWN BY: DRWINBREED 2005/02/03 CHKD: DDOYNE 2005/02/03 APPR: DDOYNE 2010/08/27	QUALITY SYMBOLS ▽=0 ▽7=0	GENERAL TOLERANCES (UNLESS SPECIFIED)		DIMENSION STYLE MM ONLY		SCALE 2:1	DESIGN UNITS METRIC	THIRD ANGLE PROJECTION		
		4 PLACES ± --- ± ---	mm INCH	DRAWN BY BAREED	DATE 2005/02/03	TITLE IPASS X4 EMI GUIDE HOUSING ASSEMBLY GEN 1				
		3 PLACES ± --- ± ---		CHECKED BY DDOYNE	DATE 2005/02/03	MOLEX INCORPORATED				
		2 PLACES ± 0.05 ± ---		APPROVED BY DDOYNE	DATE 2005/02/03	MATERIAL NO. SEE TABLE	DOCUMENT NO. SD-74540-400	SHEET NO. 1 OF 2		
DRAFT WHERE APPLICABLE MUST REMAIN WITHIN DIMENSIONS		ANGULAR ± 1/2°		THIS DRAWING CONTAINS INFORMATION THAT IS PROPRIETARY TO MOLEX INCORPORATED AND SHOULD NOT BE USED WITHOUT WRITTEN PERMISSION						

GASKETS NOT SHOWN FOR CLARITY



ADVANCED TCA
LOW PROFILE GUIDE
HOUSING ASSEMBLY

iPass™ is a trademark of Molex.

PART NUMBER	DESCRIPTION
74540-0400	X4 EMI GUIDE HOUSING ASSEMBLY - PCIe
74540-0500	X4 EMI GUIDE HOUSING ASSEMBLY - ATCA

DOC HISTORY ONLY EC NO: USY2011-0103 DRAWN BY: DRWIN/BREED CHKD: DDOYE APPR: DDOYE 2005/02/03 2005/02/03 2010/08/27	QUALITY SYMBOLS ▽=0 ▽=0	GENERAL TOLERANCES (UNLESS SPECIFIED)		DIMENSION STYLE MM ONLY		SCALE 2:1	DESIGN UNITS METRIC	THIRD ANGLE PROJECTION		
		4 PLACES ± --- ± ---	DRAWN BY BAREED	DATE 2005/02/03	TITLE IPASS X4 EMI GUIDE HOUSING ASSEMBLY GEN 1					
		3 PLACES ± --- ± ---	CHECKED BY DDOYE	DATE 2005/02/03						
		2 PLACES ± 0.05 ± ---	APPROVED BY DDOYE		DATE 2005/02/03		MOLEX INCORPORATED			
1 PLACE ± 0.10 ± ---	MATERIAL NO. SEE TABLE		DOCUMENT NO. SD-74540-400		SHEET NO. 2 OF 2					
DRAFT WHERE APPLICABLE MUST REMAIN WITHIN DIMENSIONS		ANGULAR ± 1/2°		THIS DRAWING CONTAINS INFORMATION THAT IS PROPRIETARY TO MOLEX INCORPORATED AND SHOULD NOT BE USED WITHOUT WRITTEN PERMISSION						