

THIS DRAWING IS UNPUBLISHED.

RELEASED FOR PUBLICATION

20

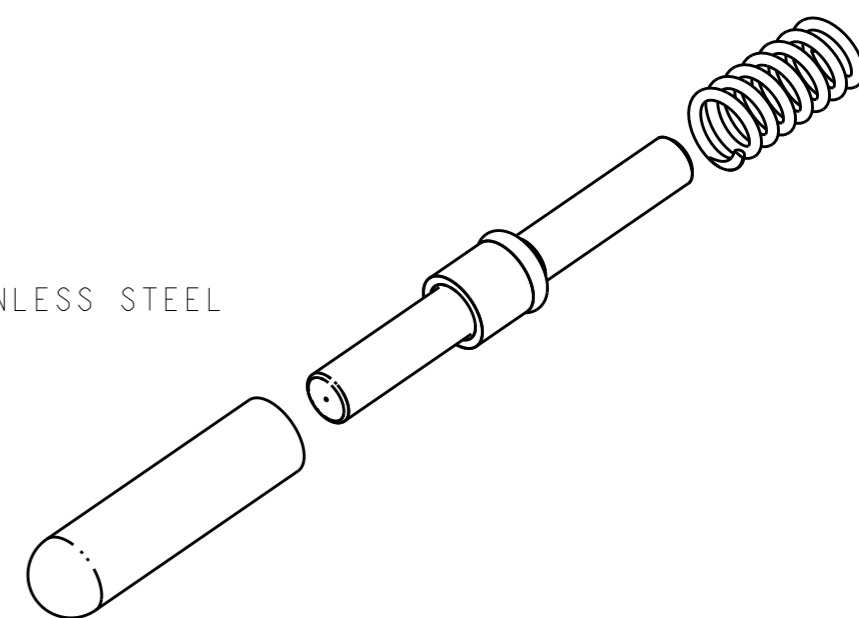
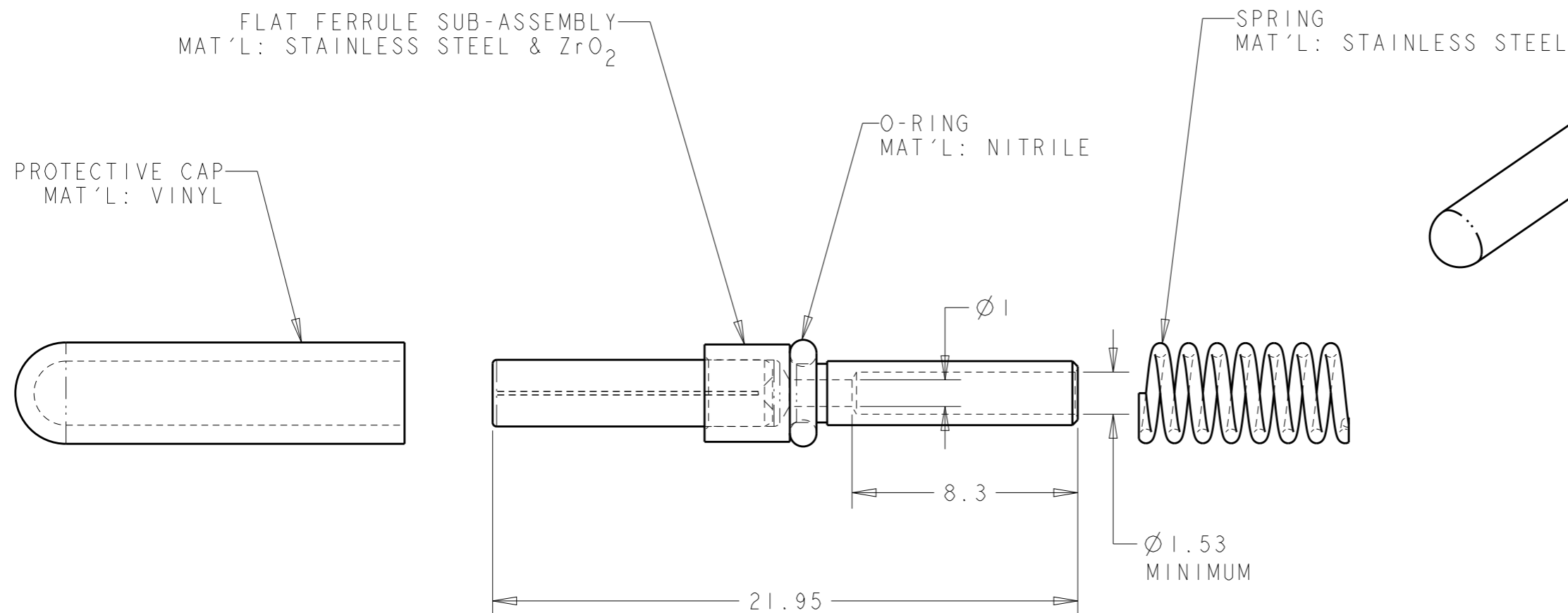
© COPYRIGHT 20 BY -

ALL RIGHTS RESERVED.

REVISIONS

P	LTR	DESCRIPTION	DATE	DWN	APVD
	D	ECR-15-003024	01DEC2015	KG	DW
	E	ECR-17-000370	13JAN2017	KG	DW

- 1. FOR USE WITH TE PRO BEAM SR. MULTIMODE EXPANDED BEAM INSERT.
- 2. ALL DIMENSIONS ARE FOR REFERENCE ONLY.



SCALE 3:1

1588801-1

PART NUMBER

THIS DRAWING IS A CONTROLLED DOCUMENT.

DWN 23 JUL 2002
 K. GLATFELTER
 CHK 25 JUL 2002
 D. WERTMAN
 APVD 30 JUL 2002
 D. WERTMAN



NAME
 FERRULE KIT, PRO BEAM SR,
 FLAT ENDFACE

DIMENSIONS: mm		TOLERANCES UNLESS OTHERWISE SPECIFIED:	
	0 PLC	±-	
	1 PLC	±-	
	2 PLC	±-	
	3 PLC	±-	
	4 PLC	±-	
	ANGLES	±-	
MATERIAL AS LISTED	FINISH	N/A	

PRODUCT SPEC -
 APPLICATION SPEC -
 WEIGHT -
 CUSTOMER DRAWING

SIZE	CAGE CODE	DRAWING NO	RESTRICTED TO
A3	00779	1588801	-
SCALE 5:1		SHEET 1 OF 1	REV E