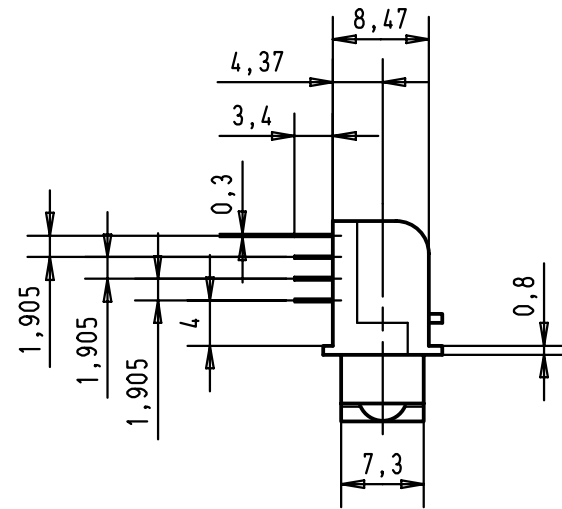
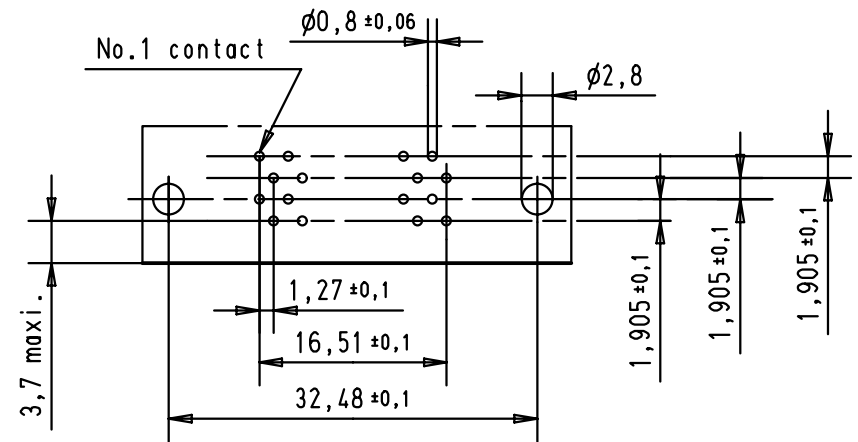
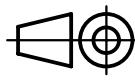



Printed board layout
Component side



				Dat.	Name	 All Dim. in mm Orig. Size DIN A 4	har.mik [®] I/O bellow 28 poles male connector with angled solder pins and fixed latching	Maßstab/ Scale 1,5:1
			Detail.	30-AUG-00	JB			
			Insp.					
			Stand.					
27941	30-AUG-00	JB	HARTING EURL F-95972 Paris				TB 60 11 028 5232	Blatt/ Page 1 / 1
Mod.	Dat.	Name						