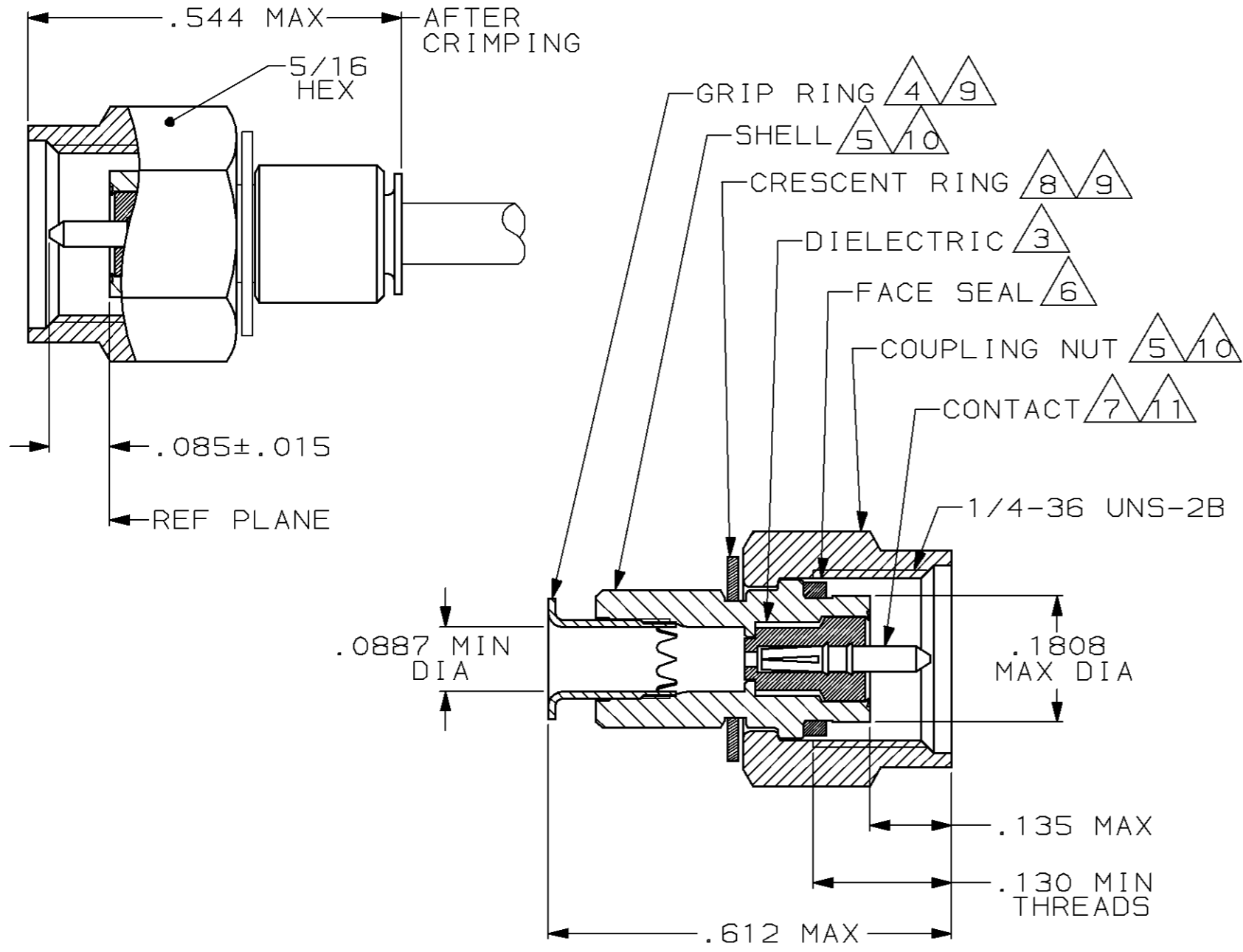
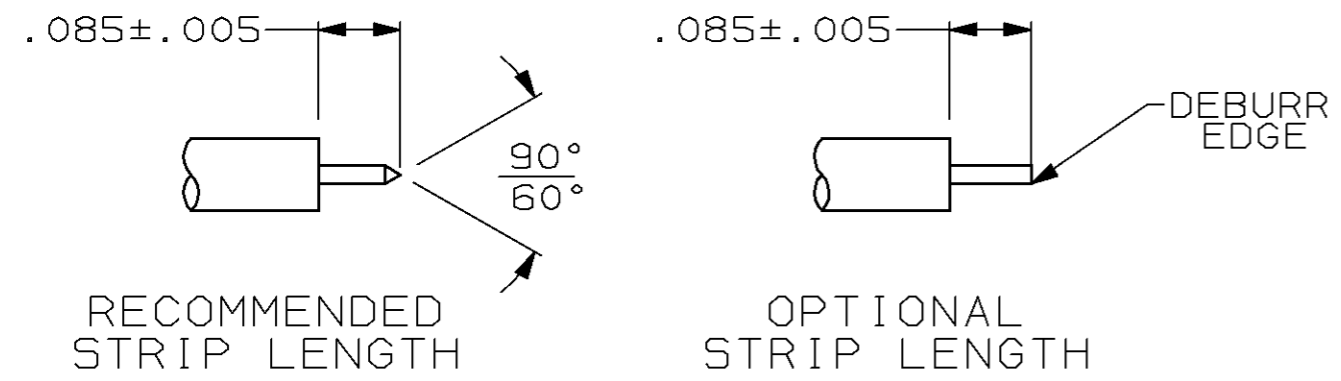


THIS DRAWING IS UNPUBLISHED. RELEASED FOR PUBLICATION, 19
 © COPYRIGHT 19 BY AMP INCORPORATED, HARRISBURG, PA. ALL INTERNATIONAL RIGHTS RESERVED. AMP PRODUCTS MAY BE COVERED BY U.S. AND FOREIGN PATENTS AND/OR PATENTS PENDING.

LOC	DIST			REVISIONS				
AJ	16	P	F	ZONE	LTR	DESCRIPTION	DATE	APPROVED
					D	REV PER 0G30-0431-98	280CT98	MO



1. FOR USE WITH: RG-405/U, .086 SEMI-RIGID CABLE
2. SEE I.S. 6788
3. PTFE PER ASTM D1710
4. BRASS PER ASTM-B-36
5. STAINLESS STEEL PER ASTM-A-582
6. SILICONE RUBBER PER ZZ-R-765
7. BERYLLIUM COPPER PER ASTM-B-197
8. BERYLLIUM COPPER, ALLOY #25
9. NICKEL PL PER QQ-N-290
10. PASSIVATION PER ASTM A967
11. GOLD PL PER MIL-G-45204
12. 00779 M39012/79-3307
13. .500 MIN LENGTH OF STRAIGHT CABLE REQUIRED TO APPLY THE CONNECTOR



UNLESS OTHERWISE SPECIFIED DIMENSIONS ARE IN INCHES TOLERANCES ON:		DR	M. SNEED	3-17-87	AMP	AMP INCORPORATED Harrisburg, Pa. 17105	
2 PL DEC ±	_____	CHK	D. HEIDE	3-17-87		NAME	
3 PL DEC ±	_____	APPD	M. WALMSLEY	3-17-87	PLUG, MIL-F, SERIES SMA		
ANGLES ±	_____	APPD	M. SNEED	3-17-87	SIZE	FSCM NO	DRAWING NO
MATERIAL	3 THRU 8	PRODUCT SPEC	108-12055		B	00779	228639-1
FINISH	9 THRU 11	APPLICATION SPEC			SCALE	5:1	SHEET 1 OF 1
		WEIGHT					

228639-1
PART NO