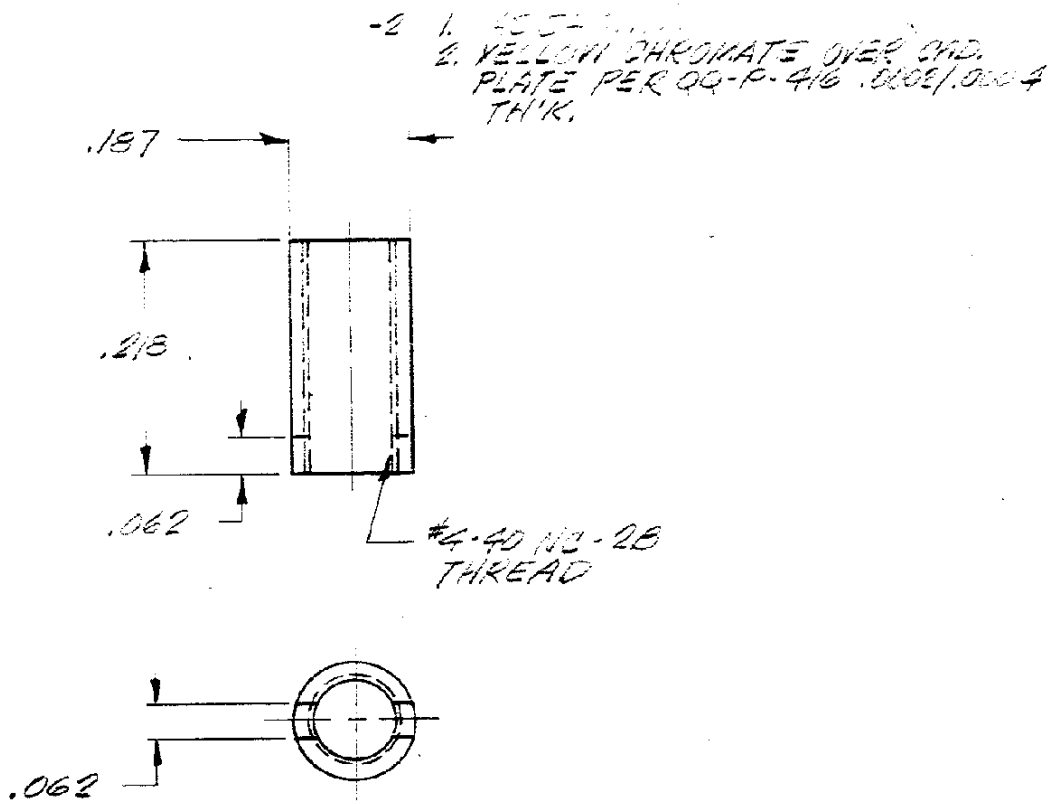


DRAWING MADE IN THIRD ANGLE PROJECTION


LOC *R* DIST *39*

© COPYRIGHT 1978 BY AMP INCORPORATED, HARRISBURG, PA. ALL INTERNATIONAL RIGHTS RESERVED. AMP INCORPORATED PRODUCTS COVERED BY U. S. AND FOREIGN PATENTS AND /OR PATENTS PENDING.

REVISIONS				
LTR	DESCRIPTION	DATE	APPROVED	P/F
<i>0</i>	<i>RELEASED</i>	<i>8/30/78</i>	<i>[Signature]</i>	<i>✓</i>



PART NO

UNLESS OTHERWISE SPECIFIED DIMENSIONS ARE IN INCHES. TOLERANCES ON: DECIMALS ± .005 ANGLES ± #	CONTRACT NO	 <b>AMP INCORPORATED</b> Harrisburg, Pa.
	DR <i>F. Liffman 8/30/78</i>	
MATERIAL	CHK <i>Richard Hunt #</i>	NAME
<i>BRASS PER QQ-B-626</i>	APPD <i>Schubler 9/5/78</i>	<i>POLARIZING POST NUT</i>
FINISH	APPD <i>J. Wise 9/5/78</i>	SIZE
<i>SEE DASH NO.</i>	DSGN APPD	<b>A</b>
	OTHER APPD	CODE IDENT NO
		<b>00779</b>
		DRAWING NO
		<i>202356</i>
		SCALE <i>#</i>
		SHEET <i>#</i>

AMP 1469-32 (7-73)

**CUSTOMER DRAWING**