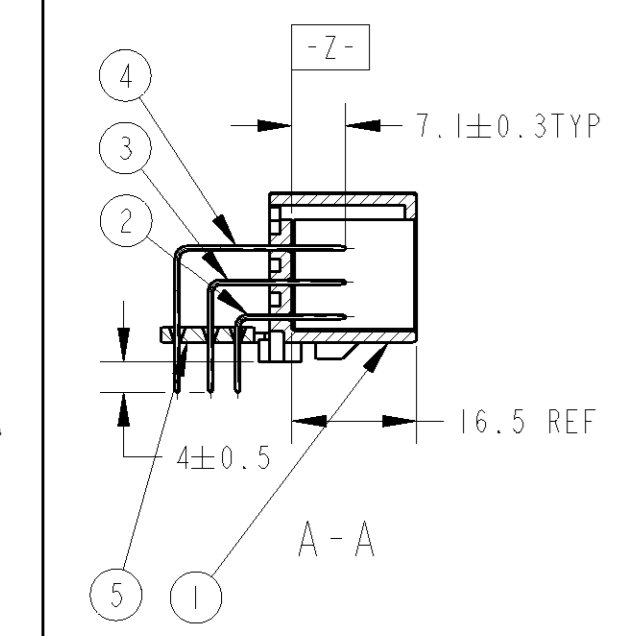
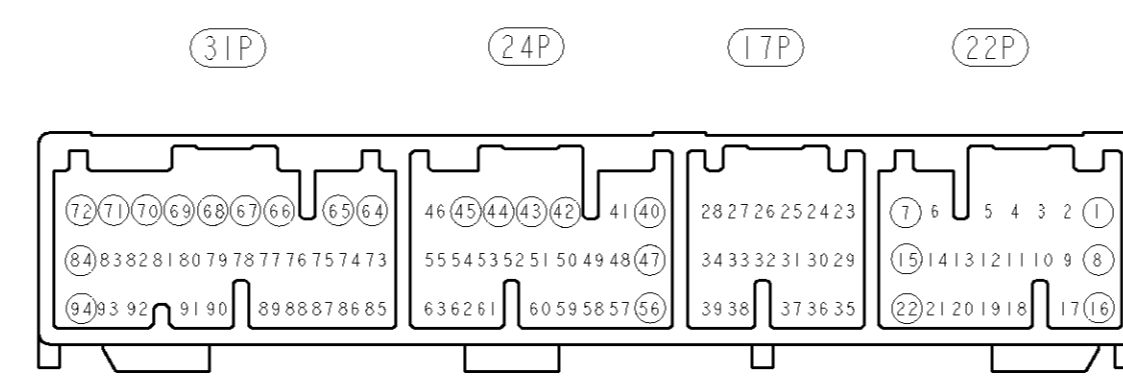
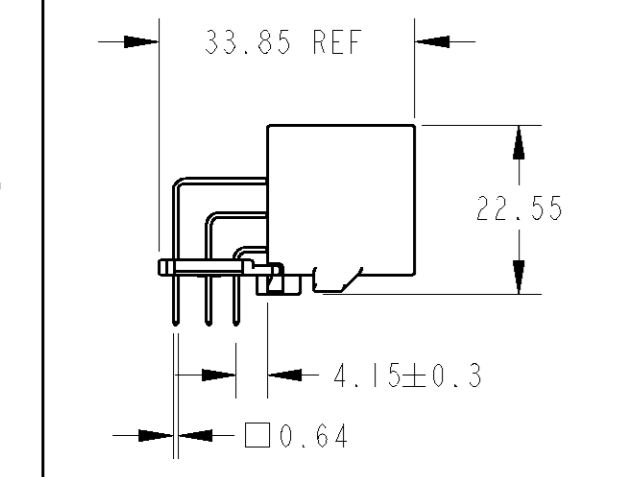
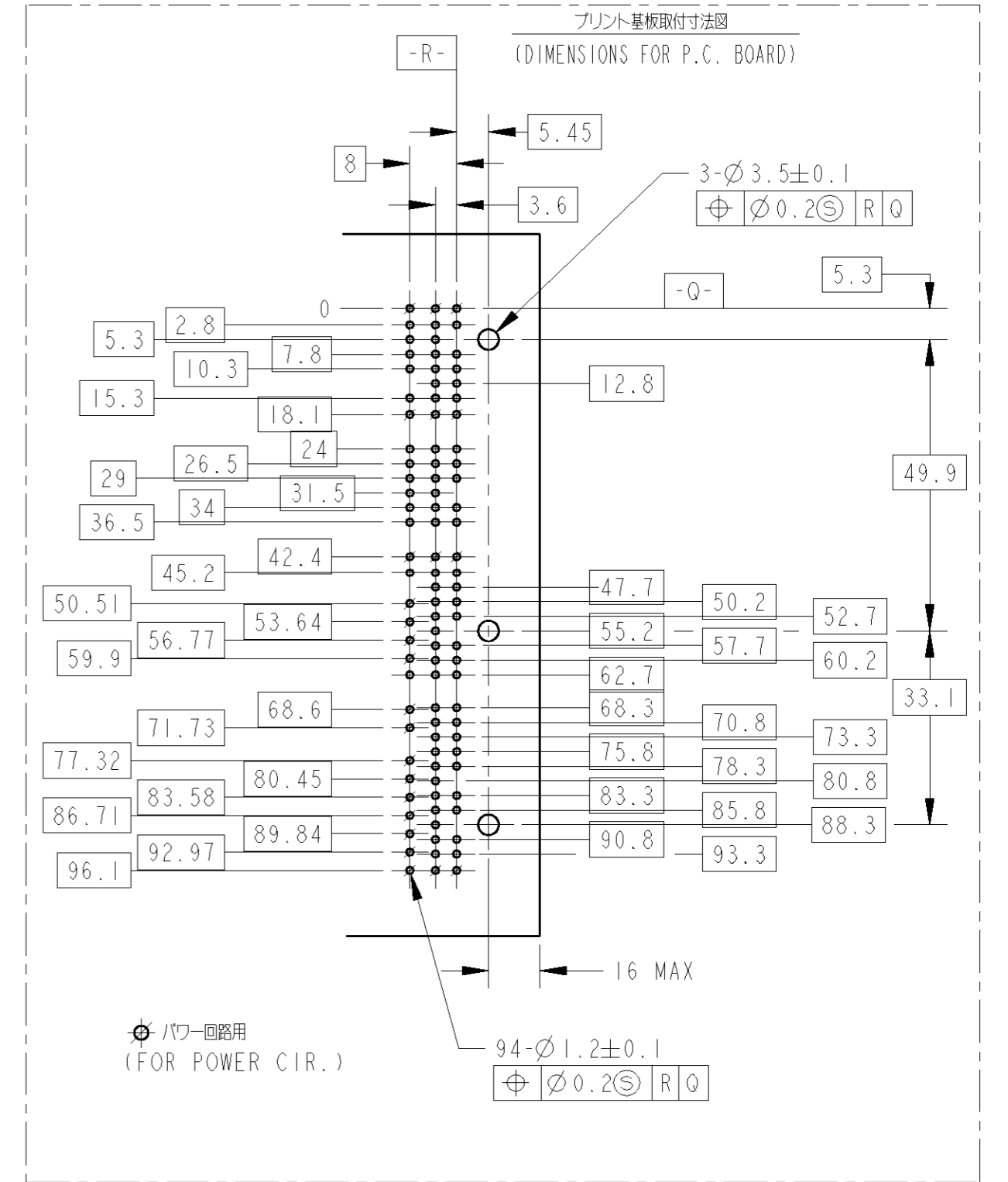
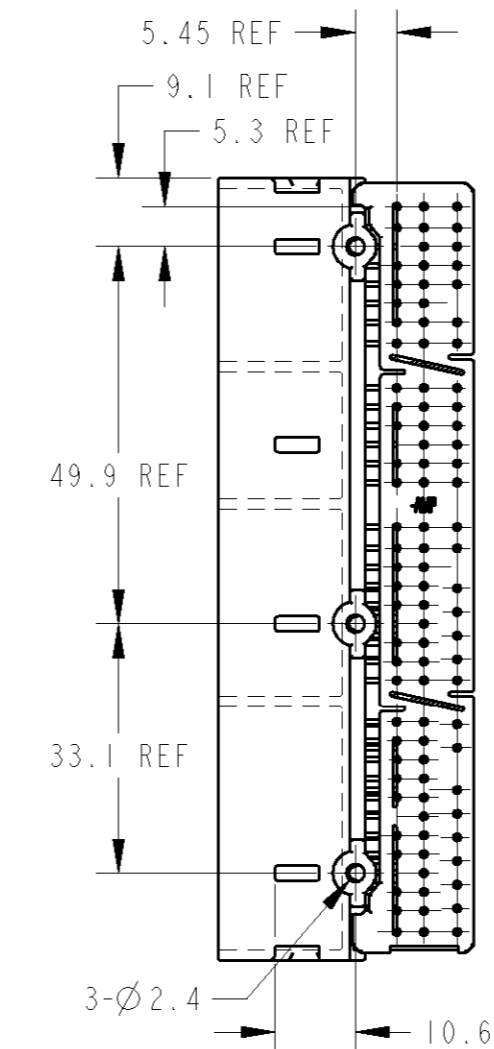
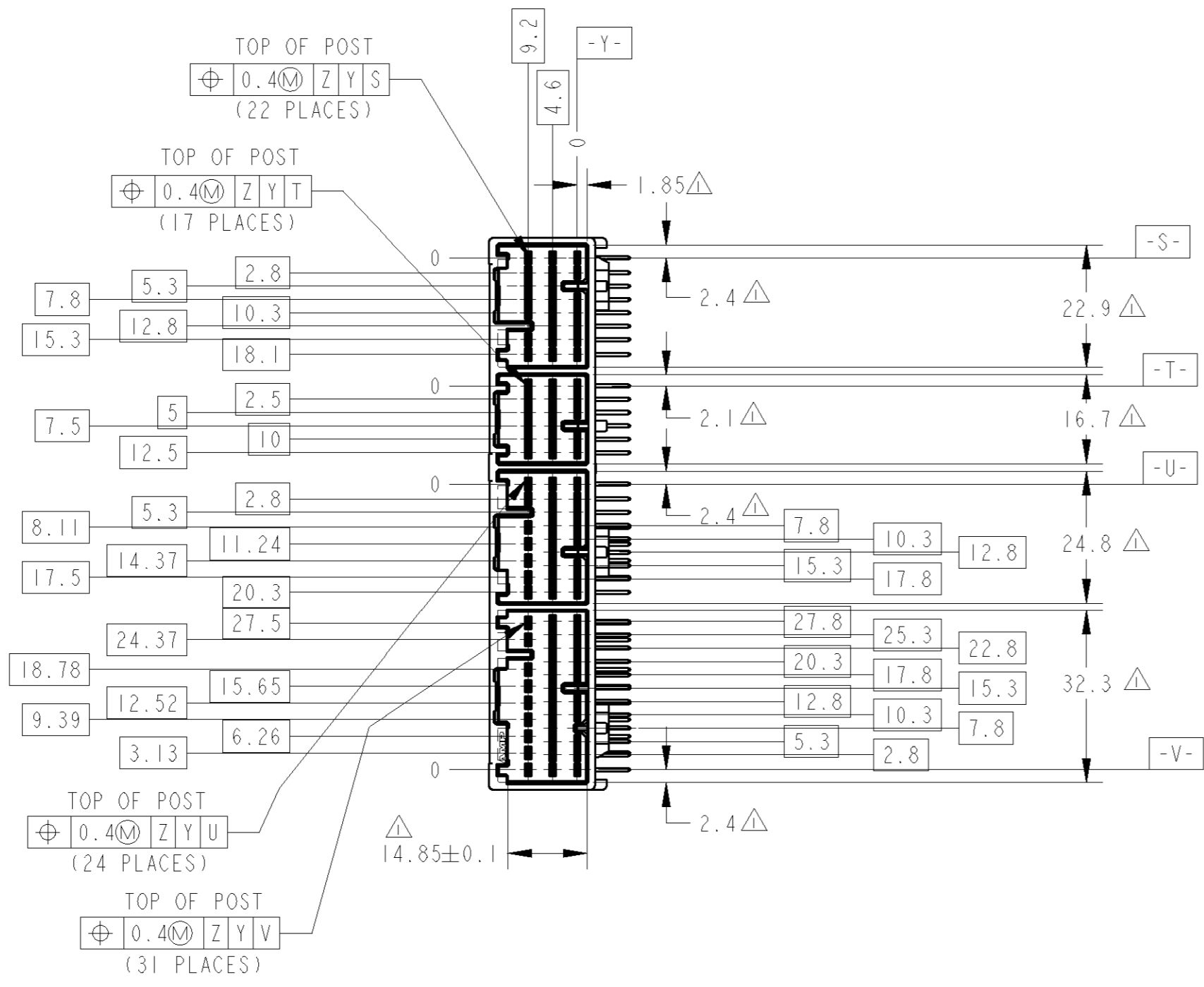
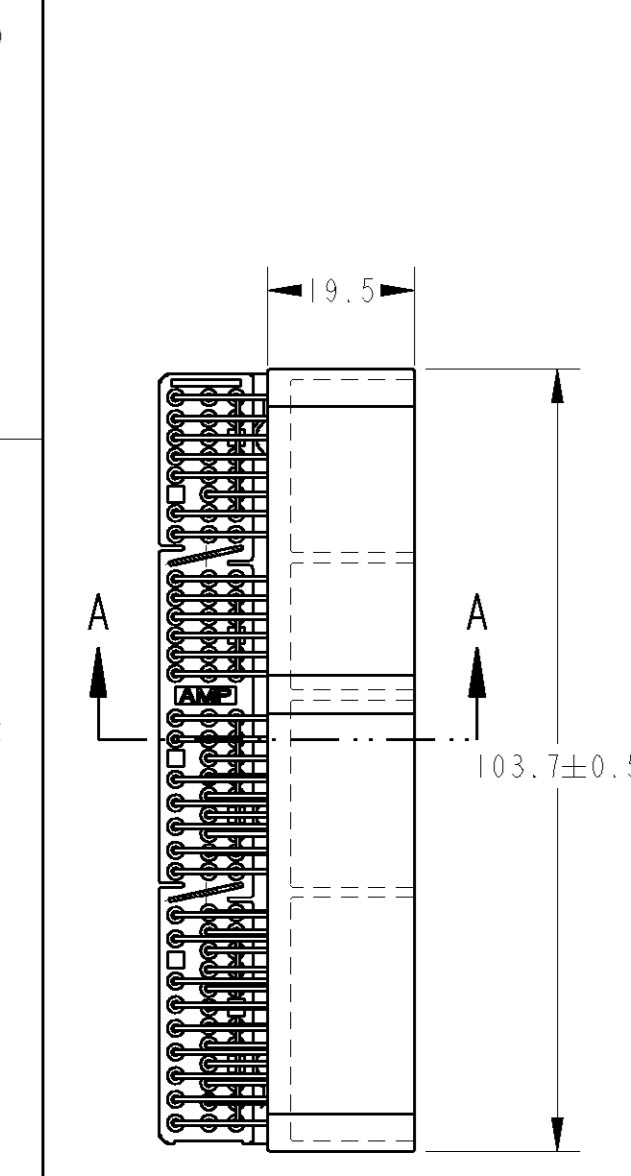


LOC	DIST	REVISIONS						
J		P	LTR	DESCRIPTION	ECN	DATE	DWN	APVD
			O	RELEASED	FJ00-0031-01	23APR01	K.S	K.A



- MEASURED AT THE SECTION 7.5mm FROM Z.
 1. POWER CIRCUITS (24) : SEE FIG 1
 2. CIRCUIT NUMBERS ; SEE FIG 1
 3. PART NO OF PLUG HOUSINGS TO BE MATED
 4. 17P; 353027
 22P; 353028
 24P; 353029
 31P; 353826
 5. RECOMMENDED SCREW: PAN-HEADED, TYPE 2 TAPPING SCREW OF 3DIA X 6LEN(MAX) (JIS B1115, B1122).
 6. FASTENING TORQUE FOR SCREW: 0.392N·m MAX.
 7. INSTRUCTION SHEET 411-5931

- ② (N) ; FOR POWER CIRCUIT
 ③ Fig 1 CIRCUIT NUMBERS
 Z面より7.5mmの位置で測定
 1. パワー回路(24極); FIG 1 参照
 2. 回路番号; FIG 1 参照
 3. 嵌合相手ハウジング型番
 4. 17P: 353027
 22P: 353028
 24P: 353029
 31P: 353826
 5. 推奨取付ねじ: JIS B1115, B1122タッピングねじ, なべ2種
 呼び径3, 長さ6以下
 6. ねじ締め付トルク: 0.392N·m MAX.
 7. 取扱説明書 411-5931

	NATURAL (WHITE)	PBT	TINE PLATE	I	5
	PRE-TIN	COPPER ALLOY	TAB CONTACT(L)	29	4
	PRE-TIN	COPPER ALLOY	TAB CONTACT(M)	35	3
	PRE-TIN	COPPER ALLOY	TAB CONTACT(S)	30	2
	NATURAL (WHITE)	PBT	CAP HOUSING	1	1
	FINISH/COLOR	MATERIAL	NAME	QTY	ITEM NO

DIMENSIONS: 単位: mm 		TOLERANCES UNLESS OTHERWISE SPECIFIED: 一般公差 10 > : ±0.2 30 > : ±0.25 100 > : ±0.3 ANGLE : ±5°		DWN: K.SHIGA 23APR01 CHK: Y.FUJIIWARA 23APR01 APVD: K.SASAI 23APR01 PRODUCT SPEC: 108-5673 APPLICATION SPEC:		WIRE RANGE: 適合電線新規格 INSULATION DIA: 被覆外径	
MATERIAL: 材料 SEE TABLE		FINISH: 仕上 SEE TABLE		WEIGHT: 35.0g CUSTOMER DRAWING		NAME: 040111 HIGH DENSITY CONNECTOR 94 POSITIONS CAP HOUSING ASSEMBLY (B TYPE) Tyco Electronics AMP K.K. Kawasaki, Japan SIZE: A2 CAGE CODE: 00779 DRAWING NO: 1473181 RESTRICTED	