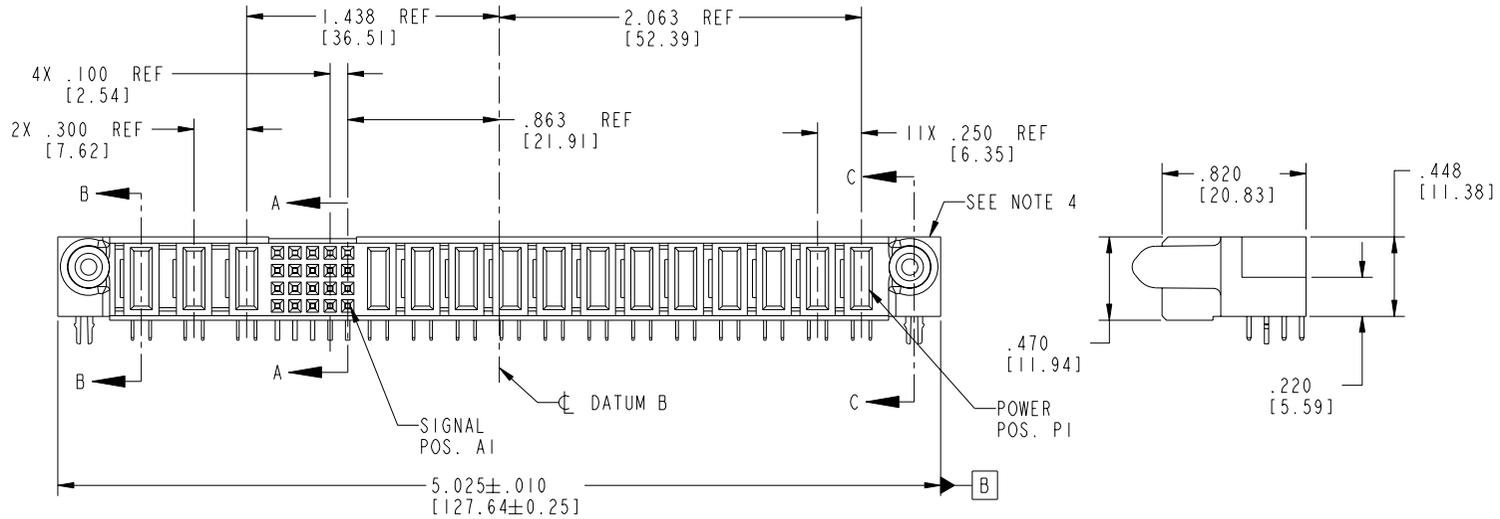


Tous droits strictement réservés. Reproduction ou communication a des tiers interdite sous quelque forme que ce soit sans autorisation écrite du propriétaire. Propriété de c FCI. Droits de reproduction FCI.

All rights strictly reserved. Reproduction or issue to third parties in any form whatever is not permitted without written authority from the proprietor. Property of FCI. Copyright FCI.

PRODUCT NO.	ROWS	POWER			SIGNAL					POWER										E1			
		E2	P15	P14	P13	5	4	3	2	1	P12	P11	P10	P9	P8	P7	P6	P5	P4		P3	P2	P1
51915-033-- NOTE:3	D C B A		PC	PC	PA	H G F E	H G F E	H G F E	H G F E	PC	PC	PC	PC	PC	PC	PC	PC	PC	PC	PC	PC	PC	



CODE	DIM "M" MATING LENGTH	CONTACT TYPE
E	N/A [N/A]	SIGNAL
F	N/A [N/A]	SIGNAL
G	N/A [N/A]	SIGNAL
H	N/A [N/A]	SIGNAL
PA	.042 [1.07]	POWER
PC	.092 [2.34]	POWER
HA	N/A [N/A]	HOLD-DOWN

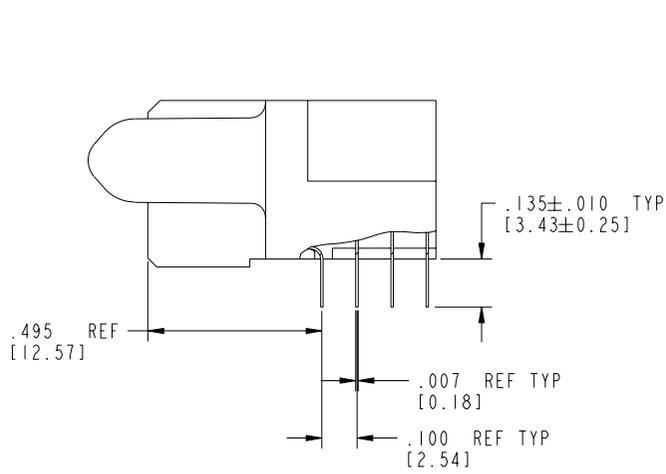
mat'l code SEE NOTE 2				tolerances unless otherwise specified		CUSTOMER		FCI www.fciconnect.com	
ltr	ecn no.	dr	date	linear	projection	COPY		title	
A	V03-0959	TAB	08/28/03	.XXX±.005/0.XX±0.13	⊕	12P + 20S + 3ACP		R/A SOLDER RECEPTACLE	
B	DG05-0370	CS	09/30/05	.XXX±.0020/0.XX±0.051	⊕	product family PwrBlade		code 213	
				angles 0°±2°	INCH/MM	size		sheet	
				dr T. BRUNGARD 08/28/03	scale 1:1	51915-033		1 of 4	
				enr M. MOSTOLLER 08/28/03					
				chr M. MOSTOLLER 08/28/03					
				appd M. MOSTOLLER 08/28/03					
sheet index	revision sheet	B 1	B 2	B 3	B 4				

cage code 22526 4

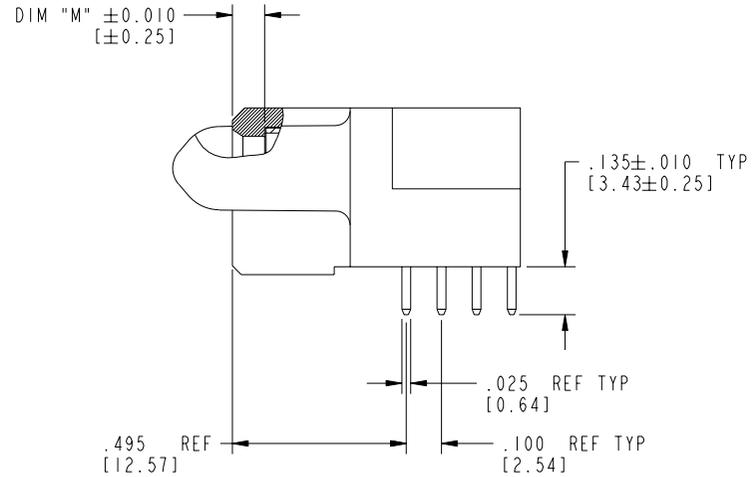
Tous droits strictement réservés. Reproduction ou communication a des tiers interdite sous quelque forme que ce soit sans autorisation écrite du propriétaire. Propriété de c FCI. Droits de reproduction FCI.

All rights strictly reserved. Reproduction or issue to third parties in any form whatever is not permitted without written authority from the proprietor. Property of FCI. Copyright FCI.

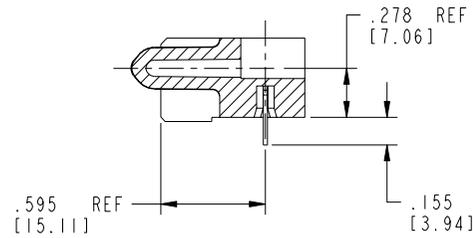
PRODUCT NUMBER
51915-033__
NOTE: 3



BROKEN-OUT SECTION A-A
SCALE: 2:1



BROKEN-OUT SECTION B-B
SCALE: 2:1



SECTION C-C

mat'l code		SEE NOTE 2		tolerances unless otherwise specified		CUSTOMER		 www.fciconnect.com	
ltr	ecn no.	dr	date	linear	.XX±.01/0.XX±0.3	COPY		projection	
B					.XXX±.005/0.XX±0.13			title 12P + 20S + 3ACP R/A SOLDER RECEPTACLE	
				angles	.XXX±.0020/0.XXX±0.051			product family PwrBlade	
				dr	0°±2°	INCH/MM		size	
				enr	T. BRUNGARD 08/28/03	scale 1:1		dwg no 51915-033	
				chr	M. MOSTOLLER 08/28/03			sheet 2 of 4	
				appd	M. MOSTOLLER 08/28/03			cage code 22526	
sheet index	revision sheet								

Pro/E

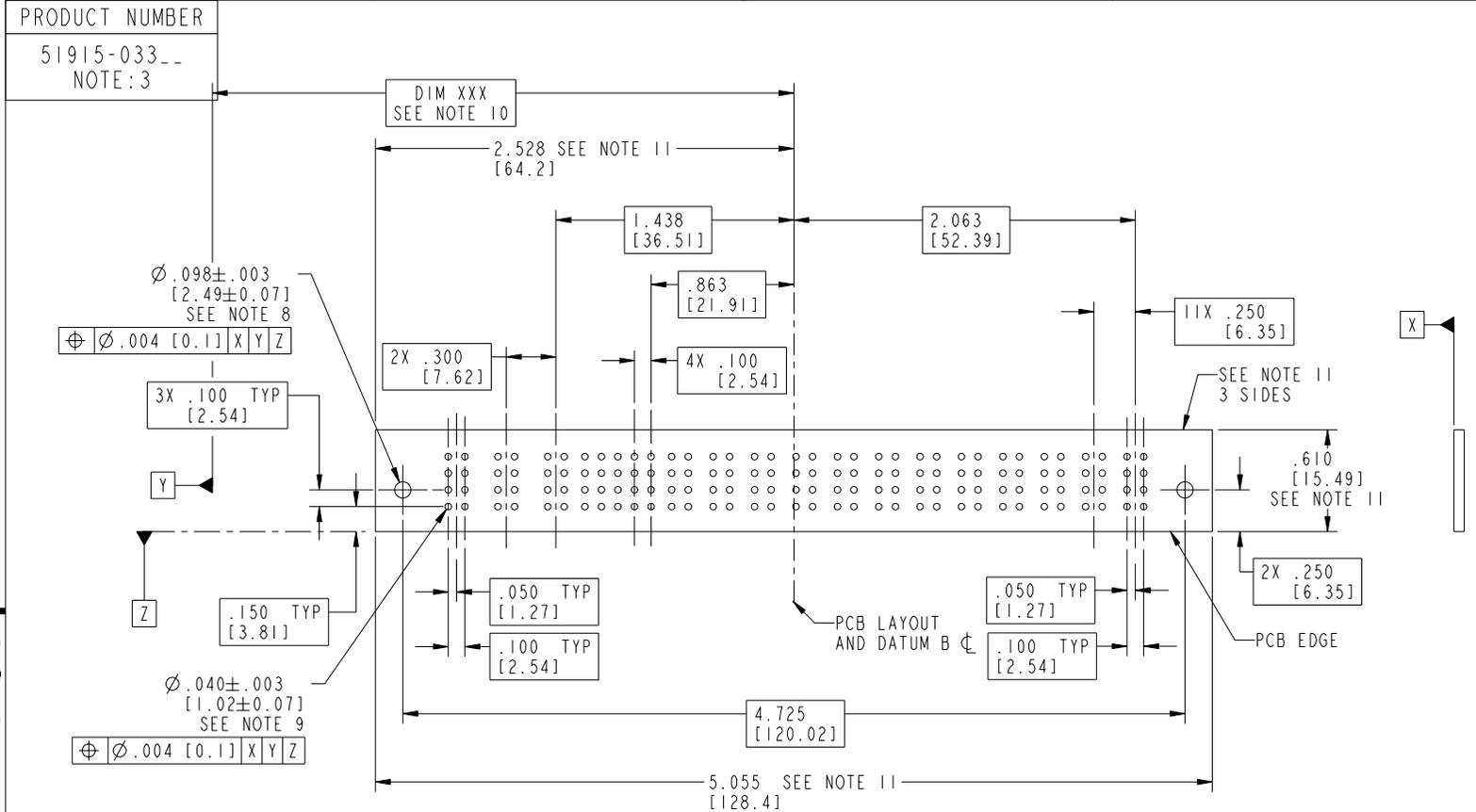
PDM: Rev:B

STATUS: Released

Printed: Dec 20, 2010

Tous droits strictement réservés. Reproduction ou communication a des tiers interdite sous quelque forme que ce soit sans autorisation écrite du propriétaire. Propriété de c FCI. Droits de reproduction FCI.

All rights strictly reserved. Reproduction or issue to third parties in any form whatever is not permitted without written authority from the proprietor. Property of FCI. Copyright FCI.



mat'l code SEE NOTE 2				tolerances unless otherwise specified		CUSTOMER		 www.fciconnect.com	
ltr	ecn no.	dr	date	linear	.XX±.01/0.X±0.3	COPY		projection	
B					.XXX±.005/0.XX±0.13			title 12P + 20S + 3ACP R/A SOLDER RECEPTACLE	
				angles	.XXX±.0020/0.XX±0.051			product family PwrBlade code 213	
				dr	0° ± 2°	INCH/MM		size dwg no 51915-033	
				enrg	T. BRUNGARD 08/28/03	scale 1:1		sheet 3 of 4	
				chr	M. MOSTOLLER 08/28/03				
				appd	M. MOSTOLLER 08/28/03				
sheet index	revision sheet								

cage code 22526 4

Pro/E

Tous droits strictement réservés. Reproduction ou communication à des tiers interdite sous quelque forme que ce soit sans autorisation écrite du propriétaire. Propriété de c FCI. Droits de reproduction FCI.

All rights strictly reserved. Reproduction or issue to third parties in any form whatever is not permitted without written authority from the proprietor. Property of FCI. Copyright FCI.

PRODUCT NUMBER
51915-033_
NOTE: 3

NOTES:
1. DIMENSIONS AND TOLERANCES ARE IN ACCORDANCE WITH ASME Y14.5M, 1994 UNLESS OTHERWISE SPECIFIED.

CONNECTOR NOTES:
② HOUSING MATERIAL: UL 94 V-0 GLASS FILLED
HIGH-TEMP THERMOPLASTIC
POWER CONTACT MATERIAL: COPPER ALLOY
SIGNAL PIN MATERIAL: COPPER ALLOY

3. PLATING:
51915-033 Singal Pin: 30u"/0.76um Au OVER 50u"/1.27um Ni ON THE CONTACT AREA,
AND 100u"/2.54um SnPb PLATING OVER 50u"/1.27um Ni ON THE TERMINATION SECTION.
Power Pin: 30u"/0.76um Au OVER 50u"/1.27um Ni ON THE CONTACT AREA,
AND 100u"/2.54um SnPb PLATING OVER 50u"/1.27um Ni ON THE TERMINATION SECTION.
51915-033LF Singal Pin: 30u"/0.76um Au OVER 50u"/1.27um Ni ON THE CONTACT AREA,
AND 78u"/2.00um Sn PLATING OVER 50u"/1.27um Ni ON THE TERMINATION SECTION.
Power Pin: 30u"/0.76um Au OVER 50u"/1.27um Ni ON THE CONTACT AREA,
AND 78u"/2.00um Sn PLATING OVER 50u"/1.27um Ni ON THE TERMINATION SECTION.

PART NUMBER 51915-033LF MEETS EUROPEAN UNION DIRECTIVE AND OTHER COUNTRY REGULATIONS AS DESCRIBED IN GS-22-008.
THE HOUSING WILL WITHSTAND EXPOSURE TO 260° PEAK TEMPERATURE FOR 10 SECONDS IN A WAVE SOLDER APPLICATION WITH A CIRCUIT BOARD.

④ MANUFACTURER'S NAME, P/N, AND DATE CODE TO APPEAR ON THIS SURFACE.
5. PRODUCT SPECIFICATION GS-12-149.
APPLICATION SPECIFICATION BUS-20-067.

6. PACKAGED IN TRAYS.
PCB NOTES:
7. ALL HOLE DIAMETERS ARE FINISHED HOLE SIZE.

⑧ MOUNTING HOLES, WHERE APPLICABLE, ARE UNPLATED.
⑨ $\varnothing .0453 \pm .0010$ [1.151 ± 0.025] DRILLED HOLES PLATED WITH .0003 [0.008] MIN SnPb OVER .001 [0.03] TO .003 [0.08] Cu PLATING TO ACHIEVE $\varnothing .040 \pm .003$ [1.02 ± .07] HOLE.

⑩ "DIM XXX" TO BE DETERMINED BY THE CUSTOMER.
⑪ CONNECTOR KEEP-OUT ZONE.

mat'l code				SEE NOTE 2		tolerances unless otherwise specified		CUSTOMER		 www.fciconnect.com	
ltr	ecn no.	dr	date	linear	.XX±.01/0.X±0.3		COPY		projection	title	
B					.XXX±.005/0.XX±0.13					12P + 20S + 3ACP R/A SOLDER RECEPTACLE	
				angles	.XXXX±.0020/0.XXX±0.051		INCH/MM		product family	code	
					0 ± 2°		1:1			PwrBlade	213
				dr	T. BRUNGARD	08/28/03	scale		size	dwg no	sheet
				enr	M. MOSTOLLER	08/28/03	A		51915-033	4 of 4	
				chr	M. MOSTOLLER	08/28/03					
				appd	M. MOSTOLLER	08/28/03					
sheet index	revision sheet										

cage code 22526 4