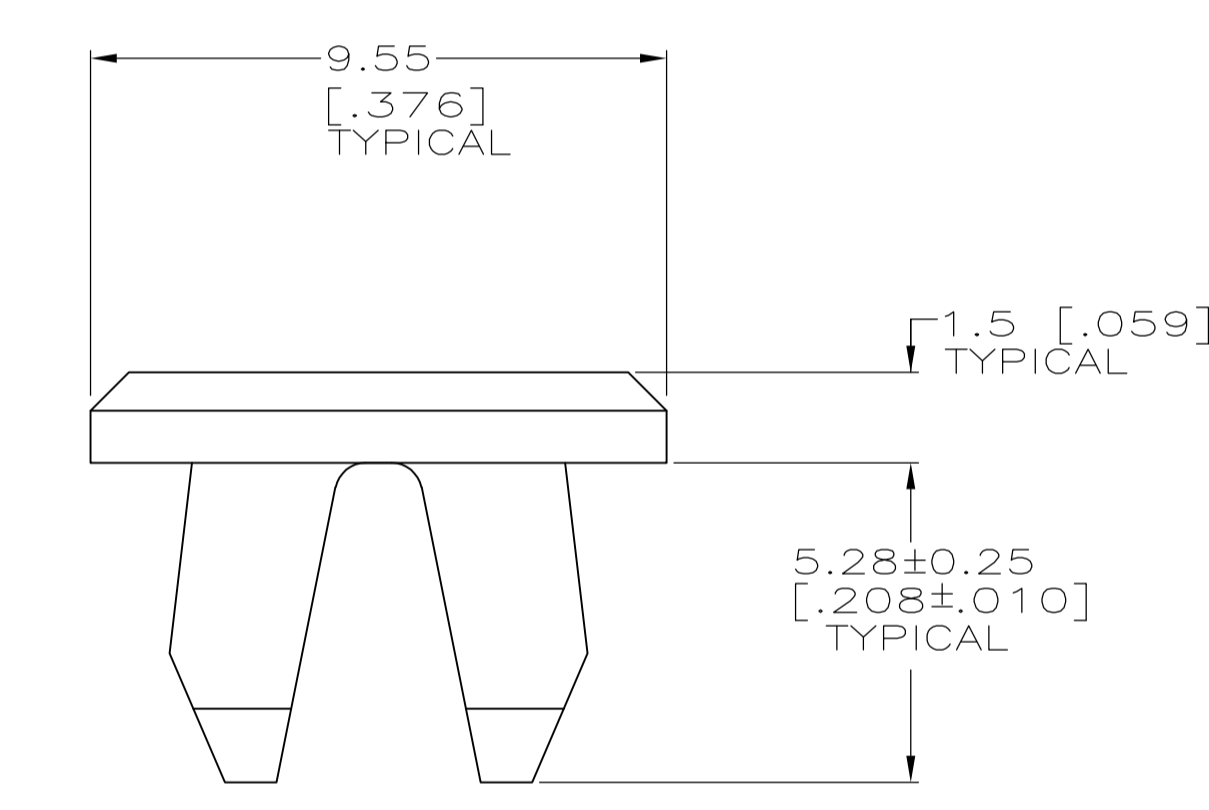
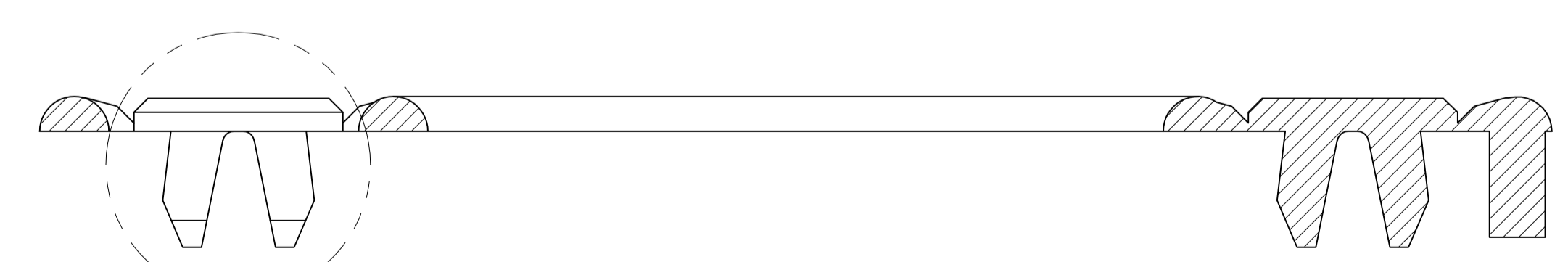


1 MATERIAL: POLYPHENYLENE OXIDE 94V-0 RATED. SEE TABLE FOR COLOR.

2 MATERIAL: POLYCARBONATE MOLDING COMPOUND. SEE TABLE FOR COLOR.



DETAIL A
SCALE 8:1



SEE DETAIL A

1	AQUA	1-1375092-5
	BROWN	1-1375092-4
2	ALPINE WHITE	1-1375092-3
1	ROSE	1-1375092-2
	ELECTRIC IVORY	1-1375092-1
	NEMA GRAY	1-1375092-0
	VIOLET	1375092-9
	WHITE	1375092-8
	ORANGE	1375092-7
2	BLACK	1375092-6
	YELLOW	1375092-5
	BLUE	1375092-4
	GREEN	1375092-3
	RED	1375092-2
	LIGHT ALMOND	1375092-1
	MATERIAL	COLOR
		PART NO.

THIS DRAWING IS A CONTROLLED DOCUMENT.

DIMENSIONS: mm [INCHES]	TOLERANCES UNLESS OTHERWISE SPECIFIED: 0. PLC ± - 1. PLC ± - 2. PLC ± 0.25 [.01] 3. PLC ± 0.13 [.005] 4. PLC ± - ANGLES ± -	FINISH -	DWG G. GARRETT CHK G. ROWMAN APVD G. ROWMAN	DEMARCO	DEMARCO	DEMARCO	DEMARCO	NAME ICON WHEEL, VOICE, DATA, CATEGORY
MATERIAL			SIZE	CAGE CODE	DRAWING NO.	RESTRICTED TO	WEIGHT	
			A1	00779	1375092			
			CUSTOMER DRAWING	SCALE 4:1	SHEET 1 of 1	REV E		

STC TE Connectivity