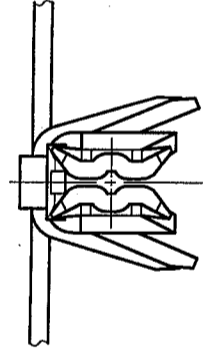
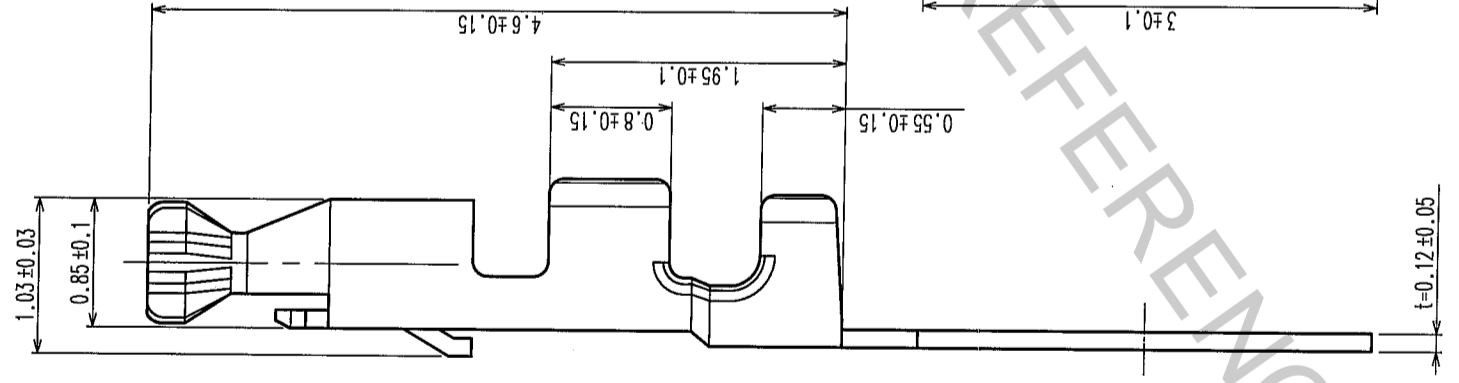


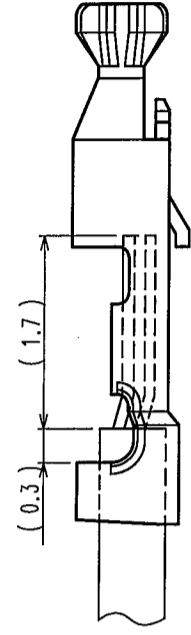
COUNT	DESCRIPTION OF REVISIONS	BY	CHKD	DATE	COUNT	DESCRIPTION OF REVISIONS	BY	CHKD	DATE
△					△				
△					△				
△					△				



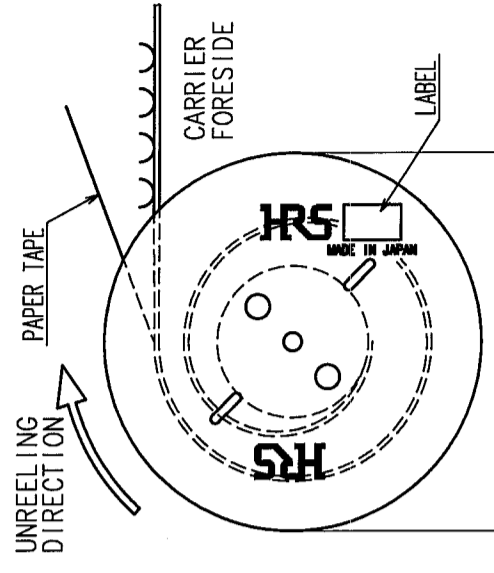
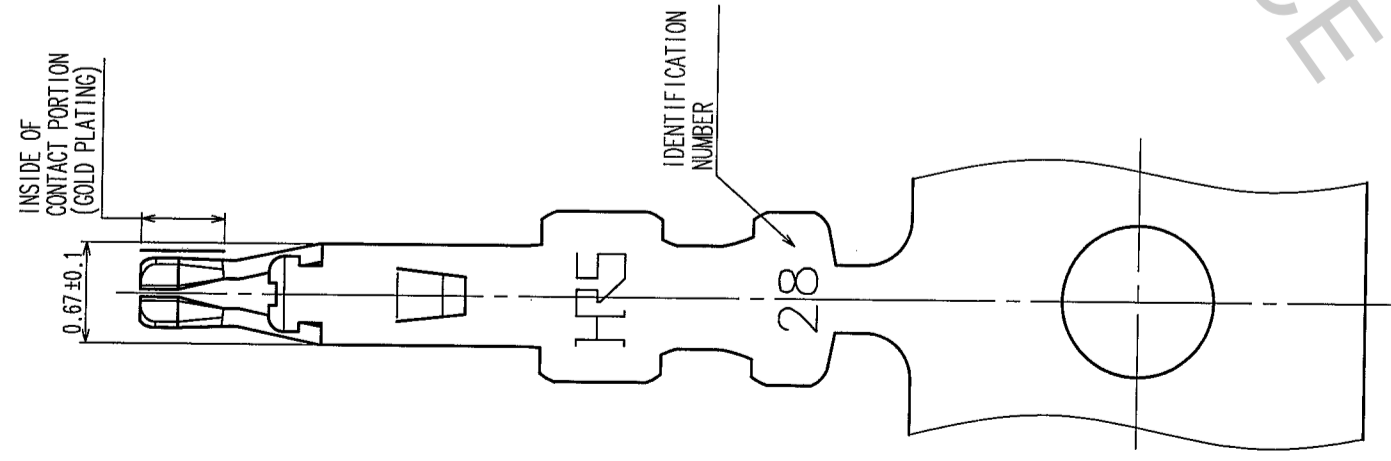
INSIDE OF CONTACT PORTION (GOLD PLATING)



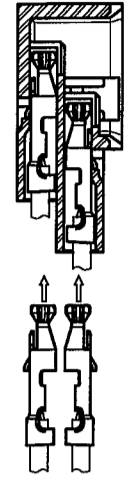
CRIMPED CONDITION



- NOTES
- 1RL=20000 PIN.
 - 2: APPLICABLE INSULATOR OUTER DIA=φ0.60mm MAX.
 - 3: CONTACT PLATING SPECIFICATION
CONTACT AREA: GOLD PLATED 0.1μm min.
OUTSIDE OF BARREL: TIN PLATED 0.5μm min.
UNDER PLATING: NICKEL PLATED 0.5μm min.
 - 4: REEL SPECIFICATIONS AREAS SHOWN BELOW.



5: DIRECTION OF CONTACT INSTALLATION INTO SOCKET IS AS SHOWN BELOW.



φ1.0±0.08

TO	

NO.	MATERIAL	FINISH, REMARKS	PHOSPHOR BRONZE	FINISH, REMARKS
1			3	

NO.	MATERIAL	FINISH, REMARKS	DESIGNED	CHECKED	APPROVED	RELEASED
			F. Matsuki	A. Yamashita	J. Oka	
			'05.06.16	'05.06.16	'05.06.17	'05.06.20

DRAWING NO.	PART NO.
EDC3-301572-01	DF24-2830SCFA
SCALE	CODE NO.
20 : 1	CL687-3001-1
UNITS	
mm	