

1

2

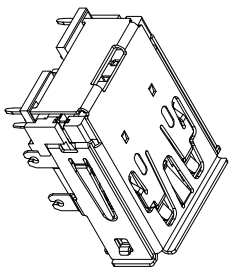
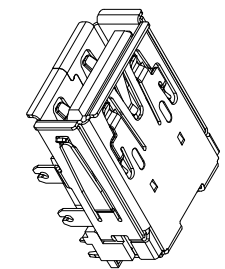
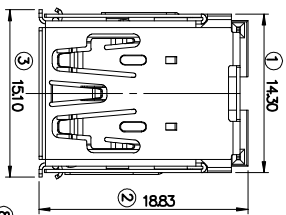
3

4

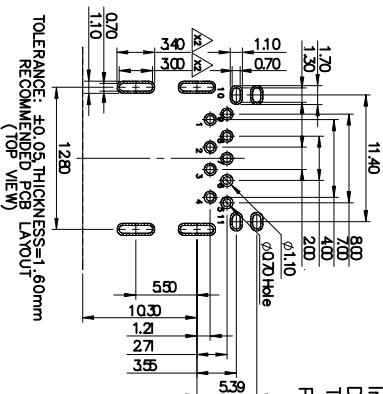
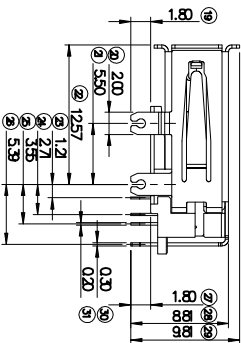
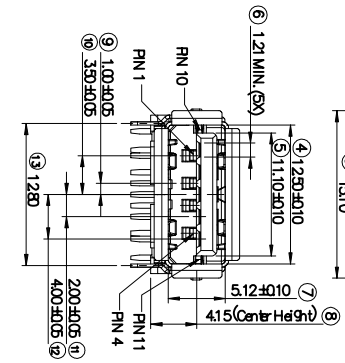
5

6

7

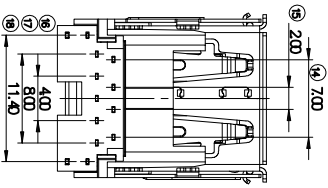


SPECIFICATION
MATERIAL Thermoplastic, rated UL94V-0Blue
Insulator: Thermoplastic, rated UL94V-0Blue
Contacts: Copper Alloy
Shell: Steel
CONTACT PLATING
Underplate: 80u" Nickel
Contact area: 30u" Pd-Ni+2u" Gold
Solder tails area: 100u"~200u" Tin (Lead Free)
ELECTRICAL
Current rating: 1.8 Amps max.
Contact resistance: 30 mΩ (Max) initial for Vbus and GND contacts.
 50 mΩ (Max) initial for all other contacts.
Insulation resistance: 100 Mohms min @ 100 DAC
Dielectric withstanding voltage: 100 VAC / minute
Temperature range: -20°C TO +85°C
PACKING STYLE: TRAY



Pin Assignments

| Pin Number | Signal Name |
|------------|------------------|
| 1 | VBUS |
| 2 | D- |
| 3 | D+ |
| 4 | GND |
| 5 | StDA_SSRX- |
| 6 | StDA_SSRX+ |
| 7 | GND_DRAIN |
| 8 | StDA_SSTX- |
| 9 | StDA_SSTX+ |
| 10 | PD DETECT |
| 11 | INSERTION DETECT |



RoHS compliant
 Unit: mm

Scale Free

TOLERANCE

X. ±0.50

X.X ±0.30

X.XX ±0.20

DIM TOL

X.° ±5°

Angle TOL

| Id. | Modification | Date | Name |
|-----|--------------|------------|--------|
| ① | Drawn | 11.03.2015 | Winnie |

Customer-No.

ASSMANN WSW-No.

AUSB1-AFN-BTP1

Date

11.03.2015

Name

Winnie

Drawing-No.

ASS 6770 CO

rev00

Replace Sheet

1

2

3

4

5

6

7

SV3725