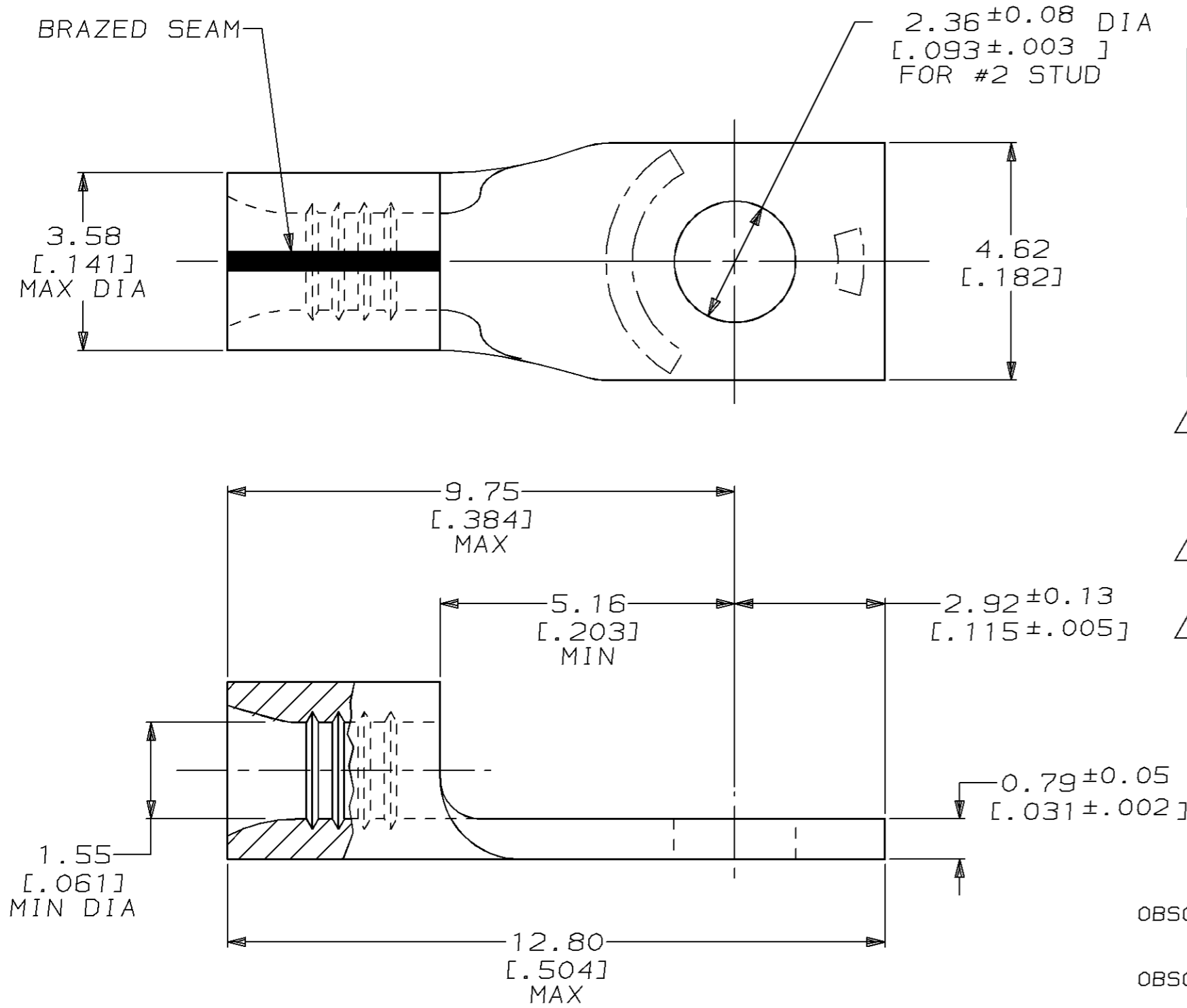


THIS DRAWING IS UNPUBLISHED. RELEASED FOR PUBLICATION ,19 .
 © COPYRIGHT 19 BY AMP INCORPORATED. ALL RIGHTS RESERVED.

| LOC | DIST | REVISIONS | | | | | |
|-----|------|-----------|-----|--------------------------------|---------|-----|------|
| | | P | LTR | DESCRIPTION | DATE | DWN | APVD |
| G | 14 | | E | REACT & REDWN PER 0720-0869-96 | 14FEB96 | DKS | MJS |



| | |
|--------------------------------|--------------------------------|
| AMP WIRE RANGE | E13288 Listed |
| 22-16 AWG SOLID OR STRANDED | 22-16 AWG SOLID OR STRANDED |
| LR7189 Certified | MILITARY P/N AND CLASS |
| 22-16 AWG SOLID OR STRANDED | NOT APPLICABLE |

- ① STAMP AMP 22-18* 1-2 APPROX AS SHOWN
22-16 TERMINALS ARE STAMPED WITH 22-18 IN
ACCORDANCE WITH MILITARY SPEC MIL-T-7928
COMMERCIAL WIRE RANGE IS 22-16
- ② TIN PL 0.00254 [.000100] MIN THK
PER MIL-T-10727
- ③ GOLD PL 0.00254 [.000100] MIN THK
PER MIL-G-45204 OVER NICKEL PL
0.00127 [.000050] MIN THK PER QQ-N-290

| | | | | |
|----------|-----|--------------|-----------------------|------------|
| OBSOLETE | ② | 5000 | MOUNTED ON TAPE, REEL | 2-324576-2 |
| OBSOLETE | ③ | - | LOOSE PIECE | 324576-1 |
| OBSOLETE | ② | - | LOOSE PIECE | 324576 |
| FINISH | QTY | PACKAGE TYPE | AMP PART NUMBER | |

AMP INCORPORATED
CUSTOMER SERVICE SYSTEMS

| | | |
|--|--|---|
| FOR ADDITIONAL PRODUCT INFORMATION OR COPIES OF DRAWINGS AND TECHNICAL DOCUMENTS | PRODUCT INFORMATION CENTER 1-800-522-6752 | RECOMMENDED OPERATING TEMPERATURE: 170° MAX |
| FOR APPLICATION TOOLING INFORMATION | TOOLING ASSISTANCE CENTER 1-800-722-1111 | VOLTAGE RATING: NOT APPLICABLE |
| FOR ORDER ENTRY | 1-800-526-5142 | WIRE CROSS SECTIONAL AREA RANGE: 0.26-1.65mm ² [509-3,260] CIR MILS STRANDED |

THIS DRAWING IS A CONTROLLED DOCUMENT FOR AMP INCORPORATED. IT IS SUBJECT TO CHANGE AND THE CONTROLLING ENGINEERING ORGANIZATION SHOULD BE CONTACTED FOR THE LATEST REVISION.

| | |
|--|--|
| DIMENSIONS, mm [INCHES] | TOLERANCES UNLESS OTHERWISE SPECIFIED: |
| | 0 PLC ±- |
| | 1 PLC ±- |
| | 2 PLC ±0.20 [.008] |
| | 3 PLC ±- |
| | 4 PLC ±- |
| | ANGLES ±- |
| MATERIAL COPPER PER ASTM B-152 ANNEALED | FINISH SEE TABLE |

| | |
|-------------------------------|---|
| DWN DK SCHRUM 14FEB96 | AMP AMP Incorporated Harrisburg, PA 17105-3608 |
| CHK MJ SPICER 19FEB96 | |
| APVD JL MECKLEY 19FEB96 | |
| PRODUCT SPEC | |
| APPLICATION SPEC | NAME TERMINAL, RECTANGULAR TONGUE, SOLISTRAND™, WIRE SIZE: 22-16 AWG |
| WEIGHT | SIZE A3 |
| CUSTOMER DRAWING | CAGE CODE 00779 |
| | DRAWING NO C-324576 |
| | SCALE 10:1 |
| | SHEET 1 OF 1 |
| | REV E |