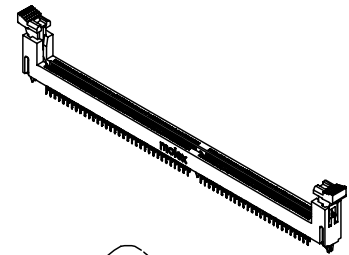
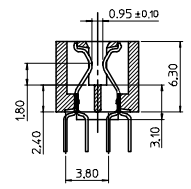
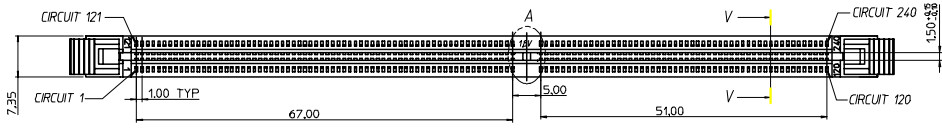
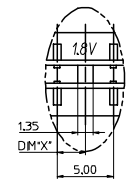
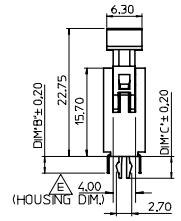
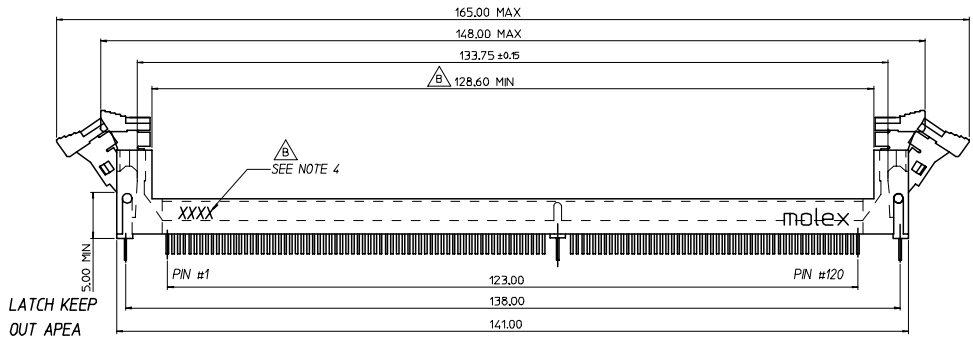


10 9 8 7 6 5 4 3 2 1

F



E

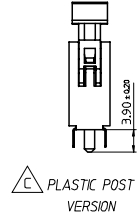
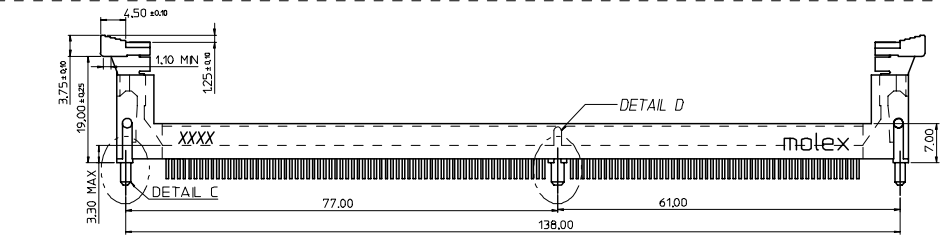


KEY LOCATION	VOLTAGE	DIM.'X'
CENTER	1.8V	2.50

KEY LOCATION	DIM.'B'	DIM.'C'	PCB THK
CENTER 1.8V	2.67	3.94	1.57
CENTER 1.8V	3.18	4.60	2.36

D

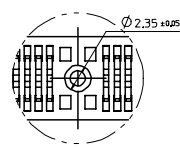
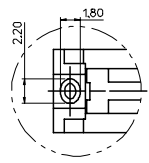
LATCH KEEP OUT APEA



NOTES:

- MATERIAL:
 - HOUSING: SEE TABLE, GLASS FIBER FILLED UL94V-0, COLOR: SEE TABLE.
 - LATCH: GLASS FIBER FILLED UL94V-0, COLOR: SEE TABLE.
 - BOARDLOCK: BRASS
 - CONTACT: PHOSPHOR BRONZE.
- PLATING:
 - CONTACT AREA: GOLD PLATED, THICKNESS SEE TABLE.
 - SOLDER TAIL: 100 MICRONCH TIN OVER NICKEL OVERALL APPEARANCE: SEE TABLE.
 - FORKLOCK: 100 MICRONCH TIN OVER NICKEL OVERALL
- VOLTAGE: 1.8V
- DATE CODE= XXXX : YYWW
- PRODUCT SPECIFICATION REFER TO PS-48206-001.
- PACKAGING SPECIFICATION REFER TO PK-48206-001.
- TEST SUMMARY: REFER TO TS-48206-001.
- LEAD-FREE AND ROHS COMPLIANCE PRODUCT.

C



DETAIL C (2:1)

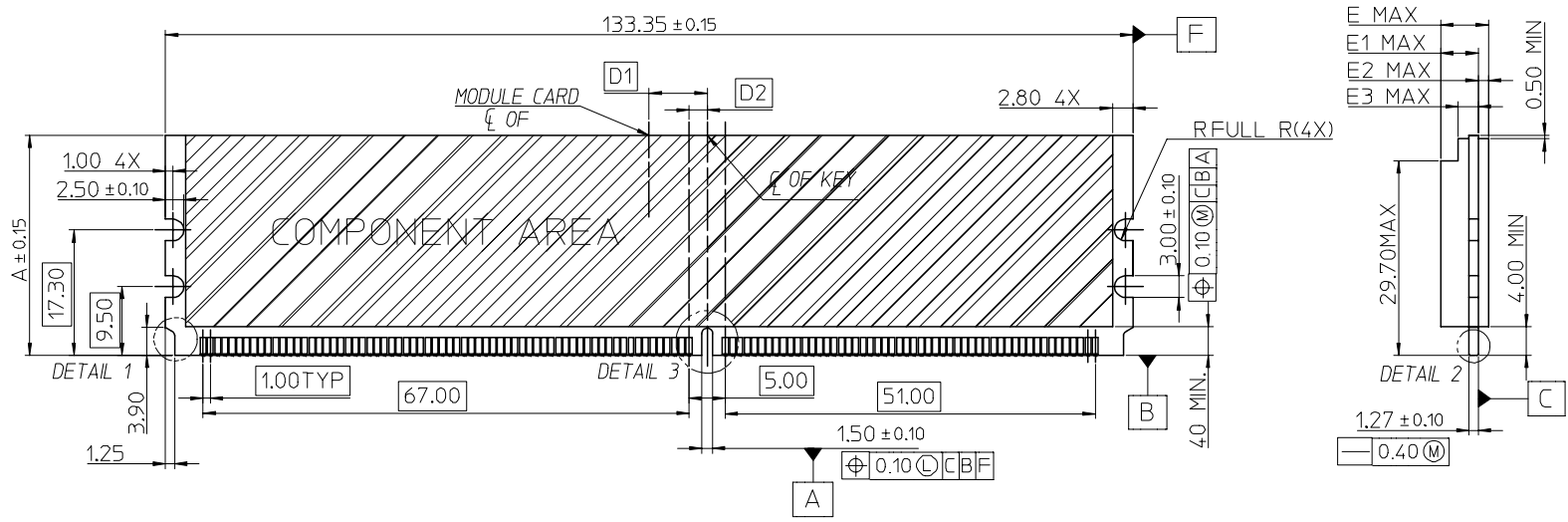
DETAIL D (2:1)

B

A

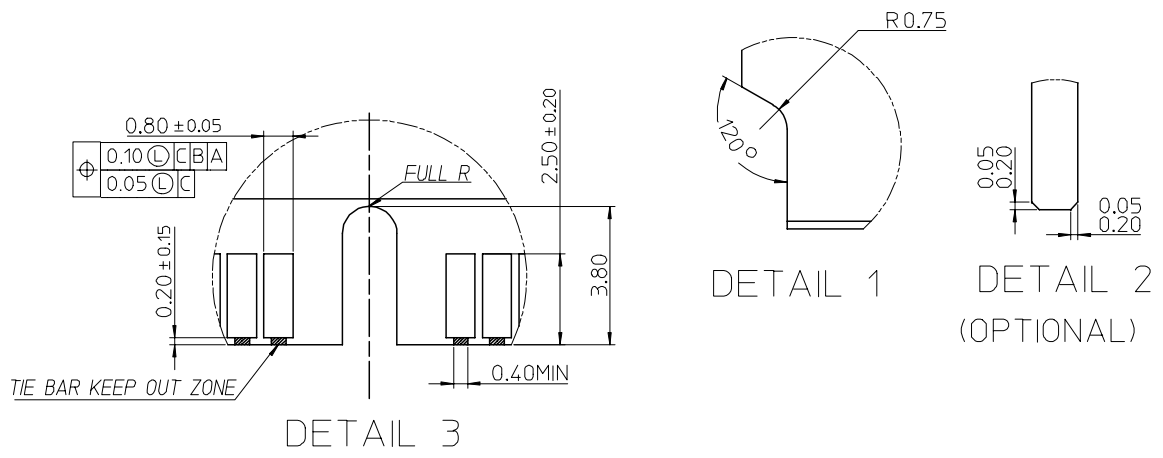
REVISED FOR TYPO EC NO: SH2008-0027 DRWN: ALLIN 2007/07/13 CHKD: 2007/07/13 APPR: WWSCHANG 2007/07/13	QUALITY SYMBOLS	GENERAL TOLERANCES (UNLESS SPECIFIED) mm INCH 4 PLACES ± --- ± --- 3 PLACES ± --- ± --- 2 PLACES ± 0.25 ± --- 1 PLACE ± 0.25 ± --- ANGULAR ± 3 °	DIMENSION STYLE	SCALE	DESIGN UNITS	THIRD ANGLE PROJECTION
			MM ONLY	1:1	METRIC	
			DRAWN BY	DATE	TITLE	
			ALLEN LIN	2005/03/27	1.0MM PITCH FB DIMM 240 CKTS VERTICAL SOCKET	
	DESCRIPTION		MATERIAL NO.	DOCUMENT NO.	SHEET NO.	
			SEE ATBLE	SD-48206-001	1 OF 6	
			DRAFT WHERE APPLICABLE MUST REMAIN WITHIN DIMENSIONS			
			THIS DRAWING CONTAINS INFORMATION THAT IS PROPRIETARY TO MOLEX INCORPORATED AND SHOULD NOT BE USED WITHOUT WRITTEN PERMISSION			

9 8 7 6 5 4 3 2 1

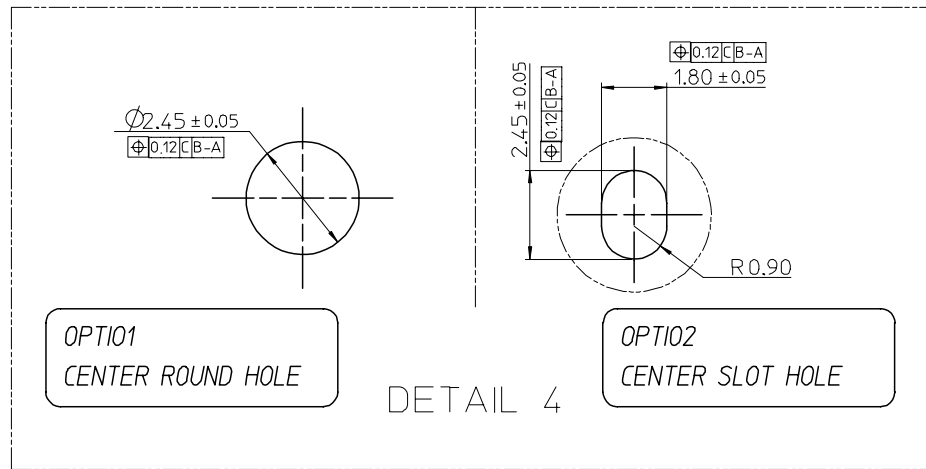
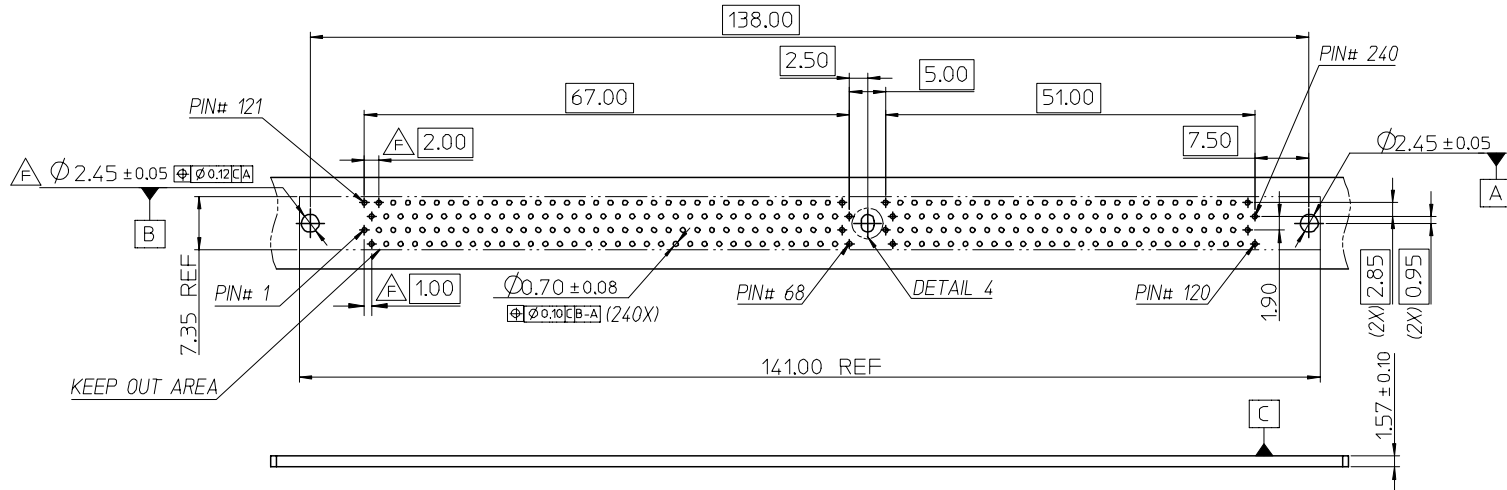


VAR	AB
A	30.35
D1	8.00 BASIC
D2	2.50 BASIC
E	8.20 MAX
E1	6.80 MAX
E2	1.40 MAX
E3	2.80 MAX

NOTES:
1. TOLERANCE ON ALL DIMENS ± 0.15
UNLESS OTHERWISE NOTED



SEE SHEET 1 EC NO: SH2008-0027 DRWN: ALLIN CHKD: APPR: WISCHANG	2007/07/13 2007/07/13 2007/07/13	DESCRIPTION QUALITY SYMBOLS ▽=0 ▽=0	GENERAL TOLERANCES (UNLESS SPECIFIED)		DIMENSION STYLE	SCALE	DESIGN UNITS	THIRD ANGLE PROJECTION		
					MM ONLY	1:1	METRIC			
					DRAWN BY DATE		TITLE			
					TOM 2005/03/26		1.0MM PITCH FB DIMM 240 CKTS VERTICAL SOCKET			
		CHECKED BY DATE		APPROVED BY DATE		MOLEX		MOLEX INCORPORATED		
		ALLEN LIN 2005/03/27		WILSON 2005/03/27		DOCUMENT NO.		SHEET NO.		
				MATERIAL NO.		SD-48206-001		2 OF 6		
		DRAFT WHERE APPLICABLE MUST REMAIN WITHIN DIMENSIONS		SEE TABLE						
				SIZE A3		THIS DRAWING CONTAINS INFORMATION THAT IS PROPRIETARY TO MOLEX INCORPORATED AND SHOULD NOT BE USED WITHOUT WRITTEN PERMISSION				



SEE SHEET 1 EC NO: SH2008-0027 DRWN: ALLIN CHKD: APPR: WISCHANG	2007/07/13 2007/07/13 2007/07/13	DESCRIPTION REV	QUALITY SYMBOLS	GENERAL TOLERANCES (UNLESS SPECIFIED)	DIMENSION STYLE	SCALE	DESIGN UNITS	THIRD ANGLE PROJECTION																		
			$\nabla=0$ $\triangle=0$	<table border="1"> <thead> <tr> <th></th> <th>mm</th> <th>INCH</th> </tr> </thead> <tbody> <tr> <td>4 PLACES</td> <td>± ---</td> <td>± ---</td> </tr> <tr> <td>3 PLACES</td> <td>± ---</td> <td>± ---</td> </tr> <tr> <td>2 PLACES</td> <td>± 0.25</td> <td>± ---</td> </tr> <tr> <td>1 PLACE</td> <td>± 0.25</td> <td>± ---</td> </tr> <tr> <td colspan="3">ANGULAR ± 3 °</td> </tr> </tbody> </table>		mm	INCH	4 PLACES	± ---	± ---	3 PLACES	± ---	± ---	2 PLACES	± 0.25	± ---	1 PLACE	± 0.25	± ---	ANGULAR ± 3 °			MM ONLY	1:1	METRIC	
				mm	INCH																					
			4 PLACES	± ---	± ---																					
3 PLACES	± ---	± ---																								
2 PLACES	± 0.25	± ---																								
1 PLACE	± 0.25	± ---																								
ANGULAR ± 3 °																										
			<table border="1"> <tr> <td>DRAWN BY</td> <td>DATE</td> <td>TITLE</td> </tr> <tr> <td>TOM</td> <td>2005/03/26</td> <td>1.0MM PITCH FB DIMM</td> </tr> <tr> <td>CHECKED BY</td> <td>DATE</td> <td>240 CKTS VERTICAL SOCKET</td> </tr> <tr> <td>ALLEN LIN</td> <td>2005/03/27</td> <td></td> </tr> <tr> <td>APPROVED BY</td> <td>DATE</td> <td></td> </tr> <tr> <td>WILSON</td> <td>2005/03/27</td> <td></td> </tr> </table>	DRAWN BY	DATE	TITLE	TOM	2005/03/26	1.0MM PITCH FB DIMM	CHECKED BY	DATE	240 CKTS VERTICAL SOCKET	ALLEN LIN	2005/03/27		APPROVED BY	DATE		WILSON	2005/03/27						
DRAWN BY	DATE	TITLE																								
TOM	2005/03/26	1.0MM PITCH FB DIMM																								
CHECKED BY	DATE	240 CKTS VERTICAL SOCKET																								
ALLEN LIN	2005/03/27																									
APPROVED BY	DATE																									
WILSON	2005/03/27																									
			DRAFT WHERE APPLICABLE MUST REMAIN WITHIN DIMENSIONS	SEE TABLE	MOLEX INCORPORATED	DOCUMENT NO. SD-48206-001	SHEET NO. 3 OF 6																			

MOLEX P/N	HOUSING MATERIAL	HOUSING COLOR	LATCH COLOR	ALIGN MODE	CONTACT		PCB THICKNESS	SOLDER-TAIL APPEARANCE
					PLATING			
48206-0001	NYLON46/BLACK	WHITE	METAL FORK-LOCK		15 MICRONCH	157MM		
48206-0002					30 MICRONCH	157MM		
48206-0003					15 MICRONCH	2.36MM		
48206-0004					30 MICRONCH	2.36MM		
48206-0005					GOLD FLASH	157MM		
48206-0006					GOLD FLASH	2.36MM		
48206-0011	NYLON46/BLACK	WHITE	PLASTIC POST		15 MICRONCH	157MM		
48206-0012					30 MICRONCH	157MM		
48206-0013					15 MICRONCH	2.36MM		
48206-0014					30 MICRONCH	2.36MM		
48206-0015					GOLD FLASH	157MM		
48206-0016					GOLD FLASH	2.36MM		
48206-0101	NYLON46/BLACK	BLACK	METAL FORK-LOCK		15 MICRONCH	157MM	BRIGHT	
48206-0102					30 MICRONCH	157MM		
48206-0103					15 MICRONCH	2.36MM		
48206-0104					30 MICRONCH	2.36MM		
48206-0105					GOLD FLASH	157MM		
48206-0106					GOLD FLASH	2.36MM		
48206-0111	NYLON46/BLACK	BLACK	PLASTIC POST		15 MICRONCH	157MM		
48206-0112					30 MICRONCH	157MM		
48206-0113					15 MICRONCH	2.36MM		
48206-0114					30 MICRONCH	2.36MM		
48206-0115					GOLD FLASH	157MM		
48206-0116					GOLD FLASH	2.36MM		
48206-1001	NYLON46/WHITE	WHITE	METAL FORK-LOCK		15 MICRONCH	157MM		
48206-1002					30 MICRONCH	157MM		
48206-1003					15 MICRONCH	2.36MM		
48206-1004					30 MICRONCH	2.36MM		
48206-1005					GOLD FLASH	157MM		
48206-1006					GOLD FLASH	2.36MM		
48206-1011	NYLON46/WHITE	WHITE	PLASTIC POST		15 MICRONCH	157MM		
48206-1012					30 MICRONCH	157MM		
48206-1013					15 MICRONCH	2.36MM		
48206-1014					30 MICRONCH	2.36MM		
48206-1015					GOLD FLASH	157MM		
48206-1016					GOLD FLASH	2.36MM		
48206-1101	NYLON46/WHITE	BLACK	METAL FORK-LOCK		15 MICRONCH	157MM		
48206-1102					30 MICRONCH	157MM		
48206-1103					15 MICRONCH	2.36MM		
48206-1104					30 MICRONCH	2.36MM		
48206-1105					GOLD FLASH	157MM		
48206-1106					GOLD FLASH	2.36MM		
48206-1111	NYLON46/WHITE	BLACK	PLASTIC POST		15 MICRONCH	157MM		
48206-1112					30 MICRONCH	157MM		
48206-1113					15 MICRONCH	2.36MM		
48206-1114					30 MICRONCH	2.36MM		
48206-1115					GOLD FLASH	157MM		
48206-1116					GOLD FLASH	2.36MM		

MOLEX P/N	HOUSING MATERIAL	HOUSING COLOR	LATCH COLOR	ALIGN MODE	CONTACT		PCB THICKNESS	SOLDER-TAIL APPEARANCE
					PLATING			
48206-2001	NYLON46/GREEN (348C)	WHITE	METAL FORK-LOCK		15 MICRONCH	157MM		
48206-2002					30 MICRONCH	157MM		
48206-2003					15 MICRONCH	2.36MM		
48206-2004					30 MICRONCH	2.36MM		
48206-2005					GOLD FLASH	157MM		
48206-2006					GOLD FLASH	2.36MM		
48206-2011	NYLON46/GREEN (348C)	WHITE	PLASTIC POST		15 MICRONCH	157MM		
48206-2012					30 MICRONCH	157MM		
48206-2013					15 MICRONCH	2.36MM		
48206-2014					30 MICRONCH	2.36MM		
48206-2015					GOLD FLASH	157MM		
48206-2016					GOLD FLASH	2.36MM		
48206-2101	NYLON46/GREEN (348C)	BLACK	METAL FORK-LOCK		15 MICRONCH	157MM	BRIGHT	
48206-2102					30 MICRONCH	157MM		
48206-2103					15 MICRONCH	2.36MM		
48206-2104					30 MICRONCH	2.36MM		
48206-2105					GOLD FLASH	157MM		
48206-2106					GOLD FLASH	2.36MM		
48206-2111	NYLON46/GREEN (348C)	BLACK	PLASTIC POST		15 MICRONCH	157MM		
48206-2112					30 MICRONCH	157MM		
48206-2113					15 MICRONCH	2.36MM		
48206-2114					30 MICRONCH	2.36MM		
48206-2115					GOLD FLASH	157MM		
48206-2116					GOLD FLASH	2.36MM		
48206-3001	NYLON46/PURPLE (2736U)	WHITE	METAL FORK-LOCK		15 MICRONCH	157MM		
48206-3002					30 MICRONCH	157MM		
48206-3003					15 MICRONCH	2.36MM		
48206-3004					30 MICRONCH	2.36MM		
48206-3005					GOLD FLASH	157MM		
48206-3006					GOLD FLASH	2.36MM		
48206-3011	NYLON46/PURPLE (2736U)	WHITE	PLASTIC POST		15 MICRONCH	157MM		
48206-3012					30 MICRONCH	157MM		
48206-3013					15 MICRONCH	2.36MM		
48206-3014					30 MICRONCH	2.36MM		
48206-3015					GOLD FLASH	157MM		
48206-3016					GOLD FLASH	2.36MM		
48206-3101	NYLON46/PURPLE (2736U)	BLACK	METAL FORK-LOCK		15 MICRONCH	157MM		
48206-3102					30 MICRONCH	157MM		
48206-3103					15 MICRONCH	2.36MM		
48206-3104					30 MICRONCH	2.36MM		
48206-3105					GOLD FLASH	157MM		
48206-3106					GOLD FLASH	2.36MM		
48206-3111	NYLON46/PURPLE (2736U)	BLACK	PLASTIC POST		15 MICRONCH	157MM		
48206-3112					30 MICRONCH	157MM		
48206-3113					15 MICRONCH	2.36MM		
48206-3114					30 MICRONCH	2.36MM		
48206-3115					GOLD FLASH	157MM		
48206-3116					GOLD FLASH	2.36MM		

SEE SHEET 1 EC NO: SH2008-0027 DRWN:ALLIN 2007/07/13 CHKD: 2007/07/13 APPR:WMSCHANG 2007/07/13	QUALITY SYMBOLS ▽=0 ◁=0	GENERAL TOLERANCES (UNLESS SPECIFIED)		DIMENSION STYLE MM ONLY		SCALE 1:1	DESIGN UNITS METRIC	THIRD ANGLE PROJECTION					
						DRAWN BY TOM		DATE 2005/03/26		TITLE 1.0MM PITCH FB DIMM 240 CKTS VERTICAL SOCKET			
						CHECKED BY ALLEN LIN		DATE 2005/03/27		APPROVED BY WILSON		DATE 2005/03/27	
						APPROVED BY WILSON		DATE 2005/03/27		MATERIAL NO.		DOCUMENT NO. SD-48206-001	
DRAFT WHERE APPLICABLE MUST REMAIN WITHIN DIMENSIONS				SEE TABLE				SHEET NO. 4 OF 6					
THIS DRAWING CONTAINS INFORMATION THAT IS PROPRIETARY TO MOLEX INCORPORATED AND SHOULD NOT BE USED WITHOUT WRITTEN PERMISSION													

MOLEX P/N	HOUSING MATERIAL	HOUSING COLOR	LATCH COLOR	ALIGN MODE	CONTACT		PCB THICKNESS	SOLDER-TAIL APPEARANCE
					PLATING			
48206-4001	NYLON46/BLUE (287U)	WHITE	METAL FORK-LOCK		15 MICRONCH	1.57MM	BRIGHT	
48206-4002					30 MICRONCH	1.57MM		
48206-4003					15 MICRONCH	2.36MM		
48206-4004					30 MICRONCH	2.36MM		
48206-4005					GOLD FLASH	1.57MM		
48206-4006	NYLON46/BLUE (287U)	WHITE	PLASTIC POST		GOLD FLASH	2.36MM		
48206-4011					15 MICRONCH	1.57MM		
48206-4012					30 MICRONCH	1.57MM		
48206-4013					15 MICRONCH	2.36MM		
48206-4014					30 MICRONCH	2.36MM		
48206-4015	GOLD FLASH	1.57MM						
48206-4016	NYLON46/BLUE (287U)	BLACK	METAL FORK-LOCK		GOLD FLASH	2.36MM		
48206-4101					15 MICRONCH	1.57MM		
48206-4102					30 MICRONCH	1.57MM		
48206-4103					15 MICRONCH	2.36MM		
48206-4104					30 MICRONCH	2.36MM		
48206-4105	GOLD FLASH	1.57MM						
48206-4106	NYLON46/BLUE (287U)	BLACK	PLASTIC POST		GOLD FLASH	2.36MM		
48206-4111					15 MICRONCH	1.57MM		
48206-4112					30 MICRONCH	1.57MM		
48206-4113					15 MICRONCH	2.36MM		
48206-4114					30 MICRONCH	2.36MM		
48206-4115	GOLD FLASH	1.57MM						
48206-4116	NYLON66/BLACK	WHITE	METAL FORK-LOCK		GOLD FLASH	2.36MM		
48206-5001					15 MICRONCH	1.57MM		
48206-5002					30 MICRONCH	1.57MM		
48206-5003					15 MICRONCH	2.36MM		
48206-5004					30 MICRONCH	2.36MM		
48206-5005	NYLON66/BLACK	WHITE	PLASTIC POST		GOLD FLASH	1.57MM		
48206-5006					15 MICRONCH	1.57MM		
48206-5011					30 MICRONCH	1.57MM		
48206-5012					15 MICRONCH	2.36MM		
48206-5013					30 MICRONCH	2.36MM		
48206-5014	NYLON66/BLACK	BLACK	METAL FORK-LOCK		GOLD FLASH	1.57MM		
48206-5015					15 MICRONCH	1.57MM		
48206-5016					GOLD FLASH	2.36MM		
48206-5101					15 MICRONCH	1.57MM		
48206-5102					30 MICRONCH	1.57MM		
48206-5103	NYLON66/BLACK	BLACK	PLASTIC POST		15 MICRONCH	2.36MM		
48206-5104					30 MICRONCH	2.36MM		
48206-5105					GOLD FLASH	1.57MM		
48206-5106					GOLD FLASH	2.36MM		
48206-5111					15 MICRONCH	1.57MM		
48206-5112	NYLON66/BLACK	BLACK	PLASTIC POST		30 MICRONCH	1.57MM		
48206-5113					15 MICRONCH	2.36MM		
48206-5114					30 MICRONCH	2.36MM		
48206-5115					GOLD FLASH	1.57MM		
48206-5116					GOLD FLASH	2.36MM		

MOLEX P/N	HOUSING MATERIAL	HOUSING COLOR	LATCH COLOR	ALIGN MODE	CONTACT		PCB THICKNESS	SOLDER-TAIL APPEARANCE
					PLATING			
48206-6001	NYLON66/WHITE	WHITE	METAL FORK-LOCK		15 MICRONCH	1.57MM	BRIGHT	
48206-6002					30 MICRONCH	1.57MM		
48206-6003					15 MICRONCH	2.36MM		
48206-6004					30 MICRONCH	2.36MM		
48206-6005					GOLD FLASH	1.57MM		
48206-6006	NYLON66/WHITE	WHITE	PLASTIC POST		GOLD FLASH	2.36MM		
48206-6011					15 MICRONCH	1.57MM		
48206-6012					30 MICRONCH	1.57MM		
48206-6013					15 MICRONCH	2.36MM		
48206-6014					30 MICRONCH	2.36MM		
48206-6015	GOLD FLASH	1.57MM						
48206-6016	NYLON66/WHITE	BLACK	METAL FORK-LOCK		GOLD FLASH	2.36MM		
48206-6101					15 MICRONCH	1.57MM		
48206-6102					30 MICRONCH	1.57MM		
48206-6103					15 MICRONCH	2.36MM		
48206-6104					30 MICRONCH	2.36MM		
48206-6105	GOLD FLASH	1.57MM						
48206-6106	NYLON66/WHITE	BLACK	PLASTIC POST		GOLD FLASH	2.36MM		
48206-6111					15 MICRONCH	1.57MM		
48206-6112					30 MICRONCH	1.57MM		
48206-6113					15 MICRONCH	2.36MM		
48206-6114					30 MICRONCH	2.36MM		
48206-6115	GOLD FLASH	1.57MM						
48206-6116	NYLON66/GREEN (348C)	WHITE	METAL FORK-LOCK		GOLD FLASH	2.36MM		
48206-7001					15 MICRONCH	1.57MM		
48206-7002					30 MICRONCH	1.57MM		
48206-7003					15 MICRONCH	2.36MM		
48206-7004					30 MICRONCH	2.36MM		
48206-7005	NYLON66/GREEN (348C)	WHITE	PLASTIC POST		GOLD FLASH	1.57MM		
48206-7006					15 MICRONCH	1.57MM		
48206-7011					30 MICRONCH	1.57MM		
48206-7012					15 MICRONCH	2.36MM		
48206-7013					30 MICRONCH	2.36MM		
48206-7014	NYLON66/GREEN (348C)	BLACK	METAL FORK-LOCK		GOLD FLASH	1.57MM		
48206-7015					15 MICRONCH	1.57MM		
48206-7016					GOLD FLASH	2.36MM		
48206-7101					15 MICRONCH	1.57MM		
48206-7102					30 MICRONCH	1.57MM		
48206-7103	NYLON66/GREEN (348C)	BLACK	PLASTIC POST		15 MICRONCH	2.36MM		
48206-7104					30 MICRONCH	2.36MM		
48206-7105					GOLD FLASH	1.57MM		
48206-7106					GOLD FLASH	2.36MM		
48206-7111					15 MICRONCH	1.57MM		
48206-7112	NYLON66/GREEN (348C)	BLACK	PLASTIC POST		30 MICRONCH	1.57MM		
48206-7113					15 MICRONCH	2.36MM		
48206-7114					30 MICRONCH	2.36MM		
48206-7115					GOLD FLASH	1.57MM		
48206-7116					GOLD FLASH	2.36MM		

SEE SHEET 1	2007/07/13	2007/07/13	2007/07/13
EC NO: SH2008-0027	DRWN:ALLIN	CHKD:	APPR:WMSCHANG
REV	DESCRIPTION	QUALITY SYMBOLS	
		▽=0	
		△=0	

GENERAL TOLERANCES (UNLESS SPECIFIED)	
4 PLACES	± 0.25
3 PLACES	± 0.25
2 PLACES	± 0.25
1 PLACE	± 0.25
ANGULAR ± 3°	
DRAFT WHERE APPLICABLE MUST REMAIN WITHIN DIMENSIONS	

DIMENSION STYLE	
MM ONLY	
DRAWN BY	DATE
TOM	2005/03/26
CHECKED BY	DATE
ALLEN LIN	2005/03/27
APPROVED BY	DATE
WILSON	2005/03/27
MATERIAL NO.	
SEE TABLE	
SIZE	
A3	

SCALE	DESIGN UNITS	THIRD ANGLE PROJECTION
1:1	METRIC	
TITLE		
1.0MM PITCH FB DIMM		
240 CKTS VERTICAL SOCKET		
MOLEX INCORPORATED		
DOCUMENT NO.		SHEET NO.
SD-48206-001		5 OF 6
THIS DRAWING CONTAINS INFORMATION THAT IS PROPRIETARY TO MOLEX INCORPORATED AND SHOULD NOT BE USED WITHOUT WRITTEN PERMISSION		

10 9 8 7 6 5 4 3 2 1

F

E

D

C

B

A

F

E

D

C

B

A

MOLEX P/N	HOUSING MATERIAL	HOUSING COLOR	LATCH COLOR	ALIGN MODE	CONTACT		SOLDER-TAIL APPEARANCE
					PLATING	PCB THICKNESS	
48206-8001	NYLON66/PURPLE (2736U)	WHITE	METAL FORK-LOCK	METAL FORK-LOCK	15 MICRONCH	157MM	BRIGHT
48206-8002					30 MICRONCH	157MM	
48206-8003					15 MICRONCH	2.36MM	
48206-8004					30 MICRONCH	2.36MM	
48206-8005					GOLD FLASH	157MM	
48206-8006					GOLD FLASH	2.36MM	
48206-8011	NYLON66/PURPLE (2736U)	WHITE	PLASTIC POST	PLASTIC POST	15 MICRONCH	157MM	
48206-8012					30 MICRONCH	157MM	
48206-8013					15 MICRONCH	2.36MM	
48206-8014					30 MICRONCH	2.36MM	
48206-8015					GOLD FLASH	157MM	
48206-8016					GOLD FLASH	2.36MM	
48206-8101	NYLON66/PURPLE (2736U)	BLACK	METAL FORK-LOCK	METAL FORK-LOCK	15 MICRONCH	157MM	
48206-8102					30 MICRONCH	157MM	
48206-8103					15 MICRONCH	2.36MM	
48206-8104					30 MICRONCH	2.36MM	
48206-8105					GOLD FLASH	157MM	
48206-8106					GOLD FLASH	2.36MM	
48206-8111	NYLON66/PURPLE (2736U)	BLACK	PLASTIC POST	PLASTIC POST	15 MICRONCH	157MM	
48206-8112					30 MICRONCH	157MM	
48206-8113					15 MICRONCH	2.36MM	
48206-8114					30 MICRONCH	2.36MM	
48206-8115					GOLD FLASH	157MM	
48206-8116					GOLD FLASH	2.36MM	
48206-9001	NYLON66/BLUE (287U)	WHITE	METAL FORK-LOCK	METAL FORK-LOCK	15 MICRONCH	157MM	
48206-9002					30 MICRONCH	157MM	
48206-9003					15 MICRONCH	2.36MM	
48206-9004					30 MICRONCH	2.36MM	
48206-9005					GOLD FLASH	157MM	
48206-9006					GOLD FLASH	2.36MM	
48206-9011	NYLON66/BLUE (287U)	WHITE	PLASTIC POST	PLASTIC POST	15 MICRONCH	157MM	
48206-9012					30 MICRONCH	157MM	
48206-9013					15 MICRONCH	2.36MM	
48206-9014					30 MICRONCH	2.36MM	
48206-9015					GOLD FLASH	157MM	
48206-9016					GOLD FLASH	2.36MM	
48206-9101	NYLON66/BLUE (287U)	BLACK	METAL FORK-LOCK	METAL FORK-LOCK	15 MICRONCH	157MM	
48206-9102					30 MICRONCH	157MM	
48206-9103					15 MICRONCH	2.36MM	
48206-9104					30 MICRONCH	2.36MM	
48206-9105					GOLD FLASH	157MM	
48206-9106					GOLD FLASH	2.36MM	
48206-9111	NYLON66/BLUE (287U)	BLACK	PLASTIC POST	PLASTIC POST	15 MICRONCH	157MM	
48206-9112					30 MICRONCH	157MM	
48206-9113					15 MICRONCH	2.36MM	
48206-9114					30 MICRONCH	2.36MM	
48206-9115					GOLD FLASH	157MM	
48206-9116					GOLD FLASH	2.36MM	

MOLEX P/N	HOUSING MATERIAL	HOUSING COLOR	LATCH COLOR	ALIGN MODE	CONTACT		SOLDER-TAIL APPEARANCE
					PLATING	PCB THICKNESS	
48206-0007	NYLON46/BLACK	WHITE	METAL FORK-LOCK	METAL FORK-LOCK	15 MICRONCH	157MM	MATT
48206-0008					15 MICRONCH	2.36MM	

SEE SHEET 1	DESCRIPTION
EC NO: SH2008-0027	2007/07/13
DRWN:ALLIN	2007/07/13
CHKD:	
APPR:WWSCHANG	2007/07/13
REV	

QUALITY SYMBOLS
▽=0
△=0

GENERAL TOLERANCES (UNLESS SPECIFIED)	DIMENSION STYLE	SCALE	DESIGN UNITS	THIRD ANGLE PROJECTION
	MM ONLY	1:1	METRIC	
	mm			
	INCH			
4 PLACES ± --- ± ---	DRAWN BY	DATE	TITLE	
3 PLACES ± --- ± ---	TOM	2005/03/26	1.0MM PITCH FB DIMM	
2 PLACES ± 0.25 ± ---	CHECKED BY	DATE	240 CKTS VERTICAL SOCKET	
1 PLACE ± 0.25 ± ---	ALLEN LIN	2005/03/27		
ANGULAR ± 3 °	APPROVED BY	DATE		
	WILSON	2005/03/27		
DRAFT WHERE APPLICABLE MUST REMAIN WITHIN DIMENSIONS	MATERIAL NO.	DOCUMENT NO.	SHEET NO.	
	SEE TABLE	SD-48206-001	6 OF 6	
	SIZE	THIS DRAWING CONTAINS INFORMATION THAT IS PROPRIETARY TO MOLEX INCORPORATED AND SHOULD NOT BE USED WITHOUT WRITTEN PERMISSION		
	A3			

9 8 7 6 5 4 3 2 1