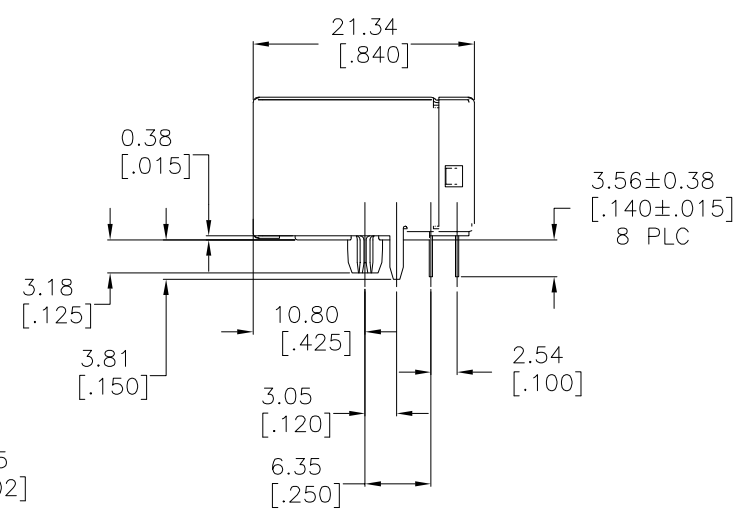
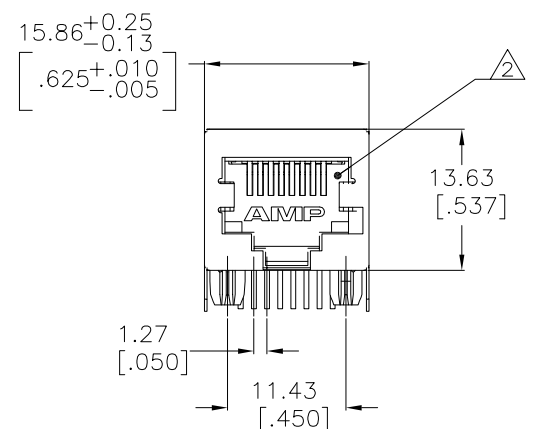
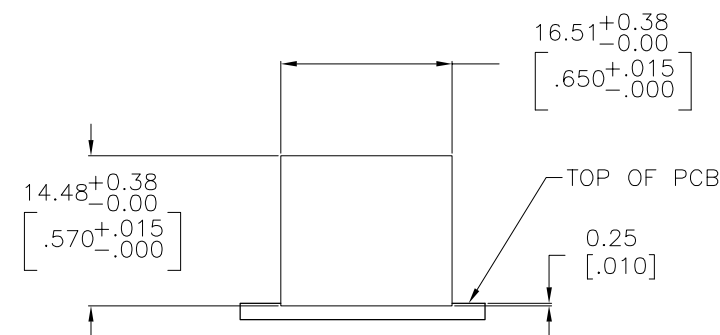
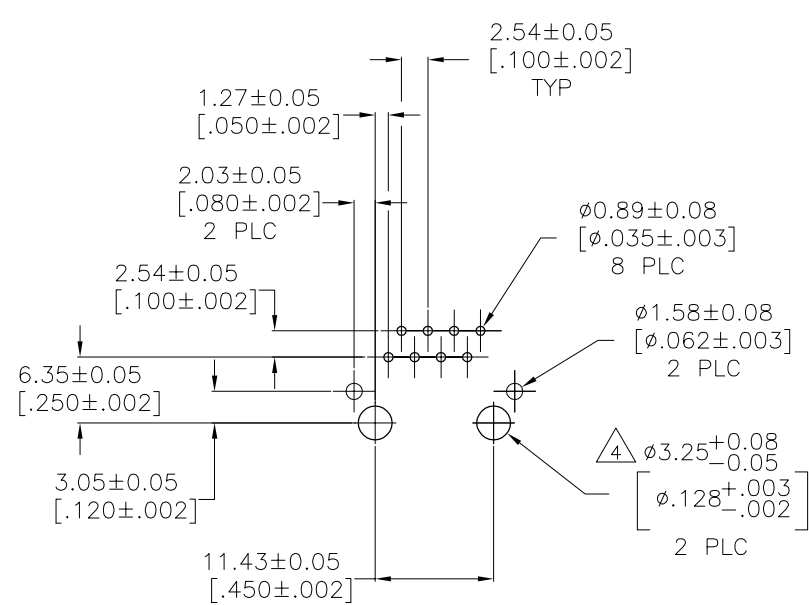


| LOC | DATE | REVISIONS |
|-----|-----------------------|-----------------|
| AA | 00 | |
| B2 | REV PER ECR-09-004284 | 16APR2009 TY SY |



- MATERIAL: HOUSING - NYLON, COLOR: BLACK, UL 94V-0. OVERMOLDED TERMINAL ARRAY - PBT, BROWN. TERMINALS - 0.33[.013] THICK PHOS BRONZE PLATED WITH 1.27um[.000050] MINIMUM HARD GOLD IN LOCALIZED AREA AND 3.81um[.000150] MINIMUM TIN IN SOLDER AREA OVER 1.27um[.000050] MINIMUM NICKEL UNDERPLATE. SHIELD - 0.254[.010] THICK COPPER ALLOY PLATED WITH 1.27um[.000050] MINIMUM NICKEL AND 2.03um[.000080] MINIMUM HOT TIN DIP ON PCB GROUND TABS.
- JACK CAVITY CONFORMS TO FCC RULES AND REGULATIONS, PART 68 SUBPART F.
- ALL DIMENSIONS SHOWN ARE NOMINAL UNLESS OTHERWISE SPECIFIED.
- USE #30 DRILL BIT OR 3.25mm DRILL BIT WHEN PRODUCING THESE PCB HOLES.
- DIELECTRIC WITHSTANDING VOLTAGE BETWEEN SHIELD AND TERMINAL IS 1500 VAC



RECOMMENDED PC BOARD LAYOUT
 COMPONENT SIDE

RECOMMENDED PANEL CUTOUT

6116526-1
 PART NUMBER

| | | | | | |
|--|--|--------------------------|------------------------------------|--|---|
| THIS DRAWING IS A CONTROLLED DOCUMENT. | | DATE: 13JAN2009 | BY: L. VARELA - CHECKED: 13JAN2009 | TYCO ELECTRONICS | Tyco Electronics Corporation Harrisburg, PA 17105-3608 |
| DRAWN BY: J. WESTMAN | | DATE: 13JAN2009 | BY: S. FLOCKINGER | NAME: MODULAR JACK ASSEMBLY, 8 POSITION, RIGHT ANGLE, LOW PROFILE, SHIELDED, PC BOARD GROUND, CATEGORY 5 | RESTRICTED TO |
| DIMENSIONS: mm (INCHES) | | PRODUCT SPEC: 108-1163-2 | APPLICATION SPEC: 114-2048 | SIZE: A1 | SCALE: 4:1 |
| MATERIAL: SEE NOTE 1 | | WEIGHT: - | FINISH: - | REV: 00779 | REV: B2 |
| CUSTOMER DRAWING | | DRAWING NO: 6116526 | | SHEET 1 OF 1 | |