

4

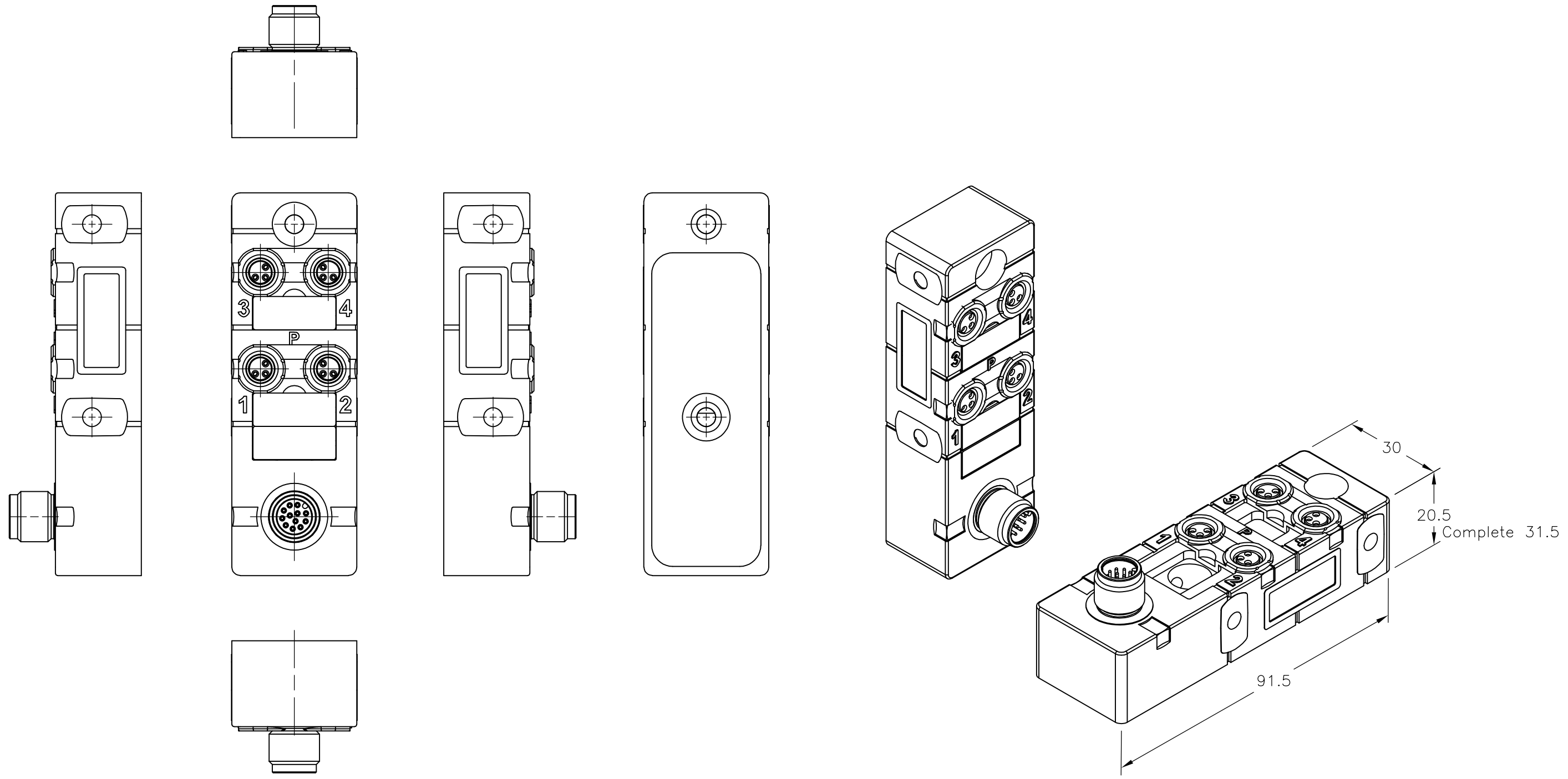
3

2

1

THIS DRAWING IS UNPUBLISHED. RELEASED FOR PUBLICATION - , - .
 © COPYRIGHT - By - ALL RIGHTS RESERVED.

LOC	DIST	REVISIONS			
P	LTR	DESCRIPTION	DATE	DWN	APVD
H	-	A	INITIAL RELEASE	14JAN2014	GSK BvH



Inline or side mounting	2273134-1
DESCRIPTION	TE PN

THIS DRAWING IS A CONTROLLED DOCUMENT.		DWN 14JAN2014 SATHISH KUMAR.G	STE TE Connectivity	
		CHK 14JAN2014 B.VELDHOVEN		
DIMENSIONS: mm		APVD 14JAN2014 A.VAN ZANDVOORT	NAME DISTR BOX M8 3POS 4WAY M12/12P CONN	
TOLERANCES UNLESS OTHERWISE SPECIFIED:		PRODUCT SPEC	-	
0 PLC ± -		APPLICATION SPEC	-	
1 PLC ± -		WEIGHT	-	
2 PLC ± -		SIZE	A3	CAGE CODE
3 PLC ± -		FINISH	00779	DRAWING NO
4 PLC ± -			G-2273134	
ANGLES ± -			RESTRICTED TO	
MATERIAL			-	
		CUSTOMER DRAWING		SCALE
				NTS
		SHEET		1 OF 2
		REV		A

4

3

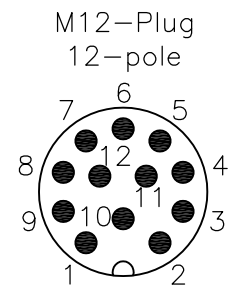
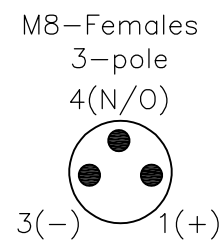
2

1

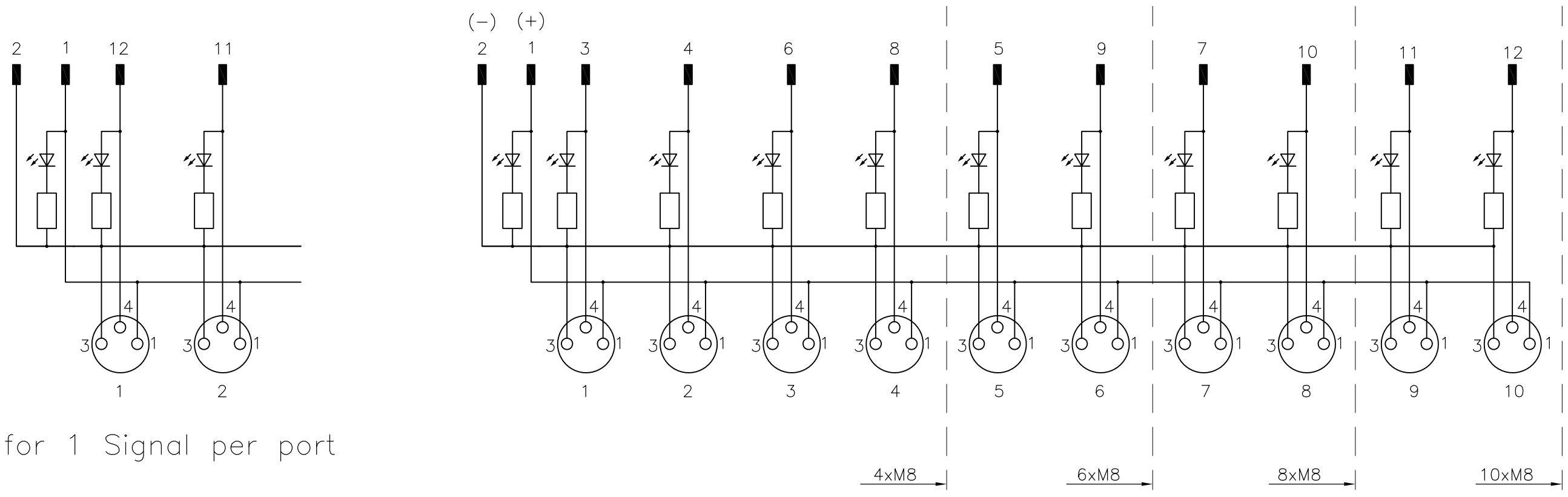
THIS DRAWING IS UNPUBLISHED. RELEASED FOR PUBLICATION
 © COPYRIGHT - By - ALL RIGHTS RESERVED.

LOC	DIST	REVISIONS					
H	-	P	LTR	DESCRIPTION	DATE	DWN	APVD
		-		SEE SHEET 1	-	-	-

Contact Layout



Circuit diagram



for 1 Signal per port

THIS DRAWING IS A CONTROLLED DOCUMENT.		DWN 14JAN2014 SATHISH KUMAR.G	TE Connectivity	
DIMENSIONS: mm		CHK 14JAN2014 B.VELDHOVEN		
TOLERANCES UNLESS OTHERWISE SPECIFIED:		APVD 14JAN2014 A.VAN ZANDVOORT	PRODUCT SPEC	RESTRICTED TO
		0 PLC ± -	APPLICATION SPEC	SIZE CAGE CODE DRAWING NO
MATERIAL		1 PLC ± -	2 PLC ± -	A3 00779 C-2273134
FINISH		3 PLC ± -	4 PLC ± -	SCALE NTS SHEET 2 OF 2 REV A
		ANGLES ± -	WEIGHT -	
			CUSTOMER DRAWING	